

EVB-MPDW-0670

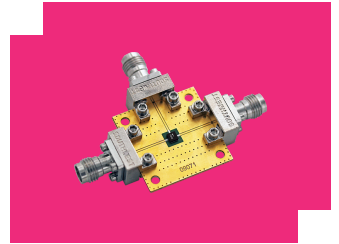
Evaluation Board, 6 - 70 GHz MMIC 2-Way Wilkinson Power Divider/Power Splitter, Side Ports

DEVICE OVERVIEW

General Description

The EVB-MPDW-0670 is a connectorized evaluation board for the MPDW-0670CSP2 MMIC 6-70GHz 2-Way power divider/power splitter.

[Download s-parameters here](#)



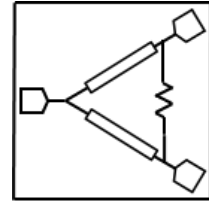
Features

- 6-70 GHz 2-way power splitter/combiner
- Excellent phase and amplitude balance
- RoHS compliant

Applications

N/A

Functional Block Diagram



Part Ordering Options

Part Number	Description	Package	Green Status	Product Lifecycle	Export Classification
MPDW-0670CSP2	6 - 70 GHz MMIC 2-Way Wilkinson Power Divider/Power Splitter, Side Ports	CSP2	REACH RoHS	Released	EAR99
EVB-MPDW-0670	Evaluation Board, 6 - 70 GHz MMIC 2-Way Wilkinson Power Divider/Power Splitter, Side Ports	EVB	RoHS	Released	EAR99

EVB-MPDW-0670

Evaluation Board, 6 - 70 GHz MMIC 2-Way

Wilkinson Power Divider/Power Splitter, Side Ports

Table Of Contents

■ **Device Overview**

General Description

Features

Applications

Functional Block Diagram

■ **Revision History**

■ **Specifications**

■ **Mechanical Data**

Outline Drawing

■ **Evaluation Board**

Evaluation Board Outline Drawing

Revision History

Revision Code	Revision Date	Comment
-	2024-02-14	Datasheet Initial Release

EVB-MPDW-0670

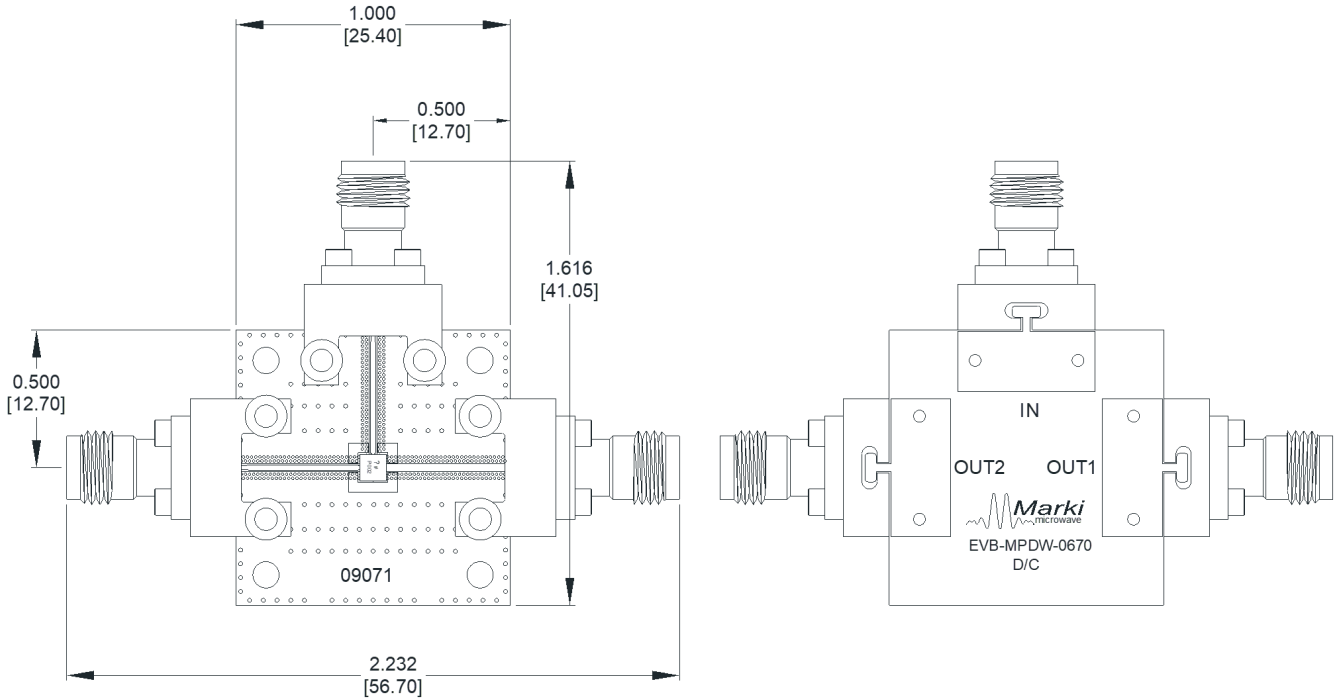
Evaluation Board, 6 - 70 GHz MMIC 2-Way
Wilkinson Power Divider/Power Splitter, Side Ports

Mechanical Data

Outline Drawing

Download : [Outline 2D Drawing](#)

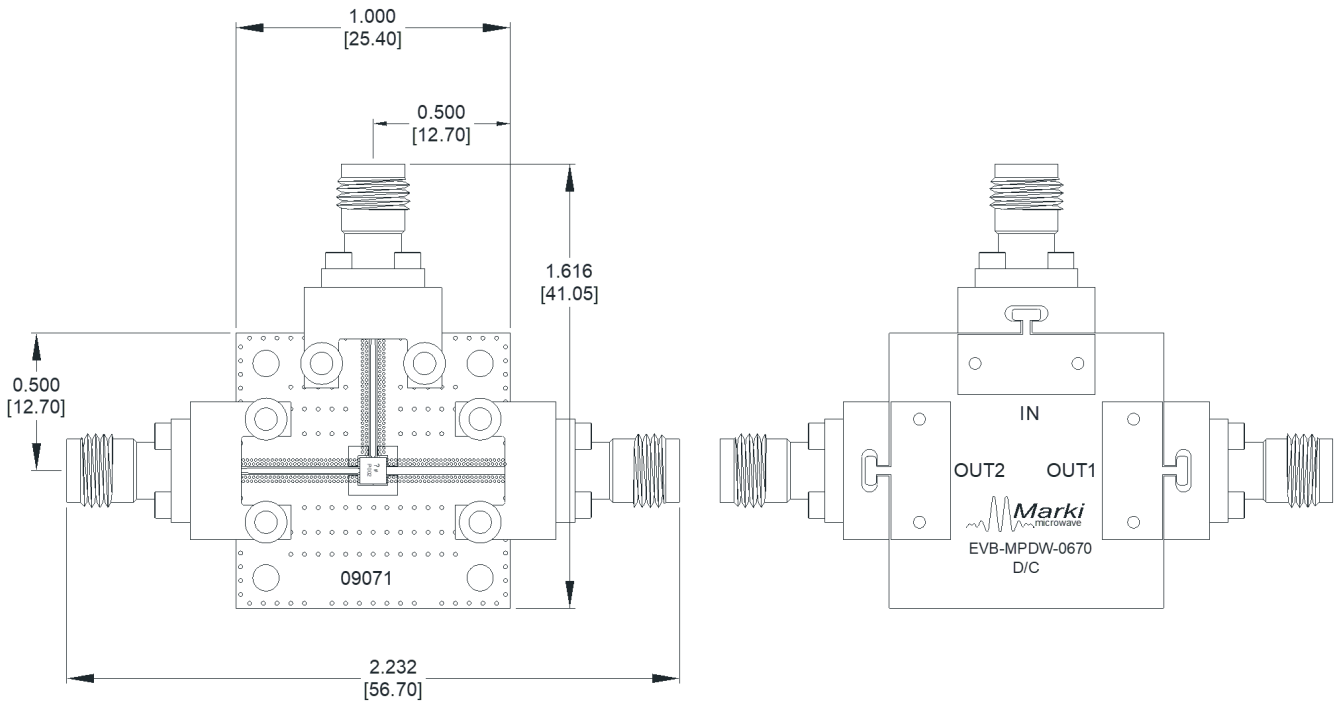
*All dimensions are typical



Port	Connector Type
1, 2, 3	1.85mm Female
Note: Connectors are not removeable.	

Evaluation Board - Outline Drawing

*All dimensions are typical



Port	Connector Type
1, 2, 3	1.85mm Female
Note: Connectors are not removeable.	

DISCLAIMER

MARKI MICROWAVE, INC., ("MARKI") PROVIDES TECHNICAL SPECIFICATIONS AND DATA (INCLUDING DATASHEETS), APPLICATION OR OTHER DESIGN ADVICE, WEB TOOLS, AND OTHER INFORMATION AND RESOURCES "AS IS" AND WITH ALL FAULTS. MARKI DISCLAIMS ALL WARRANTIES, EXPRESS OR IMPLIED, INCLUDING, WITHOUT LIMITATION, ANY IMPLIED WARRANTIES OF MERCHANTABILITY, FITNESS FOR A PARTICULAR PURPOSE, OR NON-INFRINGEMENT.

These resources are intended for developers skilled in the art designing with Marki products. You are solely responsible for (1) selecting the appropriate products for your application, (2) designing, validating, and testing your application, and (3) ensuring your application meets applicable standards and other requirements. Marki makes no guarantee regarding the suitability of its products for any particular purpose, nor does Marki assume any liability whatsoever arising out of your use or application of any Marki product.

Marki grants you permission to use these resources only for development of an application that uses Marki products. Other reproduction or use of these resources is strictly prohibited. No license is granted to any other Marki intellectual property or to any third-party intellectual property. Marki reserves the right to make changes to the product(s) or information contained herein without notice.

MARKI MICROWAVE and T3 MIXER are trademarks or registered trademarks of Marki Microwave, Inc. All other trademarks used are the property of their respective owners.

© 2024, Marki Microwave, Inc