

## EVB-ATN10-0050

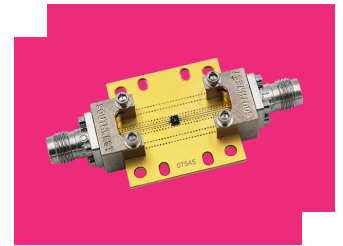
### Evaluation Board, Chip Scale Package MMIC 50 GHz 10dB Attenuator

## DEVICE OVERVIEW

### General Description

The EVB-ATN10-0050 is a connectorized evaluation board for the ATN10-0050CSP1 GaAs MMIC surface mount 50 GHz 10dB attenuator.

[Download s-parameters here](#)



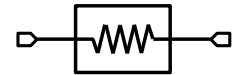
### Features

N/A

### Applications

- Test Equipment
- Precision Characterization
- High Channel Count Systems
- Amplitude Matching
- 5G transceivers

### Functional Block Diagram



## Part Ordering Options

Part Number	Description	Package	Green Status	Product Lifecycle	Export Classification
ATN10-0050CSP1	Chip Scale Package MMIC 50 GHz 10dB Attenuator	CSP1	RoHS REACH	Not Recommended for New Design	EAR99
EVB-ATN10-0050	Evaluation Board, Chip Scale Package MMIC 50 GHz 10dB Attenuator	EVB	REACH RoHS	Released	EAR99



www.markimicrowave.com

## **EVB-ATN10-0050**

**Evaluation Board, Chip Scale Package MMIC 50  
GHz 10dB Attenuator**

### **Table Of Contents**

- **Device Overview**

- General Description

- Features

- Applications

- Functional Block Diagram

- **Specifications**

- **Mechanical Data**

- Outline Drawing

- **Evaluation Board**

- Evaluation Board Outline Drawing

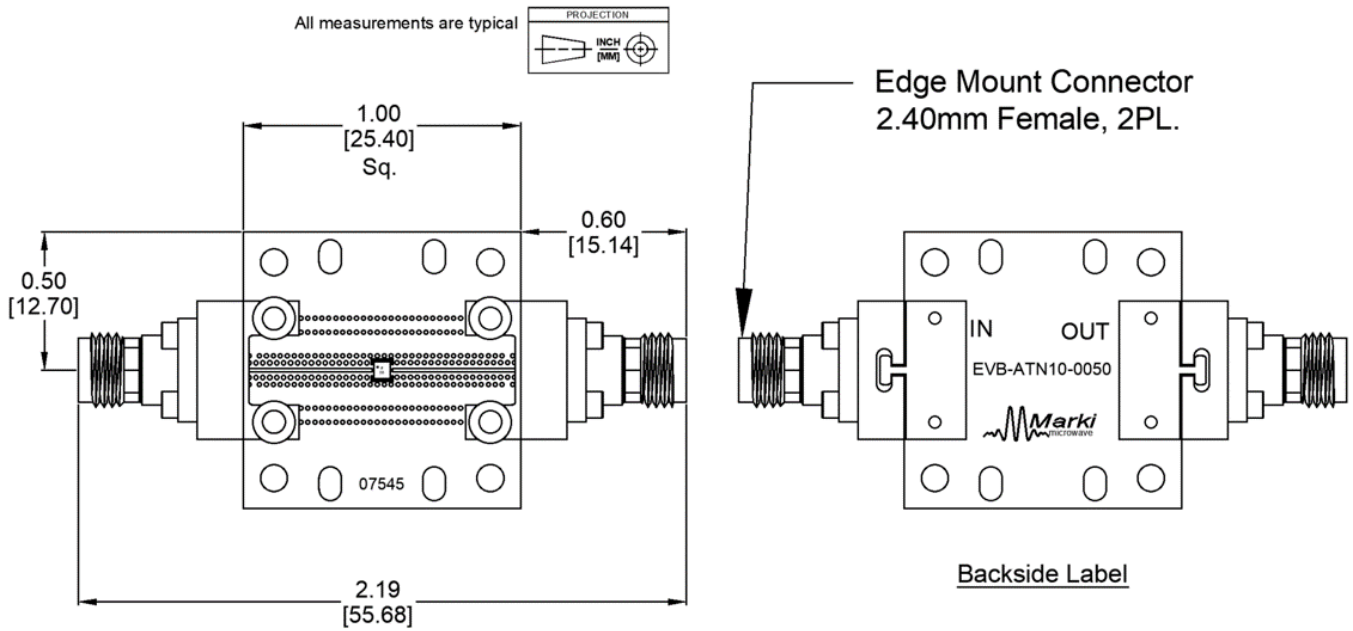
## EVB-ATN10-0050

Evaluation Board, Chip Scale Package MMIC 50 GHz 10dB Attenuator

### Mechanical Data

### Outline Drawing

Download : [Outline 2D Drawing](#)



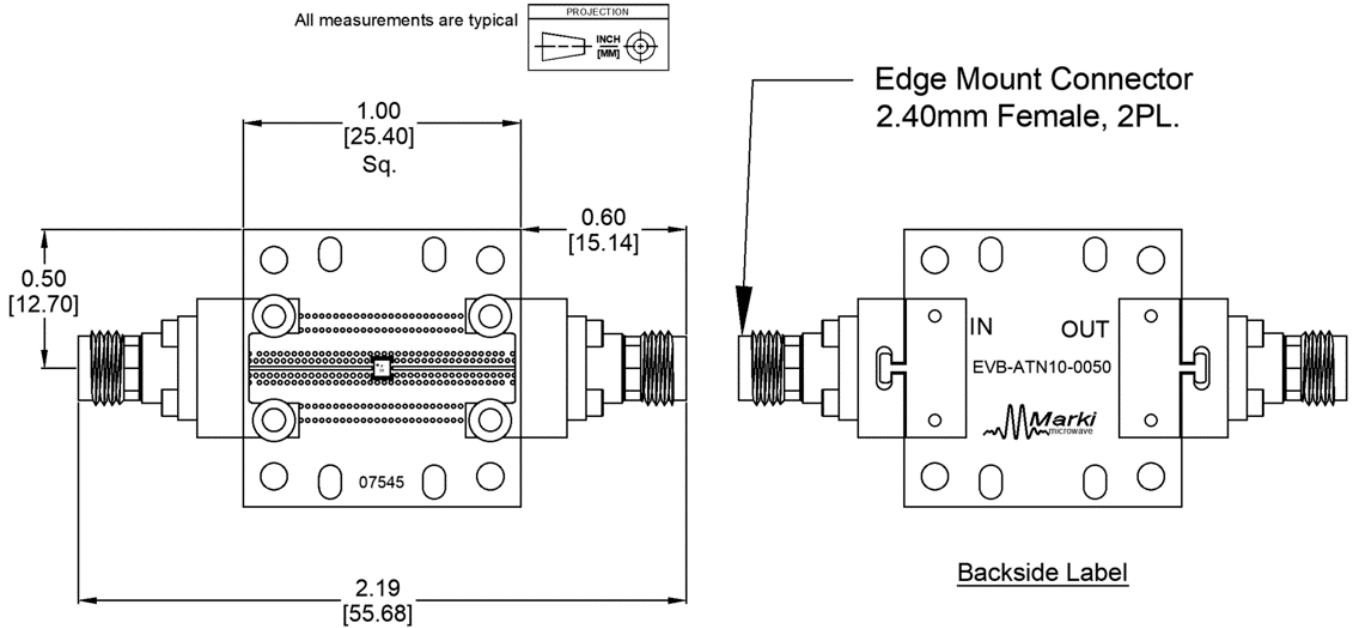
Unless otherwise specified, dimensions are in inches. Tolerances are:

.XX	±.02
.XXX	±.005

## EVB-ATN10-0050

Evaluation Board, Chip Scale Package MMIC 50 GHz 10dB Attenuator

### Evaluation Board - Outline Drawing



Unless otherwise specified, dimensions are in inches. Tolerances are:

.XX	±.02
.XXX	±.005

**DISCLAIMER**

MARKI MICROWAVE, INC., ("MARKI") PROVIDES TECHNICAL SPECIFICATIONS AND DATA (INCLUDING DATASHEETS), APPLICATION OR OTHER DESIGN ADVICE, WEB TOOLS, AND OTHER INFORMATION AND RESOURCES "AS IS" AND WITH ALL FAULTS. MARKI DISCLAIMS ALL WARRANTIES, EXPRESS OR IMPLIED, INCLUDING, WITHOUT LIMITATION, ANY IMPLIED WARRANTIES OF MERCHANTABILITY, FITNESS FOR A PARTICULAR PURPOSE, OR NON-INFRINGEMENT. These resources are intended for developers skilled in the art designing with Marki products. You are solely responsible for (1) selecting the appropriate products for your application, (2) designing, validating, and testing your application, and (3) ensuring your application meets applicable standards and other requirements. Marki makes no guarantee regarding the suitability of its products for any particular purpose, nor does Marki assume any liability whatsoever arising out of your use or application of any Marki product.

Marki grants you permission to use these resources only for development of an application that uses Marki products. Other reproduction or use of these resources is strictly prohibited. No license is granted to any other Marki intellectual property or to any third-party intellectual property. Marki reserves the right to make changes to the product(s) or information contained herein without notice.

MARKI MICROWAVE and T3 MIXER are trademarks or registered trademarks of Marki Microwave, Inc. All other trademarks used are the property of their respective owners.

© 2022 - 2025, Marki Microwave, Inc