

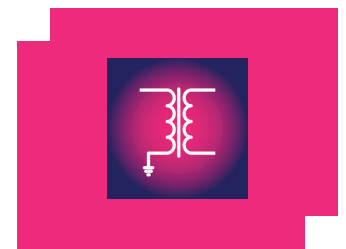
EVB-ABSD-10168P

Evaluation Board

DEVICE OVERVIEW

General Description

This is the evaluation board for the ABSD-10168PSM. The ABSD-10168PSM is a GaAs active MMIC balun in a 3mm QFN surface mount package. Its frequency ranges from DC to 30 GHz and offers 3 dB single ended to differential gain (low end limited by DC block). The 3mm QFN package is a lead free, RoHS compliant package compatible with standard leaded and lead-free solder reflows. Connectorized evaluation packages are available. The ABSD-10168PSM is an excellent choice for active single ended to differential mode conversion and higher order Nyquist sampling in analog to digital converters.



[Download s-parameters here](#)

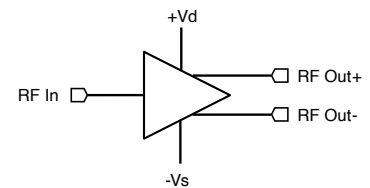
Features

- 2.92mm edge mount connectors
- Vd and Vs clip rings
- Output DC blocking caps

Applications

N/A

Functional Block Diagram



Part Ordering Options

Part Number	Description	Package	Green Status	Product Lifecycle	Export Classification
ABSD-10168PSM	30 GHz Single Ended to Differential Active Balun	QFN	REACH RoHS	Released	EAR99
EVB-ABSD-10168P	Evaluation Board	EVB	REACH RoHS	Released	-

Table Of Contents

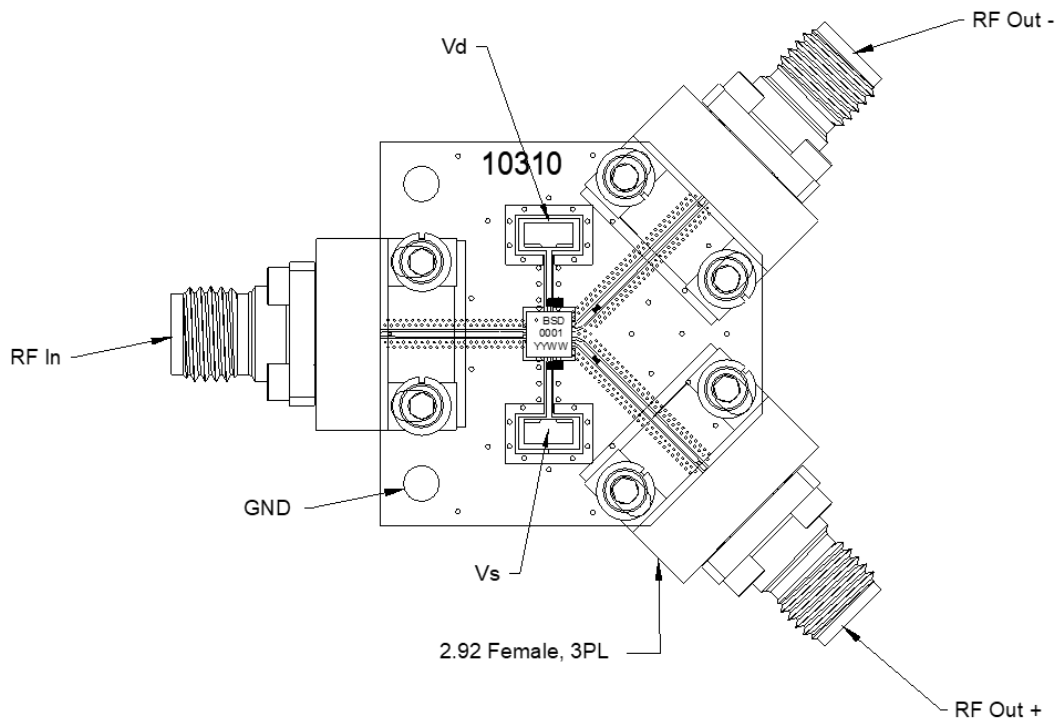
- **Device Overview**
 - General Description
 - Features
 - Applications
 - Functional Block Diagram
- **Revision History**
- **Specifications**
- **Mechanical Data**
 - Outline Drawing
- **Evaluation Board**
 - Evaluation Board Outline Drawing

Revision History

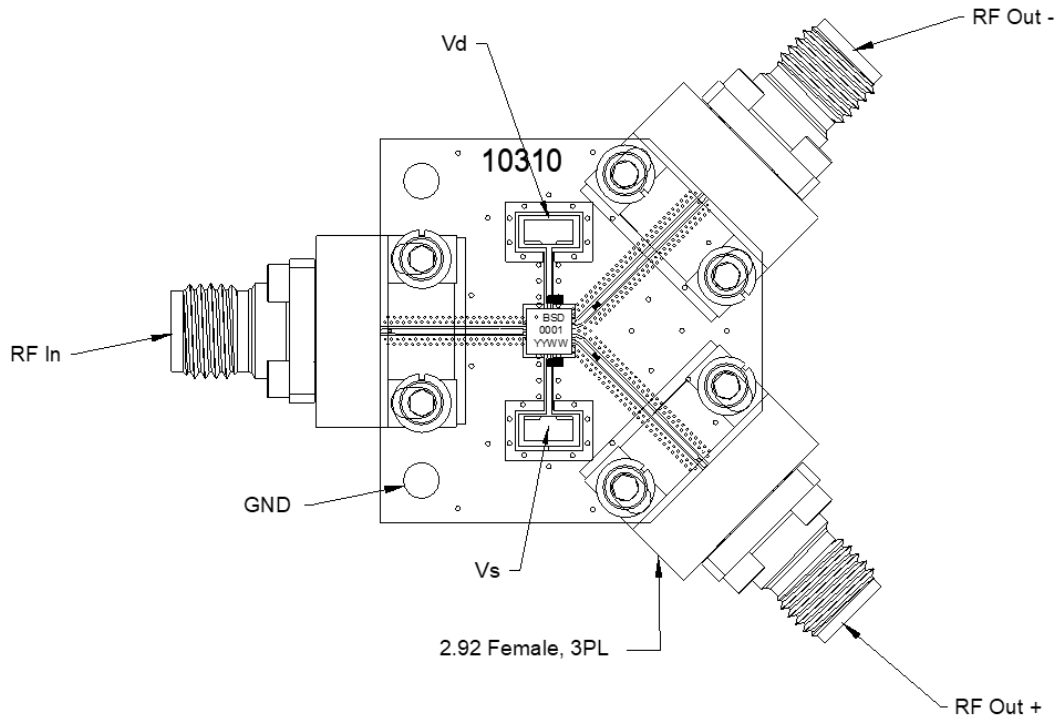
Revision Code	Revision Date	Comment
-	2025-04-07	Initial Release

Mechanical Data

Outline Drawing



Evaluation Board - Outline Drawing



DISCLAIMER

MARKI MICROWAVE, INC., ("MARKI") PROVIDES TECHNICAL SPECIFICATIONS AND DATA (INCLUDING DATASHEETS), APPLICATION OR OTHER DESIGN ADVICE, WEB TOOLS, AND OTHER INFORMATION AND RESOURCES "AS IS" AND WITH ALL FAULTS. MARKI DISCLAIMS ALL WARRANTIES, EXPRESS OR IMPLIED, INCLUDING, WITHOUT LIMITATION, ANY IMPLIED WARRANTIES OF MERCHANTABILITY, FITNESS FOR A PARTICULAR PURPOSE, OR NON-INFRINGEMENT. These resources are intended for developers skilled in the art designing with Marki products. You are solely responsible for (1) selecting the appropriate products for your application, (2) designing, validating, and testing your application, and (3) ensuring your application meets applicable standards and other requirements. Marki makes no guarantee regarding the suitability of its products for any particular purpose, nor does Marki assume any liability whatsoever arising out of your use or application of any Marki product.

Marki grants you permission to use these resources only for development of an application that uses Marki products. Other reproduction or use of these resources is strictly prohibited. No license is granted to any other Marki intellectual property or to any third-party intellectual property. Marki reserves the right to make changes to the product(s) or information contained herein without notice.

MARKI MICROWAVE and T3 MIXER are trademarks or registered trademarks of Marki Microwave, Inc. All other trademarks used are the property of their respective owners.

© 2025, Marki Microwave, Inc