

TM50-40

DC to 40GHz 50Ω Male Termination

DEVICE OVERVIEW

General Description

The TM50-40 is a well-matched, 50Ω male termination enabling operation from DC to 40 GHz. This termination features a 1W power rating and 38 dB typical return loss. The termination is suitable for use with our connectorized components. The T50-40 is available with both Male and Female connector options available as a 2.92mm connectorized module.



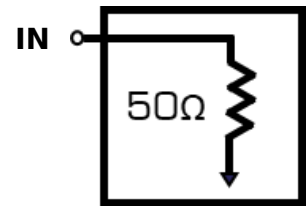
Features

- Male termination
- Broadband 50Ω termination from DC to 40 GHz
- 0.7W Power Rating
- 38 dB typical Return Loss

Applications

- Test Equipment
- Broadband Loading
- Precision Characterization

Functional Block Diagram



Part Ordering Options

Part Number	Description	Connectors	Green Status	Product Lifecycle	Export Classification
<u>TF50-40</u>	DC to 40GHz 50Ω Female Termination	<u>Standard</u>	REACH RoHS	Released	EAR99
TM50-40	DC to 40GHz 50Ω Male Termination	<u>Standard</u>	REACH RoHS	Released	EAR99

Table Of Contents

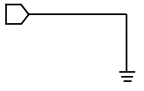
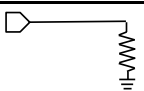
- **Device Overview**
 - General Description
 - Features
 - Applications
 - Functional Block Diagram
- **Port Configuration and Functions**
 - Port Functions
- **Revision History**
- **Specifications**
 - Absolute Maximum Ratings
 - Package Information
 - Electrical Specifications
 - Typical Performance Plots
- **Mechanical Data**
 - Outline Drawing

Revision History

Revision Code	Revision Date	Comment
-	2025-06-13	Initial Release
A	2025-11-24	Power Handling removed from Outline Drawing
B	2026-02-17	Power Handling Updated in the Features Section

Port Configuration and Functions

Port Functions

Port	Function	Connector Type	Description	DC Equivalent Circuit
GND	Ground	-	Ground provided through metal housing and outer coax conductor.	
Port 1	Input	2.92M	Port 1 is DC connected to ground through a broadband 50Ω resistor.	

Specifications

Absolute Maximum Ratings

The Absolute Maximum Ratings indicate limits beyond which damage may occur to the device. If these limits are exceeded, the device may be inoperable or have a reduced lifetime.

Parameter	Maximum Rating	Unit
Average Power Handling ¹	0.7	W
Maximum Operating Temperature	105	°C
Maximum Storage Temperature	105	°C
Minimum Operating Temperature	-40	°C
Minimum Storage Temperature	-40	°C

1 W Average power from -40°C to +70°C Linearly derated to 0.7W at 105°C

[1] 1 W Average power from -40°C to +70°C Linearly derated to 0.7W at 105°C

Package Information

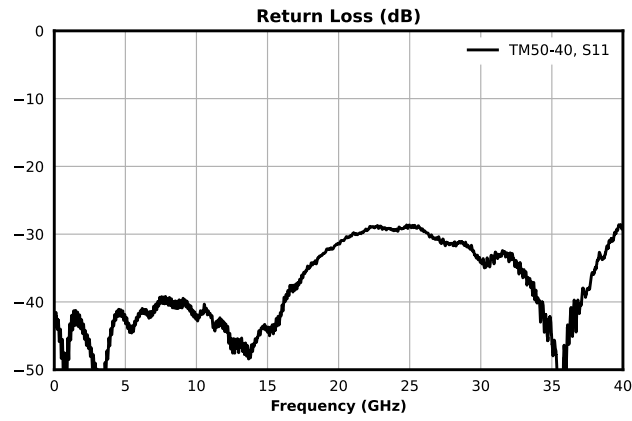
Parameter	Details	Rating
ESD	250 to < 500 Volts	HBM Class 1A

Electrical Specifications

The electrical specifications apply at TA=+25°C in a 50Ω system.

Parameter	Test Conditions	Minimum Frequency (GHz)	Maximum Frequency (GHz)	Min	Typ	Max	Unit
Impedance	Configuration A, 25°C	0	40	-	50	-	Ω
Return Loss	Configuration A, 25°C	0	40	23	38	-	dB
VSWR	Configuration A, 25°C	0	40	-	1.03	1.15	

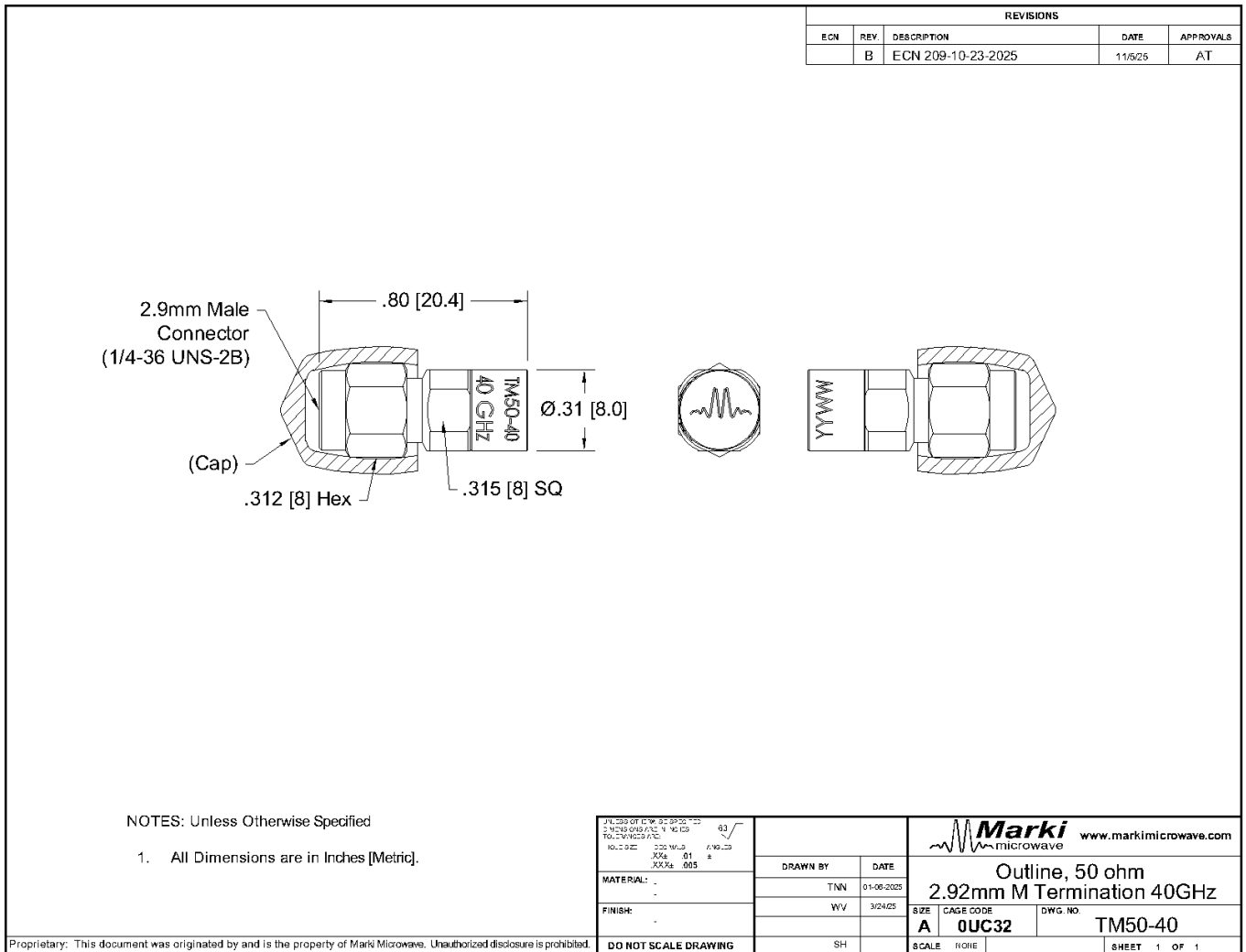
Typical Performance Plots



Mechanical Data

Outline Drawing

Download : [Outline 2D Drawing](#)



DISCLAIMER

MARKI MICROWAVE, LLC., ("MARKI") PROVIDES TECHNICAL SPECIFICATIONS AND DATA (INCLUDING DATASHEETS), APPLICATION OR OTHER DESIGN ADVICE, WEB TOOLS, AND OTHER INFORMATION AND RESOURCES "AS IS" AND WITH ALL FAULTS. MARKI DISCLAIMS ALL WARRANTIES, EXPRESS OR IMPLIED, INCLUDING, WITHOUT LIMITATION, ANY IMPLIED WARRANTIES OF MERCHANTABILITY, FITNESS FOR A PARTICULAR PURPOSE, OR NON-INFRINGEMENT.

These resources are intended for developers skilled in the art designing with Marki products. You are solely responsible for (1) selecting the appropriate products for your application, (2) designing, validating, and testing your application, and (3) ensuring your application meets applicable standards and other requirements. Marki makes no guarantee regarding the suitability of its products for any particular purpose, nor does Marki assume any liability whatsoever arising out of your use or application of any Marki product.

Marki grants you permission to use these resources only for development of an application that uses Marki products. Other reproduction or use of these resources is strictly prohibited. No license is granted to any other Marki intellectual property or to any third-party intellectual property. Marki reserves the right to make changes to the product(s) or information contained herein without notice.

MARKI MICROWAVE and T3 MIXER are trademarks or registered trademarks of Marki Microwave, LLC. All other trademarks used are the property of their respective owners.

© 2025 - 2026, Marki Microwave, LLC