

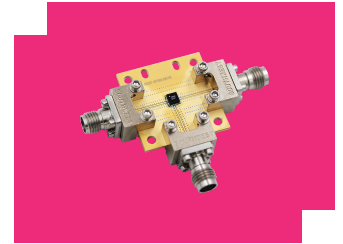
EVAL-MMD-2050L

Evaluation Board, GaAs MMIC 20 - 50 GHz Millimeter Wave Doubler

DEVICE OVERVIEW

General Description

The EVAL-MMD-2050L is a connectorized evaluation board for the MMD-2050LSM GaAs MMIC surface mount 20 - 50 GHz Millimeter Wave Doubler.



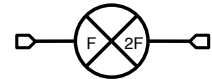
Features

N/A

Applications

N/A

Functional Block Diagram



Part Ordering Options

Part Number	Description	Package	Green Status	Product Lifecycle	Export Classification
<u>MMD-2050LSM</u>	GaAs MMIC Millimeter Wave Doubler	QFN	REACH RoHS	Released	EAR99
EVAL-MMD-2050L	Evaluation Board, GaAs MMIC 20 - 50 GHz Millimeter Wave Doubler	EVAL	REACH RoHS	Released	EAR99



www.markimicrowave.com

EVAL-MMD-2050L

**Evaluation Board, GaAs MMIC 20 - 50 GHz
Millimeter Wave Doubler**

Table Of Contents

- **Device Overview**

- General Description
- Features
- Applications
- Functional Block Diagram

- **Specifications**

- **Mechanical Data**

- Outline Drawing

- **Evaluation Board**

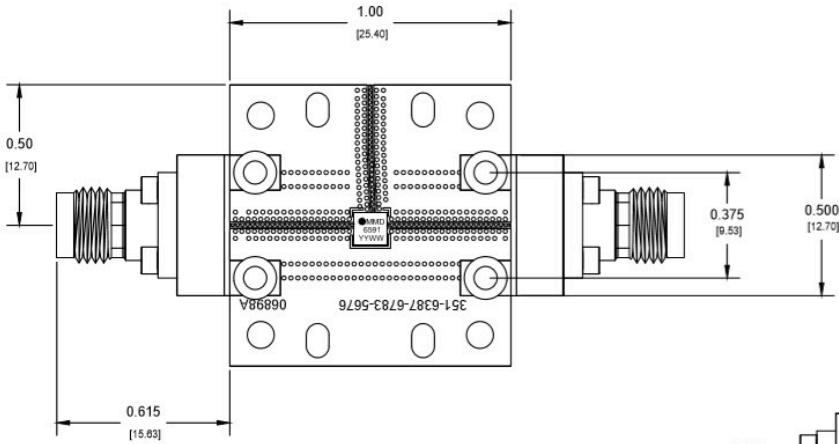
- Evaluation Board Outline Drawing

EVAL-MMD-2050L

Evaluation Board, GaAs MMIC 20 - 50 GHz
Millimeter Wave Doubler

Mechanical Data

Outline Drawing



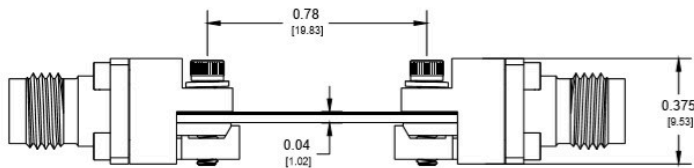
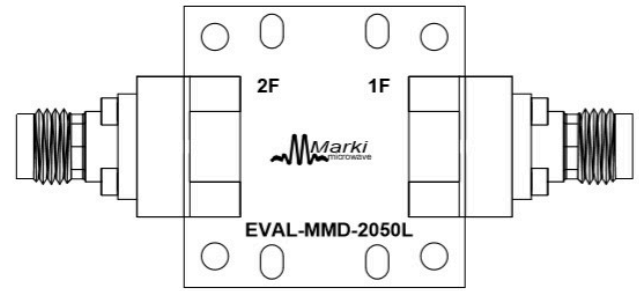
All measurements are typical

Port	Connector Type
F	2.40mm Female
2F	2.40mm Female

Note: Connectors are not removeable on EVAL board

Port	DC Voltage
F	0.253 V
2F	DC Open

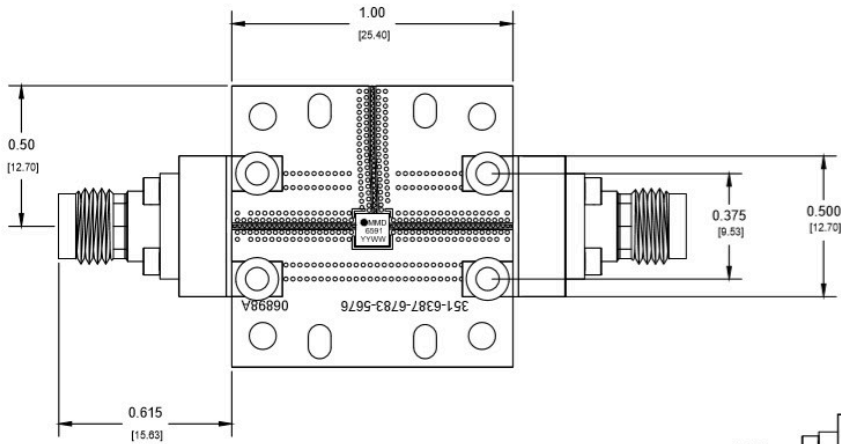
Backside Label



EVAL-MMD-2050L

Evaluation Board, GaAs MMIC 20 - 50 GHz
Millimeter Wave Doubler

Evaluation Board - Outline Drawing



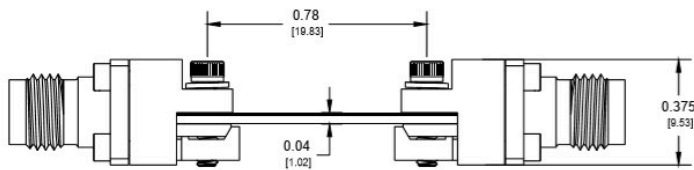
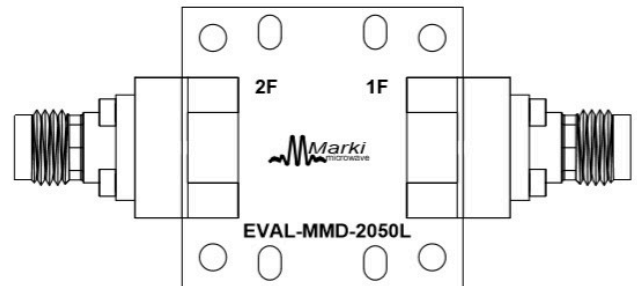
All measurements are typical

Port	Connector Type
F	2.40mm Female
2F	2.40mm Female

Note: Connectors are not removeable on EVAL board

Port	DC Voltage
F	0.253 V
2F	DC Open

Backside Label



EVAL-MMD-2050L

Evaluation Board, GaAs MMIC 20 - 50 GHz Millimeter Wave Doubler

DISCLAIMER

MARKI MICROWAVE, INC., ("MARKI") PROVIDES TECHNICAL SPECIFICATIONS AND DATA (INCLUDING DATASHEETS), APPLICATION OR OTHER DESIGN ADVICE, WEB TOOLS, AND OTHER INFORMATION AND RESOURCES "AS IS" AND WITH ALL FAULTS. MARKI DISCLAIMS ALL WARRANTIES, EXPRESS OR IMPLIED, INCLUDING, WITHOUT LIMITATION, ANY IMPLIED WARRANTIES OF MERCHANTABILITY, FITNESS FOR A PARTICULAR PURPOSE, OR NON-INFRINGEMENT. These resources are intended for developers skilled in the art designing with Marki products. You are solely responsible for (1) selecting the appropriate products for your application, (2) designing, validating, and testing your application, and (3) ensuring your application meets applicable standards and other requirements. Marki makes no guarantee regarding the suitability of its products for any particular purpose, nor does Marki assume any liability whatsoever arising out of your use or application of any Marki product.

Marki grants you permission to use these resources only for development of an application that uses Marki products. Other reproduction or use of these resources is strictly prohibited. No license is granted to any other Marki intellectual property or to any third-party intellectual property. Marki reserves the right to make changes to the product(s) or information contained herein without notice.

MARKI MICROWAVE and T3 MIXER are trademarks or registered trademarks of Marki Microwave, Inc. All other trademarks used are the property of their respective owners.

© 2022 - 2025, Marki Microwave, Inc