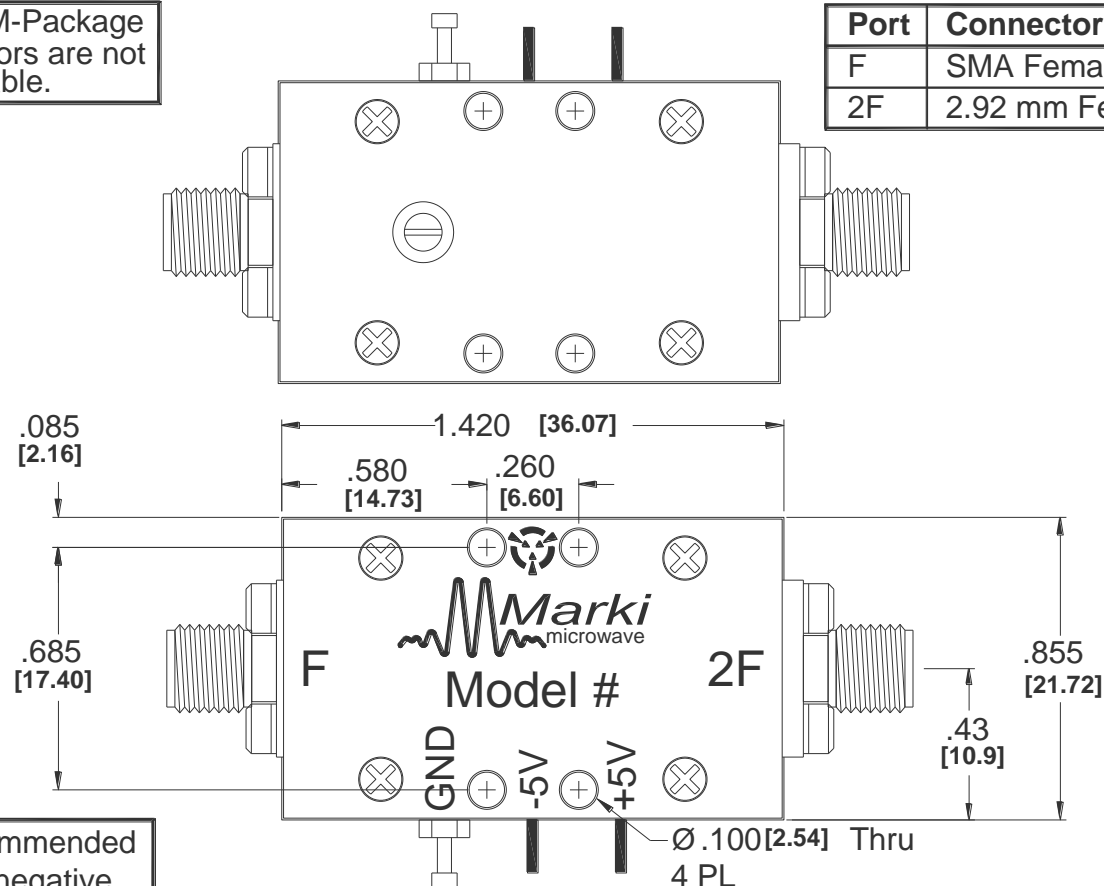




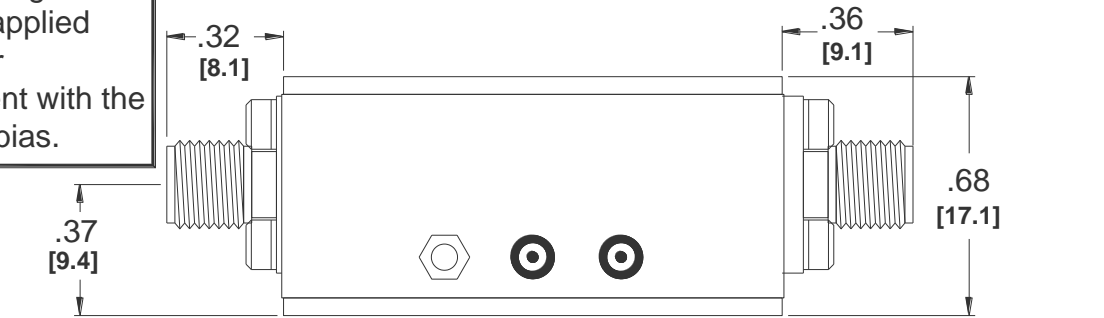
215 Vineyard Court, Morgan Hill, CA 95037
 PHONE (408) 778-4200 FAX (408) 778-4300
 Website: MarkiMicrowave.com

Note: CM-Package Connectors are not removeable.

Port	Connector Type
F	SMA Female
2F	2.92 mm Female

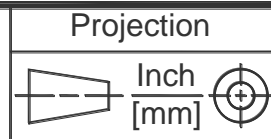


It is recommended that the negative bias be applied before or concurrent with the positive bias.



Weight: 45 gms typ

CM-Style Amplified-Doubler Outline



XXX=±.005
 XX=±.02