

EVB-ADM-8095P

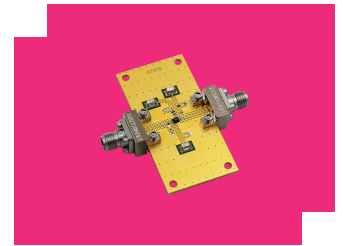
Evaluation Board, 0.09 - 10 GHz High Dynamic Range Gain Block

DEVICE OVERVIEW

General Description

The EVB-ADM-8095P is a connectorized evaluation board for the ADM-8095PSM 0.09-10 GHz surface mount amplifier.

[Download s-parameters here](#)



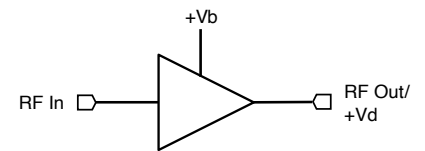
Features

N/A

Applications

N/A

Functional Block Diagram



Part Ordering Options

Part Number	Description	Package	Green Status	Product Lifecycle	Export Classification
ADM-8095PSM	0.09 - 10 GHz High Dynamic Range Gain Block	DFN	REACH RoHS	Released	EAR99
EVB-ADM-8095P	Evaluation Board, 0.09 - 10 GHz High Dynamic Range Gain Block	EVB	REACH RoHS	Released	EAR99



www.markimicrowave.com

EVB-ADM-8095P

Evaluation Board, 0.09 - 10 GHz High Dynamic Range Gain Block

Table Of Contents

- **Device Overview**

- General Description

- Features

- Applications

- Functional Block Diagram

- **Specifications**

- **Mechanical Data**

- Outline Drawing

- **Evaluation Board**

- Evaluation Board Bill of Materials

- Evaluation Board Bill of Materials Table

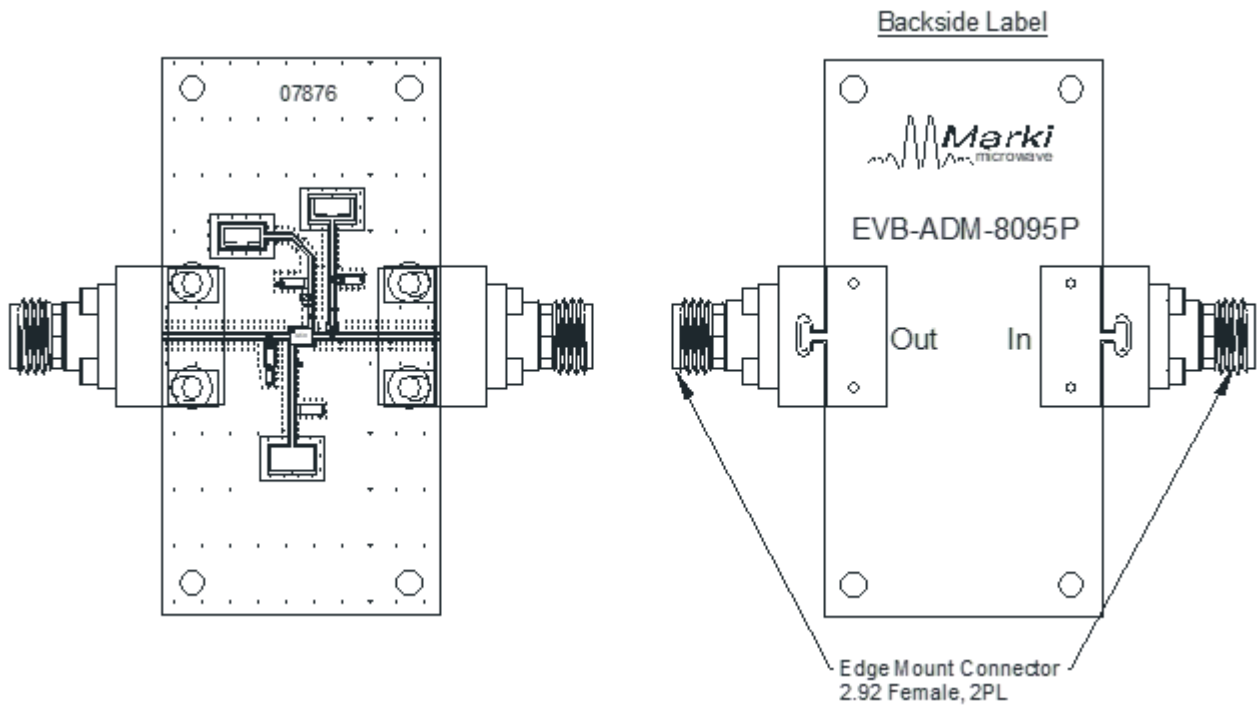
- Evaluation Board Outline Drawing

EVB-ADM-8095P

Evaluation Board, 0.09 - 10 GHz High Dynamic
Range Gain Block

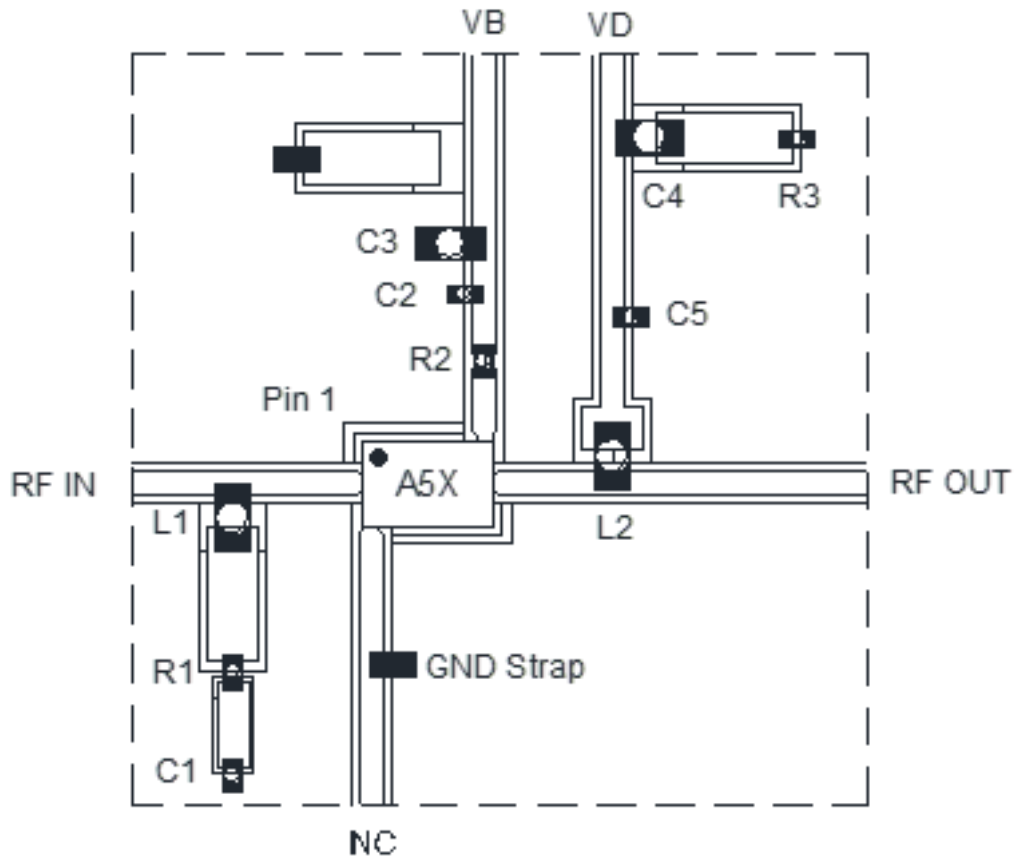
Mechanical Data

Outline Drawing



Evaluation Board

Evaluation Board Bill of Materials



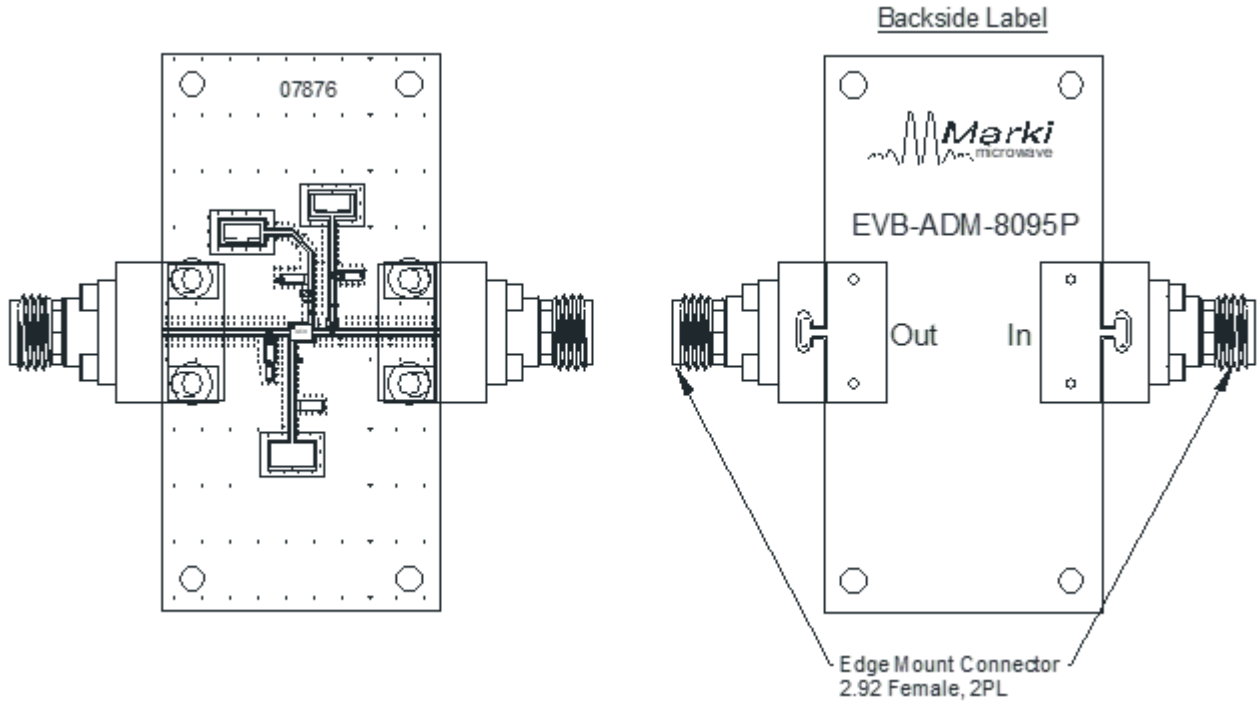
Evaluation Board Bill of Materials Table

Reference	Manufacturer	Description	Qty
In, Out	Southwest	Connector, Edge Mount, 2.9mm F	2
C1	Murata	0201 Cap Cer 0.1 μ F 10V X5R	1
C3, C4	Murata	0402 Cap Cer 0.1 μ F	2
C2, C5	Murata	0201 Cap Cer 100pf	2
R1	Panasonic	0201 Res 47.5 Ω 5% 1/20W	1
R2	Panasonic	0201 Res 3.3k Ω 5% 1/20W	1
R3	Panasonic	0201 Res 10 Ω 5% 1/20W	1
L1, L2	Coilcraft	0402 Ind 150nH (MFR PN: 0402HPH-R15X R)	2
U1	Marki	0.09-10GHz, 19 dBm Amplifier (ADM-8095PSM)	1

EVB-ADM-8095P

Evaluation Board, 0.09 - 10 GHz High Dynamic
Range Gain Block

Evaluation Board - Outline Drawing



DISCLAIMER

MARKI MICROWAVE, INC., ("MARKI") PROVIDES TECHNICAL SPECIFICATIONS AND DATA (INCLUDING DATASHEETS), APPLICATION OR OTHER DESIGN ADVICE, WEB TOOLS, AND OTHER INFORMATION AND RESOURCES "AS IS" AND WITH ALL FAULTS. MARKI DISCLAIMS ALL WARRANTIES, EXPRESS OR IMPLIED, INCLUDING, WITHOUT LIMITATION, ANY IMPLIED WARRANTIES OF MERCHANTABILITY, FITNESS FOR A PARTICULAR PURPOSE, OR NON-INFRINGEMENT. These resources are intended for developers skilled in the art designing with Marki products. You are solely responsible for (1) selecting the appropriate products for your application, (2) designing, validating, and testing your application, and (3) ensuring your application meets applicable standards and other requirements. Marki makes no guarantee regarding the suitability of its products for any particular purpose, nor does Marki assume any liability whatsoever arising out of your use or application of any Marki product.

Marki grants you permission to use these resources only for development of an application that uses Marki products. Other reproduction or use of these resources is strictly prohibited. No license is granted to any other Marki intellectual property or to any third-party intellectual property. Marki reserves the right to make changes to the product(s) or information contained herein without notice.

MARKI MICROWAVE and T3 MIXER are trademarks or registered trademarks of Marki Microwave, Inc. All other trademarks used are the property of their respective owners.

© 2022 - 2025, Marki Microwave, Inc