

EVB-MFBP-00079

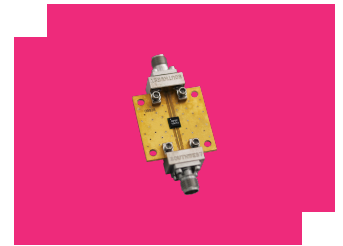
Evaluation Board, Passive GaAs 7.94-9.88 GHz MMIC Bandpass Filter

DEVICE OVERVIEW

General Description

The EVB-MFBP-00079 is a connectorized evaluation board for the MFBP-00079CSP3 passive MMIC surface mount 7.94-9.88 GHz bandpass filter.

[Download s-parameters here](#)



Features

N/A

Applications

N/A

Functional Block Diagram



Part Ordering Options

Part Number	Description	Package	Green Status	Product Lifecycle	Export Classification
MFBP-00079CSP3	Passive GaAs MMIC 7.94 - 9.88 GHz Bandpass Filter	CSP3	RoHS REACH	Released	EAR99
EVB-MFBP-00079	Evaluation Board, Passive GaAs 7.94-9.88 GHz MMIC Bandpass Filter	EVB	RoHS REACH	Released	EAR99



www.markimicrowave.com

EVB-MFBP-00079

Evaluation Board, Passive GaAs 7.94-9.88 GHz
MMIC Bandpass Filter

Table Of Contents

- **Device Overview**
 - General Description
 - Features
 - Applications
 - Functional Block Diagram
- **Revision History**
- **Specifications**
- **Mechanical Data**
 - Outline Drawing
- **Evaluation Board**
 - Evaluation Board Outline Drawing

Revision History

Revision Code	Revision Date	Comment
-	2024-11-21	Initial Release

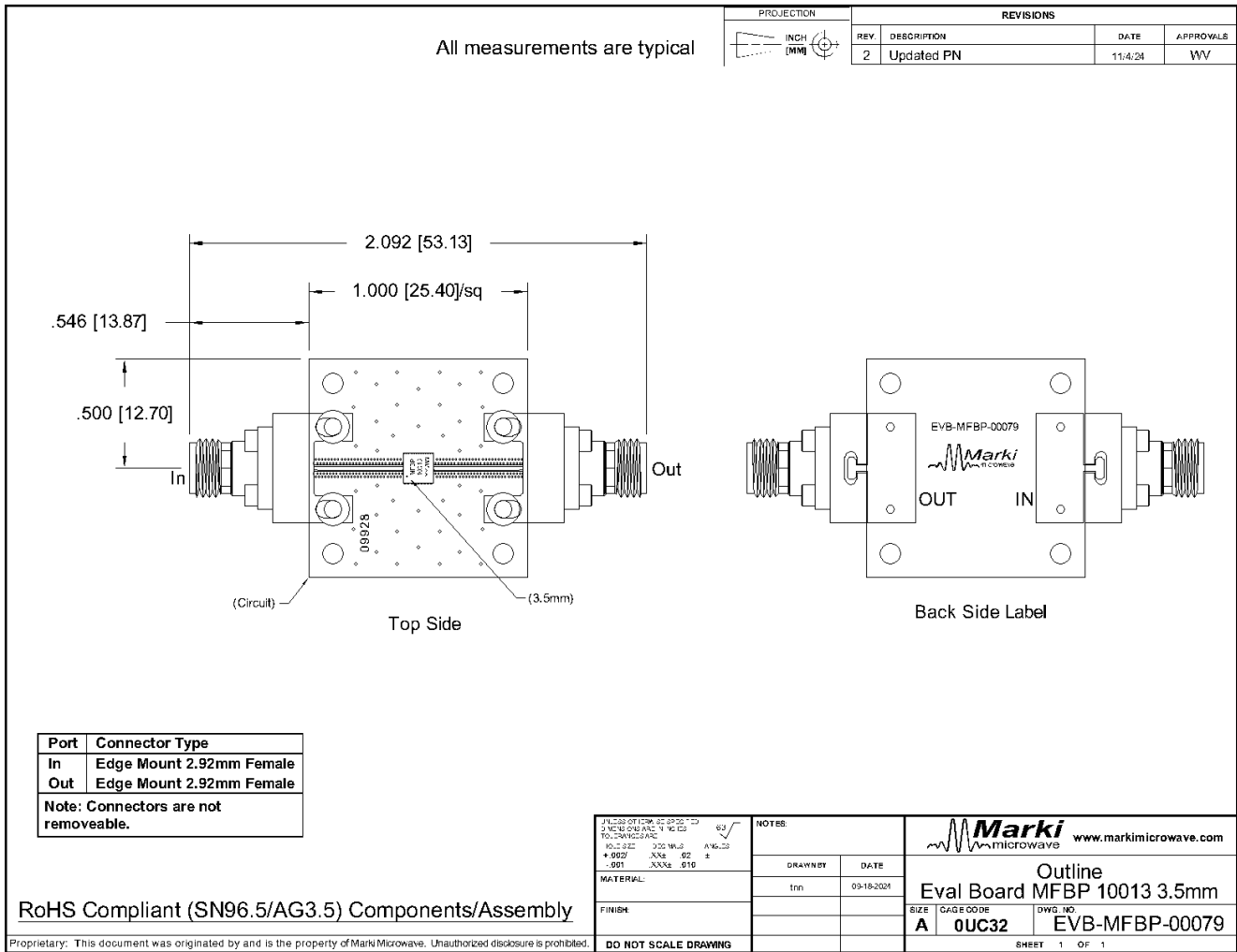
EVB-MFBP-00079

Evaluation Board, Passive GaAs 7.94-9.88 GHz
MMIC Bandpass Filter

Mechanical Data

Outline Drawing

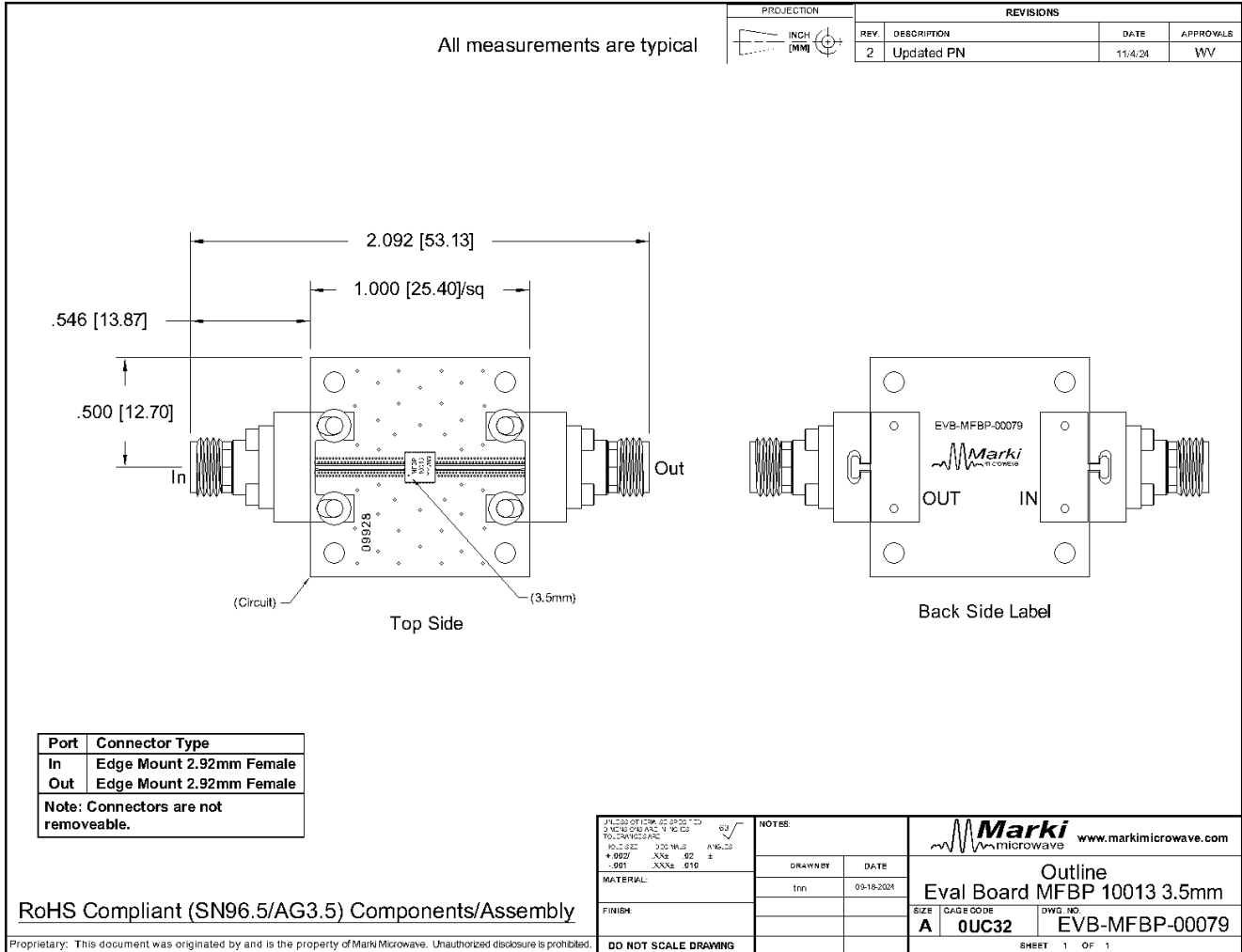
Download : [Outline 2D Drawing](#)



EVB-MFBP-00079

Evaluation Board, Passive GaAs 7.94-9.88 GHz
MMIC Bandpass Filter

Evaluation Board - Outline Drawing



DISCLAIMER

MARKI MICROWAVE, INC., ("MARKI") PROVIDES TECHNICAL SPECIFICATIONS AND DATA (INCLUDING DATASHEETS), APPLICATION OR OTHER DESIGN ADVICE, WEB TOOLS, AND OTHER INFORMATION AND RESOURCES "AS IS" AND WITH ALL FAULTS. MARKI DISCLAIMS ALL WARRANTIES, EXPRESS OR IMPLIED, INCLUDING, WITHOUT LIMITATION, ANY IMPLIED WARRANTIES OF MERCHANTABILITY, FITNESS FOR A PARTICULAR PURPOSE, OR NON-INFRINGEMENT. These resources are intended for developers skilled in the art designing with Marki products. You are solely responsible for (1) selecting the appropriate products for your application, (2) designing, validating, and testing your application, and (3) ensuring your application meets applicable standards and other requirements. Marki makes no guarantee regarding the suitability of its products for any particular purpose, nor does Marki assume any liability whatsoever arising out of your use or application of any Marki product.

Marki grants you permission to use these resources only for development of an application that uses Marki products. Other reproduction or use of these resources is strictly prohibited. No license is granted to any other Marki intellectual property or to any third-party intellectual property. Marki reserves the right to make changes to the product(s) or information contained herein without notice.

MARKI MICROWAVE and T3 MIXER are trademarks or registered trademarks of Marki Microwave, Inc. All other trademarks used are the property of their respective owners.

© 2024, Marki Microwave, Inc