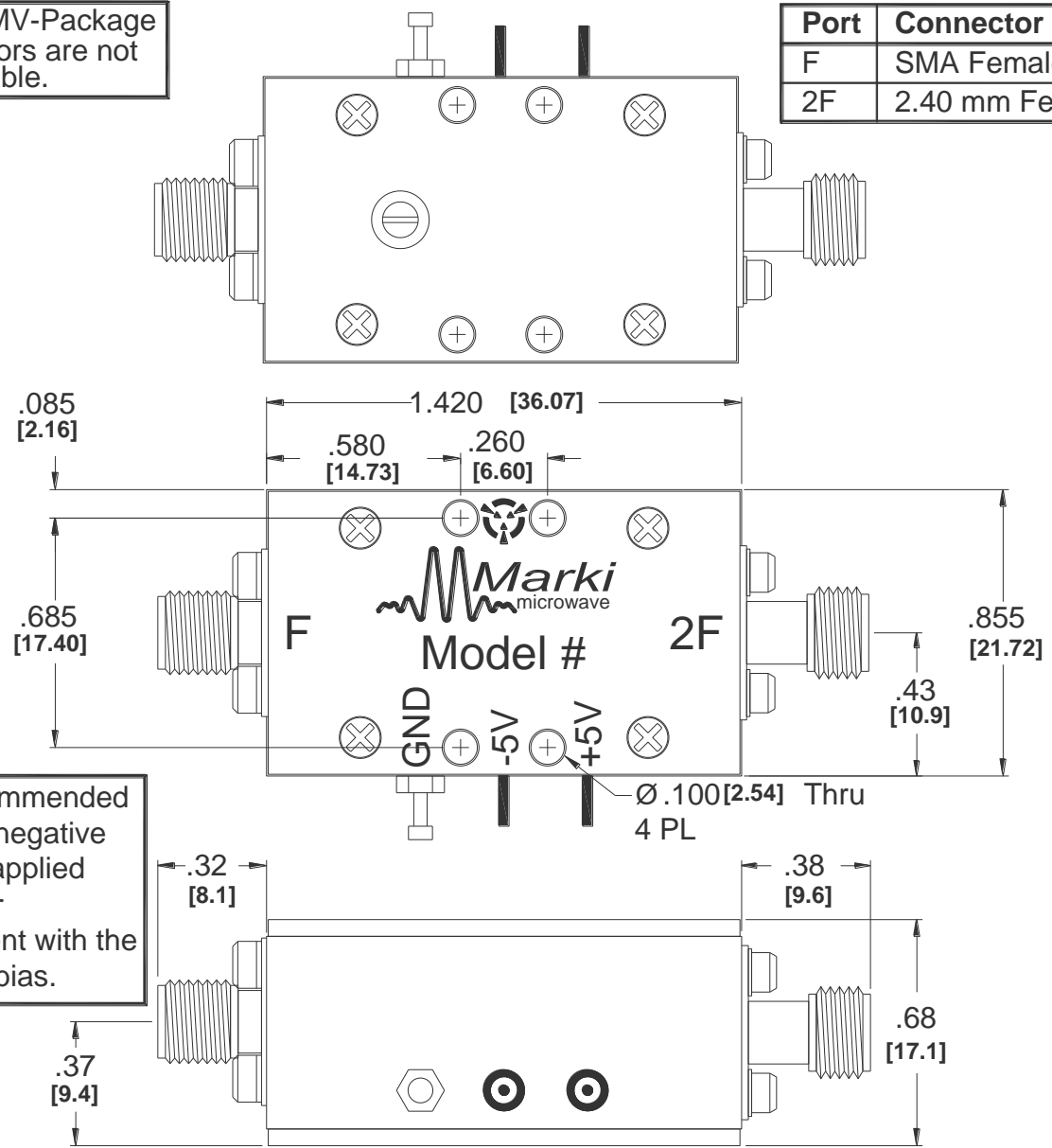




215 Vineyard Court, Morgan Hill, CA 95037
 PHONE (408) 778-4200 FAX (408) 778-4300
 Website: MarkiMicrowave.com

Note: CMV-Package Connectors are not removeable.

Port	Connector Type
F	SMA Female
2F	2.40 mm Female



It is recommended that the negative bias be applied before or concurrent with the positive bias.

Weight: 45 gms typ

CMV-Style Amplified-Doubler Outline

Projection	XXX=±.005 XX=±.02
 Inch [mm]	