

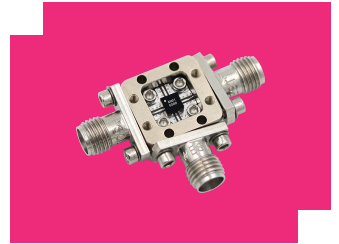
EVAL-MM1-0832HP

Evaluation Board, GaAs MMIC 8 - 32 GHz Double Balanced Mixer

DEVICE OVERVIEW

General Description

The EVAL-MM1-0832HP is a connectorized evaluation board for the MM1-0832HPSM GaAs MMIC surface mount 8 - 32 GHz Double Balanced Mixer.



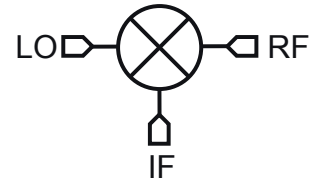
Features

N/A

Applications

N/A

Functional Block Diagram



Part Ordering Options

Part Number	Description	Package	Green Status	Product Lifecycle	Export Classification
<u>MM1-0832HPSM-2</u>	GaAs MMIC Double Balanced Mixer	QFN	REACH RoHS	Released	EAR99
EVAL-MM1-0832HP	Evaluation Board, GaAs MMIC 8 - 32 GHz Double Balanced Mixer	EVAL	REACH RoHS	Released	EAR99



www.markimicrowave.com

EVAL-MM1-0832HP

Evaluation Board, GaAs MMIC 8 - 32 GHz Double Balanced Mixer

Table Of Contents

- **Device Overview**

- General Description

- Features

- Applications

- Functional Block Diagram

- **Specifications**

- Package Information

- **Mechanical Data**

- Outline Drawing

- **Evaluation Board**

- Evaluation Board Outline Drawing

EVAL-MM1-0832HP

Evaluation Board, GaAs MMIC 8 - 32 GHz Double
Balanced Mixer

Specifications

Package Information

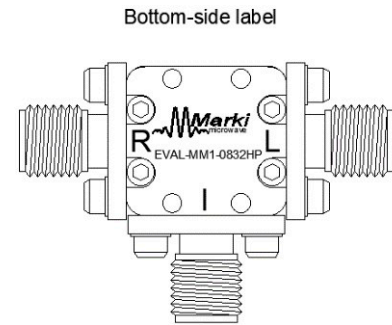
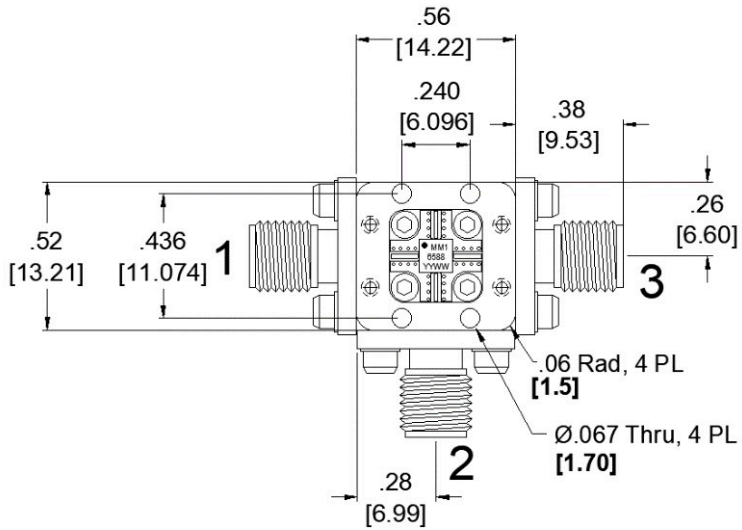
Parameter	Details	Rating
Weight	Package name: EVAL	11.4g

EVAL-MM1-0832HP

Evaluation Board, GaAs MMIC 8 - 32 GHz Double
Balanced Mixer

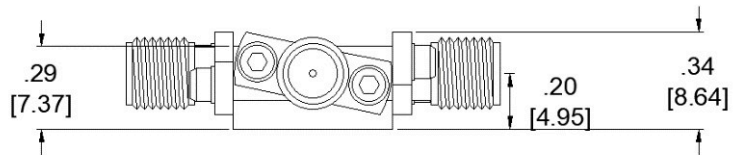
Mechanical Data

Outline Drawing



Function	Configuration A Port Number	Configuration B Port Number	Connector Type
LO	1	3	2.92 mm Female
IF	2	2	SMA Female
RF	3	1	2.92 mm Female

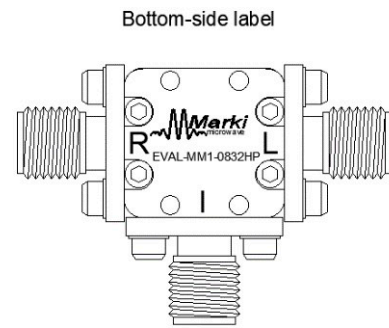
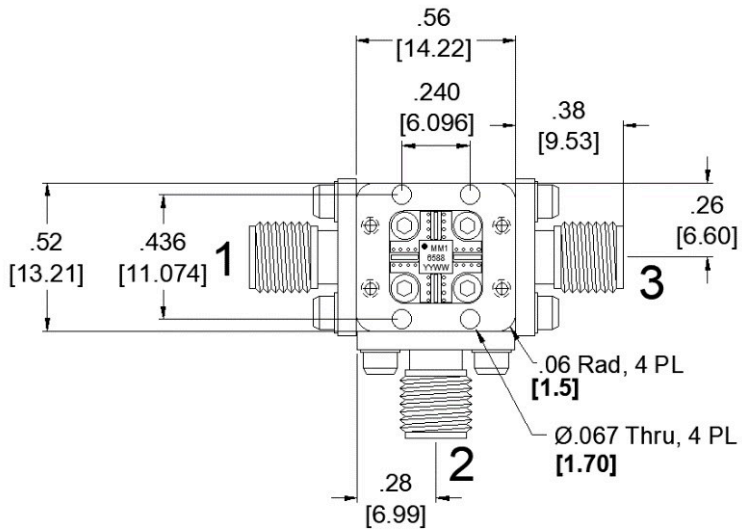
Note: Eval Connectors are not removable



EVAL-MM1-0832HP

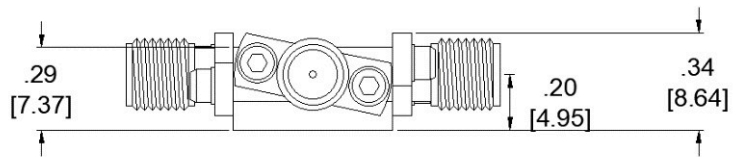
Evaluation Board, GaAs MMIC 8 - 32 GHz Double Balanced Mixer

Evaluation Board - Outline Drawing



Function	Configuration A Port Number	Configuration B Port Number	Connector Type
LO	1	3	2.92 mm Female
IF	2	2	SMA Female
RF	3	1	2.92 mm Female

Note: Eval Connectors are not removable



DISCLAIMER

MARKI MICROWAVE, INC., ("MARKI") PROVIDES TECHNICAL SPECIFICATIONS AND DATA (INCLUDING DATASHEETS), APPLICATION OR OTHER DESIGN ADVICE, WEB TOOLS, AND OTHER INFORMATION AND RESOURCES "AS IS" AND WITH ALL FAULTS. MARKI DISCLAIMS ALL WARRANTIES, EXPRESS OR IMPLIED, INCLUDING, WITHOUT LIMITATION, ANY IMPLIED WARRANTIES OF MERCHANTABILITY, FITNESS FOR A PARTICULAR PURPOSE, OR NON-INFRINGEMENT. These resources are intended for developers skilled in the art designing with Marki products. You are solely responsible for (1) selecting the appropriate products for your application, (2) designing, validating, and testing your application, and (3) ensuring your application meets applicable standards and other requirements. Marki makes no guarantee regarding the suitability of its products for any particular purpose, nor does Marki assume any liability whatsoever arising out of your use or application of any Marki product.

Marki grants you permission to use these resources only for development of an application that uses Marki products. Other reproduction or use of these resources is strictly prohibited. No license is granted to any other Marki intellectual property or to any third-party intellectual property. Marki reserves the right to make changes to the product(s) or information contained herein without notice.

MARKI MICROWAVE and T3 MIXER are trademarks or registered trademarks of Marki Microwave, Inc. All other trademarks used are the property of their respective owners.

© 2022 - 2025, Marki Microwave, Inc