

EVAL-AMM-6702SM

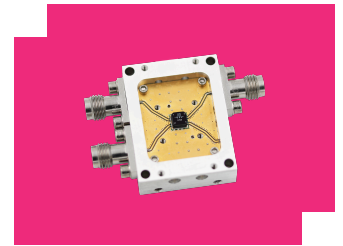
Evaluation Board, 20-50 GHz GaAs Surface Mount LO Driver Amplifier

DEVICE OVERVIEW

General Description

The EVAL-AMM-6702SM is a connectorized evaluation board for the AMM-6702SM surface mount 20-50 GHz LO driver amplifier.

[Download s-parameters here](#)



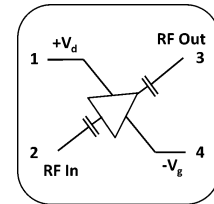
Features

N/A

Applications

N/A

Functional Block Diagram



Part Ordering Options

Part Number	Description	Package	Green Status	Product Lifecycle	Export Classification	Recommended Replacement
AMM-6702SM	20-50 GHz GaAs Surface Mount LO Driver Amplifier	KFN	REACH RoHS	Not Recommended for New Design	3A001.b.2.d	AMM-10202PSM
EVAL-AMM-6702SM	Evaluation Board, 20-50 GHz GaAs Surface Mount LO Driver Amplifier	EVAL	REACH RoHS	Not Recommended for New Design	EAR99	EVB-AMM-10202P

EVAL-AMM-6702SM

**Evaluation Board, 20-50 GHz GaAs Surface Mount
LO Driver Amplifier**

Table Of Contents

■ **Device Overview**

General Description

Features

Applications

Functional Block Diagram

■ **Specifications**

Package Information

■ **Mechanical Data**

Outline Drawing

■ **Evaluation Board**

Evaluation Board Outline Drawing

NOT RECOMMENDED FOR NEW DESIGN

EVAL-AMM-6702SM

Evaluation Board, 20-50 GHz GaAs Surface Mount
LO Driver Amplifier

Specifications

Package Information

Parameter	Details	Rating
Weight	Package name: EVAL	24.4g

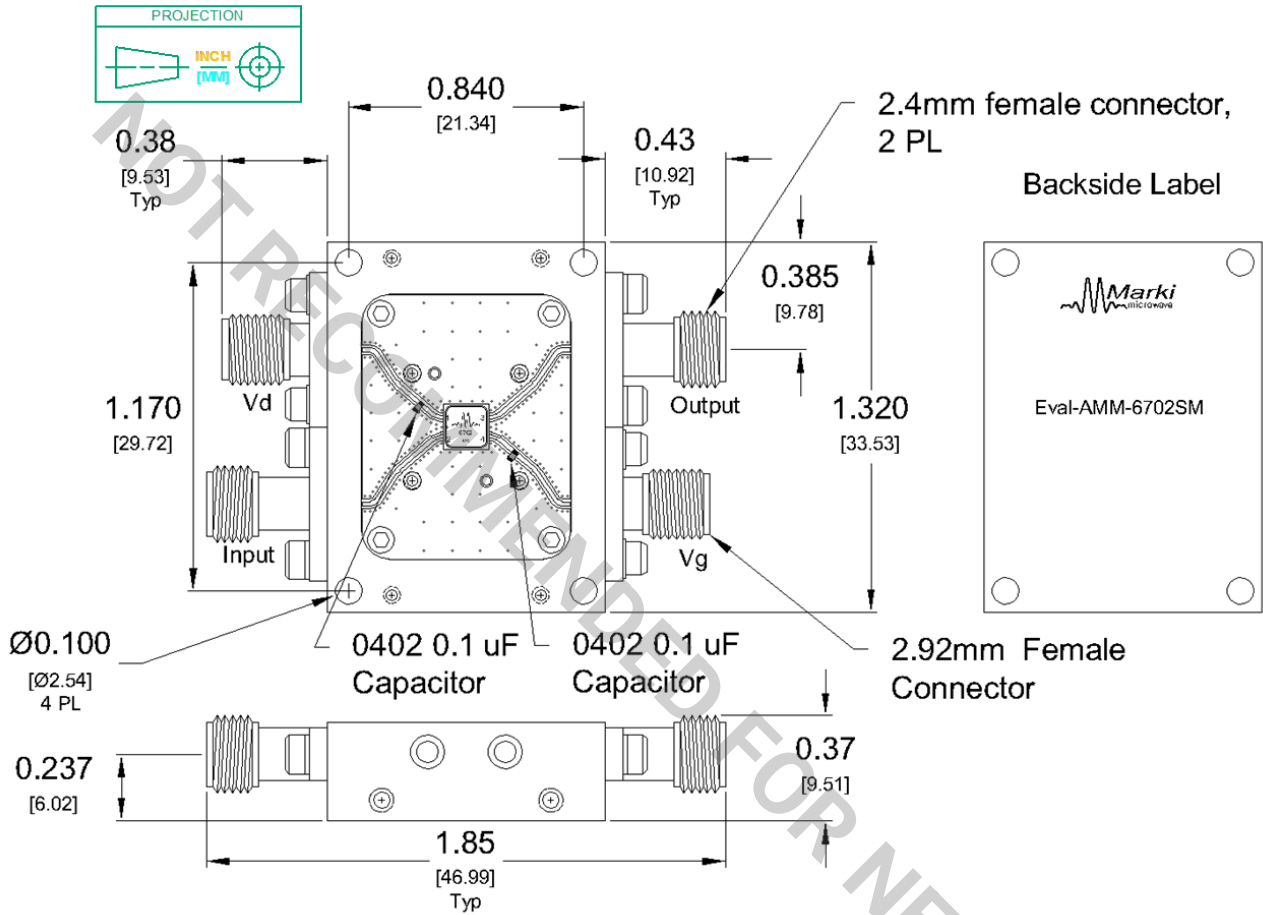
NOT RECOMMENDED FOR NEW DESIGN

EVAL-AMM-6702SM

Evaluation Board, 20-50 GHz GaAs Surface Mount
LO Driver Amplifier

Mechanical Data

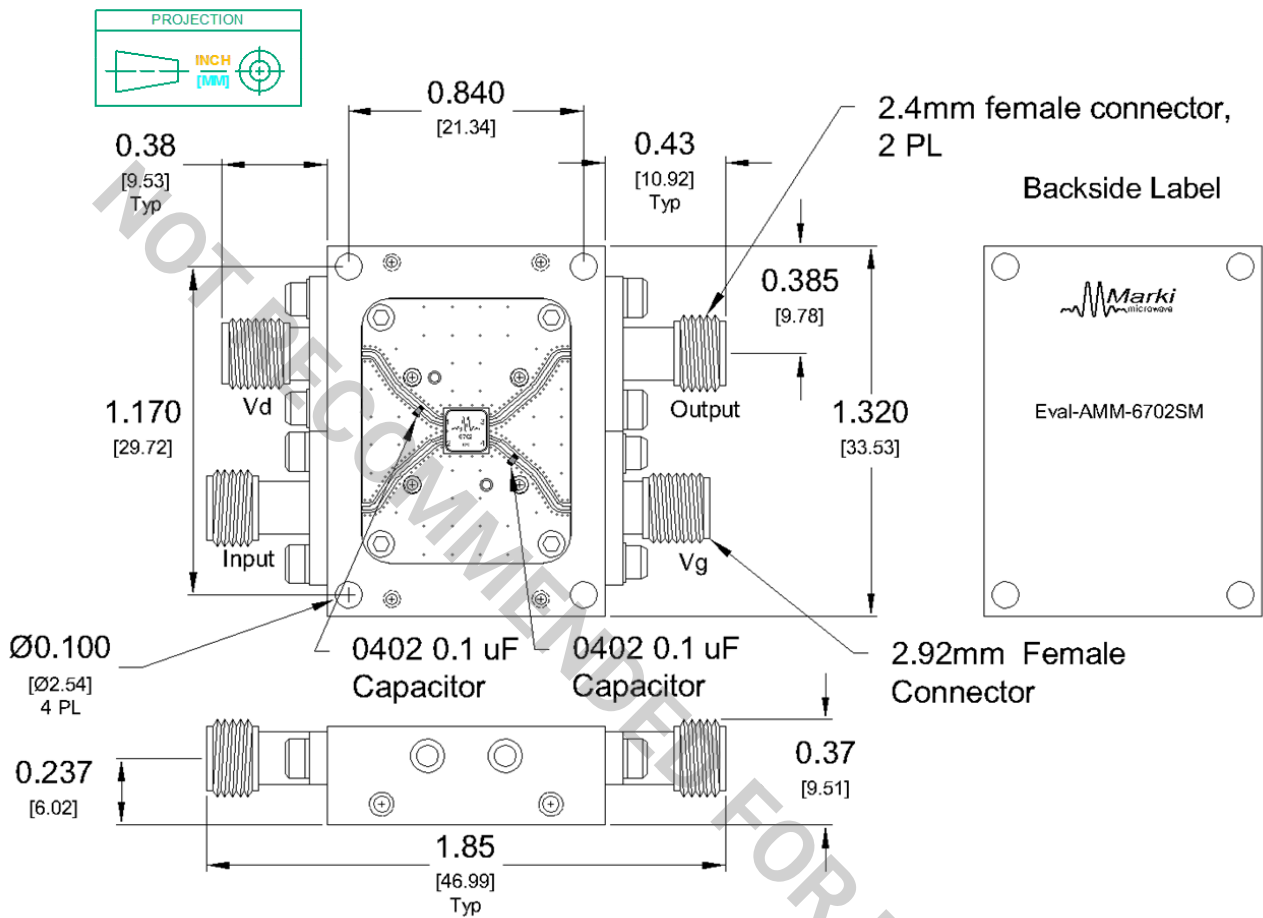
Outline Drawing



EVAL-AMM-6702SM

Evaluation Board, 20-50 GHz GaAs Surface Mount
LO Driver Amplifier

Evaluation Board - Outline Drawing



DISCLAIMER

MARKI MICROWAVE, INC., ("MARKI") PROVIDES TECHNICAL SPECIFICATIONS AND DATA (INCLUDING DATASHEETS), APPLICATION OR OTHER DESIGN ADVICE, WEB TOOLS, AND OTHER INFORMATION AND RESOURCES "AS IS" AND WITH ALL FAULTS. MARKI DISCLAIMS ALL WARRANTIES, EXPRESS OR IMPLIED, INCLUDING, WITHOUT LIMITATION, ANY IMPLIED WARRANTIES OF MERCHANTABILITY, FITNESS FOR A PARTICULAR PURPOSE, OR NON-INFRINGEMENT.

These resources are intended for developers skilled in the art designing with Marki products. You are solely responsible for (1) selecting the appropriate products for your application, (2) designing, validating, and testing your application, and (3) ensuring your application meets applicable standards and other requirements. Marki makes no guarantee regarding the suitability of its products for any particular purpose, nor does Marki assume any liability whatsoever arising out of your use or application of any Marki product.

Marki grants you permission to use these resources only for development of an application that uses Marki products. Other reproduction or use of these resources is strictly prohibited. No license is granted to any other Marki intellectual property or to any third-party intellectual property. Marki reserves the right to make changes to the product(s) or information contained herein without notice.

MARKI MICROWAVE and T3 MIXER are trademarks or registered trademarks of Marki Microwave, Inc. All other trademarks used are the property of their respective owners.

© 2022 - 2025, Marki Microwave, Inc

NOT RECOMMENDED FOR NEW DESIGN