

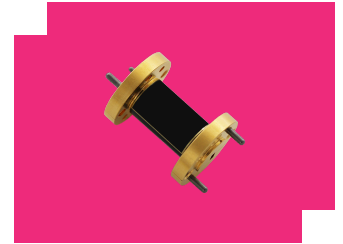
ATN00-10FL00WG

1" LP WR-10 0 dB Attenuator

DEVICE OVERVIEW

General Description

1" Low Power WR-10 0 dB Fixed Attenuators, operating from 75-110 GHz, are built with high precision and gold plated for high corrosion resistance. They have great VSWR and accurate attenuation.



Features

- Power Handling 1 W
- Length = 1 in.
- UG-387/U Flange

Applications

- 5G
- Frequency Extenders
- Communication Systems

Functional Block Diagram

N/A

Part Ordering Options

| Part Number | Description | Package | Green Status | Product Lifecycle | Export Classification |
|----------------|-----------------------------|---------|---------------|-------------------|-----------------------|
| ATN00-10FL00WG | 1" LP WR-10 0 dB Attenuator | WR-10 | REACH RoHS | Released | EAR99 |

Table Of Contents

- **Device Overview**
 - General Description
 - Features
 - Applications
- **Port Configuration and Functions**
 - Port Functions
- **Revision History**
- **Specifications**
 - Absolute Maximum Ratings
 - Electrical Specifications
- **Mechanical Data**
 - Outline Drawing

Revision History

| Revision Code | Revision Date | Comment |
|---------------|---------------|-----------------|
| - | 2024-05-01 | Initial Release |

Port Configuration and Functions

Port Functions

| Port | Function | Connector Type | Description | Equivalent Circuit for Package |
|--------|-------------------|----------------|------------------|--------------------------------|
| Port 1 | RF Input / Output | - | RF input/output. | - |
| Port 2 | RF Input / Output | - | RF input/output. | - |

Specifications

Absolute Maximum Ratings

| Parameter | Maximum Rating | Unit |
|----------------|----------------|------|
| Power Handling | 1 | W |

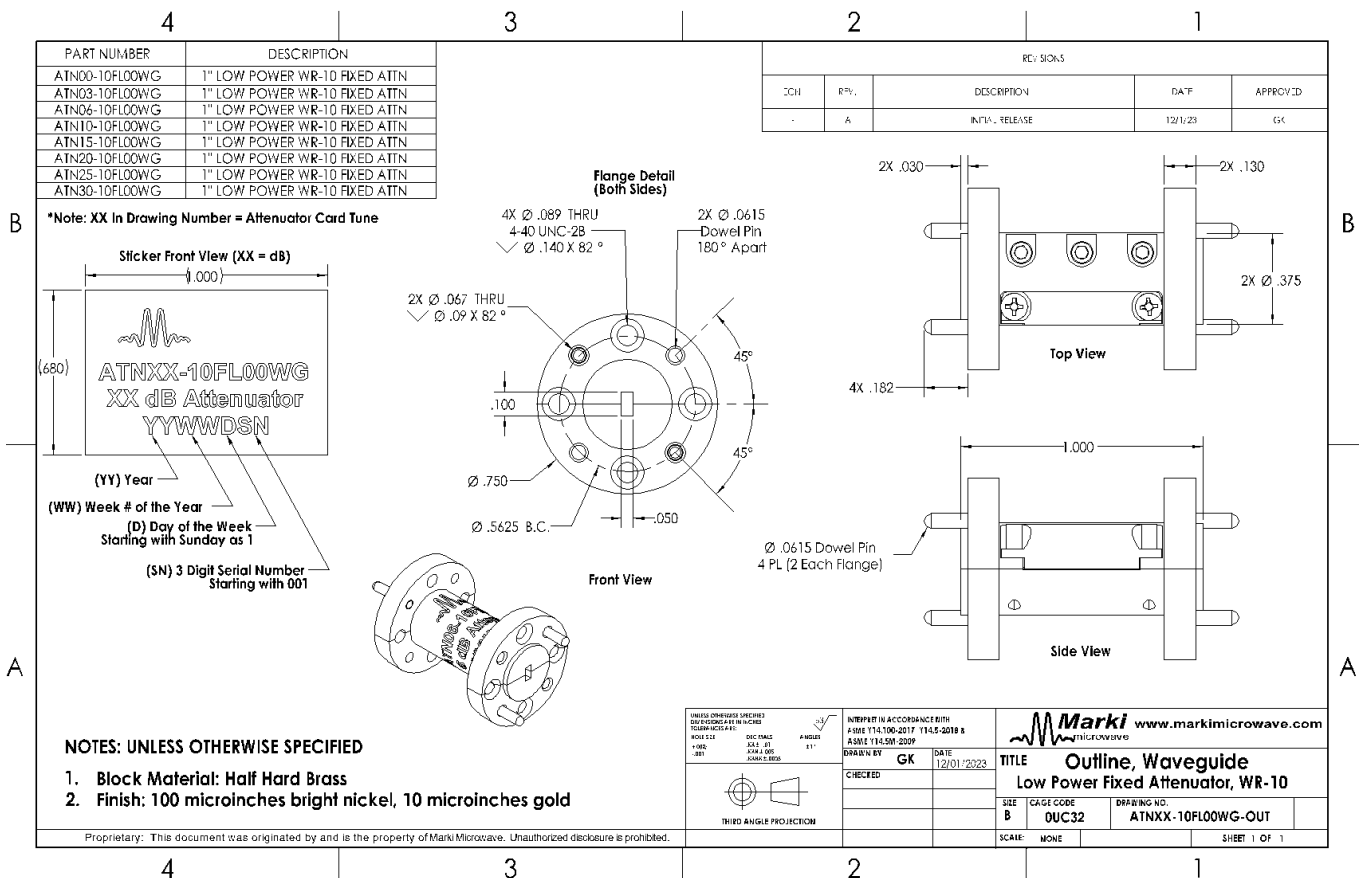
Electrical Specifications

| Parameter | Test Conditions | Minimum Frequency (GHz) | Maximum Frequency (GHz) | Min | Typ | Max | Unit |
|-------------|-----------------|-------------------------|-------------------------|-----|-----|-----|------|
| Attenuation | - | 75 | 110 | - | 1 | - | dB |
| Return Loss | - | 75 | 110 | - | 23 | - | dB |

Mechanical Data

Outline Drawing

Download : [Outline 2D Drawing](#) | [Outline 3D STP](#)



DISCLAIMER

MARKI MICROWAVE, INC., ("MARKI") PROVIDES TECHNICAL SPECIFICATIONS AND DATA (INCLUDING DATASHEETS), APPLICATION OR OTHER DESIGN ADVICE, WEB TOOLS, AND OTHER INFORMATION AND RESOURCES "AS IS" AND WITH ALL FAULTS. MARKI DISCLAIMS ALL WARRANTIES, EXPRESS OR IMPLIED, INCLUDING, WITHOUT LIMITATION, ANY IMPLIED WARRANTIES OF MERCHANTABILITY, FITNESS FOR A PARTICULAR PURPOSE, OR NON-INFRINGEMENT. These resources are intended for developers skilled in the art designing with Marki products. You are solely responsible for (1) selecting the appropriate products for your application, (2) designing, validating, and testing your application, and (3) ensuring your application meets applicable standards and other requirements. Marki makes no guarantee regarding the suitability of its products for any particular purpose, nor does Marki assume any liability whatsoever arising out of your use or application of any Marki product.

Marki grants you permission to use these resources only for development of an application that uses Marki products. Other reproduction or use of these resources is strictly prohibited. No license is granted to any other Marki intellectual property or to any third-party intellectual property. Marki reserves the right to make changes to the product(s) or information contained herein without notice.

MARKI MICROWAVE and T3 MIXER are trademarks or registered trademarks of Marki Microwave, Inc. All other trademarks used are the property of their respective owners.

© 2024, Marki Microwave, Inc