

EVB-MFLP-00011P

Evaluation Board, Passive GaAs MMIC 7.1GHz Lowpass Filter

DEVICE OVERVIEW

General Description

The EVB-MFLP-00011P is a connectorized evaluation board for the MFLP-00011PSM passive MMIC surface mount 7.1GHz lowpass filter.

[Download s-parameters here](#)



Features

N/A

Applications

N/A

Functional Block Diagram



Part Ordering Options

Part Number	Description	Package	Green Status	Product Lifecycle	Export Classification
MFLP-00011PSM	Passive GaAs MMIC 7.1 GHz Lowpass Filter	QFN	RoHS REACH	Released	EAR99
EVB-MFLP-00011P	Evaluation Board, Passive GaAs MMIC 7.1GHz Lowpass Filter	EVB	RoHS REACH	Released	EAR99

EVB-MFLP-00011P

Evaluation Board, Passive GaAs MMIC 7.1GHz Lowpass Filter

Table Of Contents

- **Device Overview**
 - General Description
 - Features
 - Applications
 - Functional Block Diagram
- **Revision History**
- **Specifications**
- **Mechanical Data**
 - Outline Drawing
- **Evaluation Board**
 - Evaluation Board Outline Drawing

Revision History

Revision Code	Revision Date	Comment
-	2024-12-13	Initial Release

EVB-MFLP-00011P

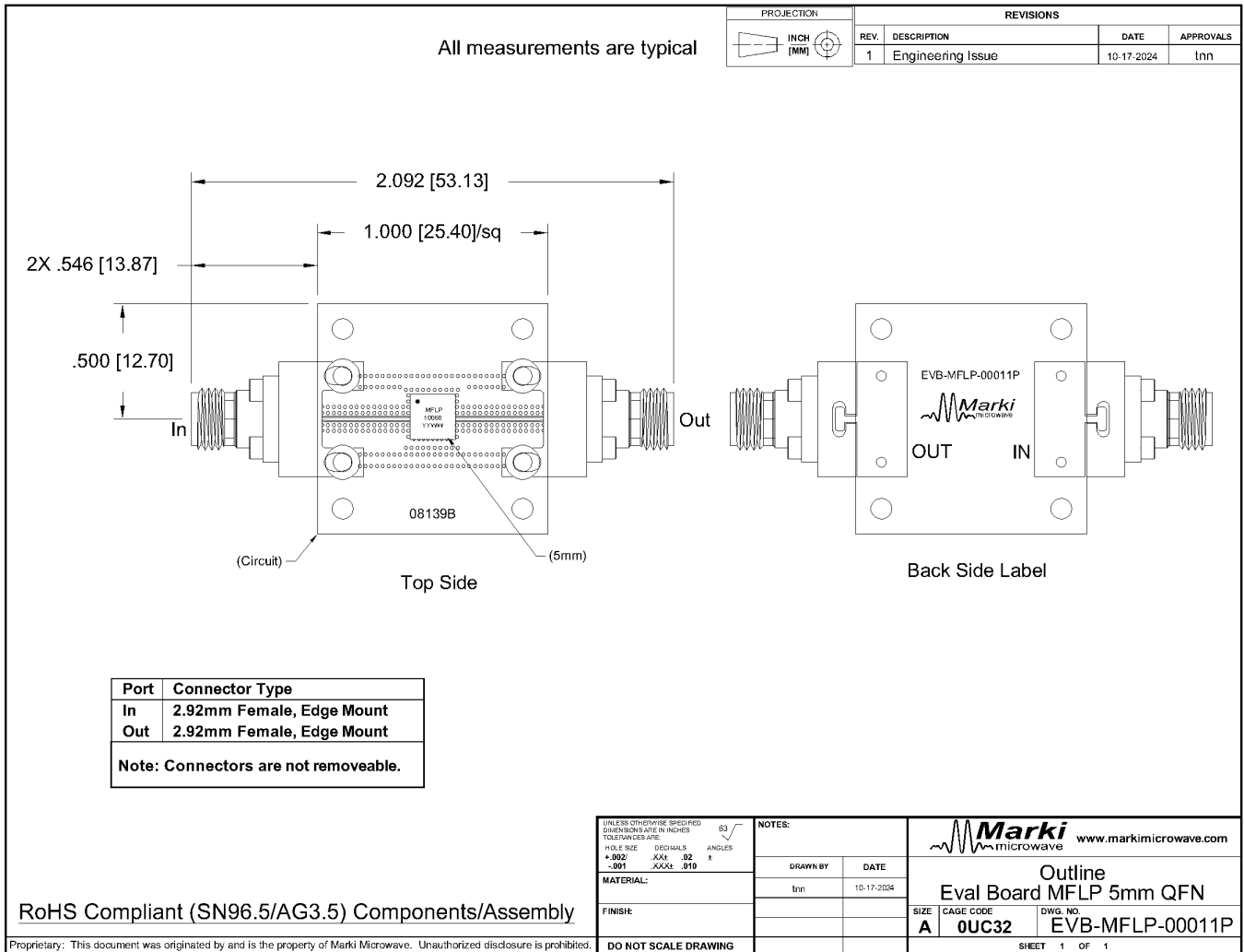
Evaluation Board, Passive GaAs MMIC 7.1GHz Lowpass Filter

Mechanical Data

Outline Drawing

Download : [Outline 2D Drawing](#)

All measurements are typical



Top Side Dimensions:
 Total width: 2.092 [53.13]
 Distance from left edge to center: 1.000 [25.40]/sq
 Distance from left edge to In port: 2X .546 [13.87]
 Distance from left edge to In port center: .500 [12.70]
 Component label: 08139B (5mm)

Back Side Label:
 EVB-MFLP-00011P
 Marki microwave logo
 OUT IN

PROJECTION		REVISIONS			
INCH	(MM)	REV.	DESCRIPTION	DATE	APPROVALS
1		1	Engineering Issue	10-17-2024	tnn

Port	Connector Type
In	2.92mm Female, Edge Mount
Out	2.92mm Female, Edge Mount

Note: Connectors are not removeable.

UNLESS OTHERWISE SPECIFIED: DIMENSIONS ARE IN INCHES TOLERANCES ARE		NOTES:		Marki microwave www.markimicrowave.com	
HOLE SIZE	DECIMALS ANGLES	DRAWN BY	DATE	Outline Eval Board MFLP 5mm QFN	
+ .002	.XX .02	tnn	10-17-2024		
- .001	.XX .010			SIZE	CAGE CODE
				A	0UC32
				DWG. NO.	EVB-MFLP-00011P
DO NOT SCALE DRAWING				SHEET 1 OF 1	

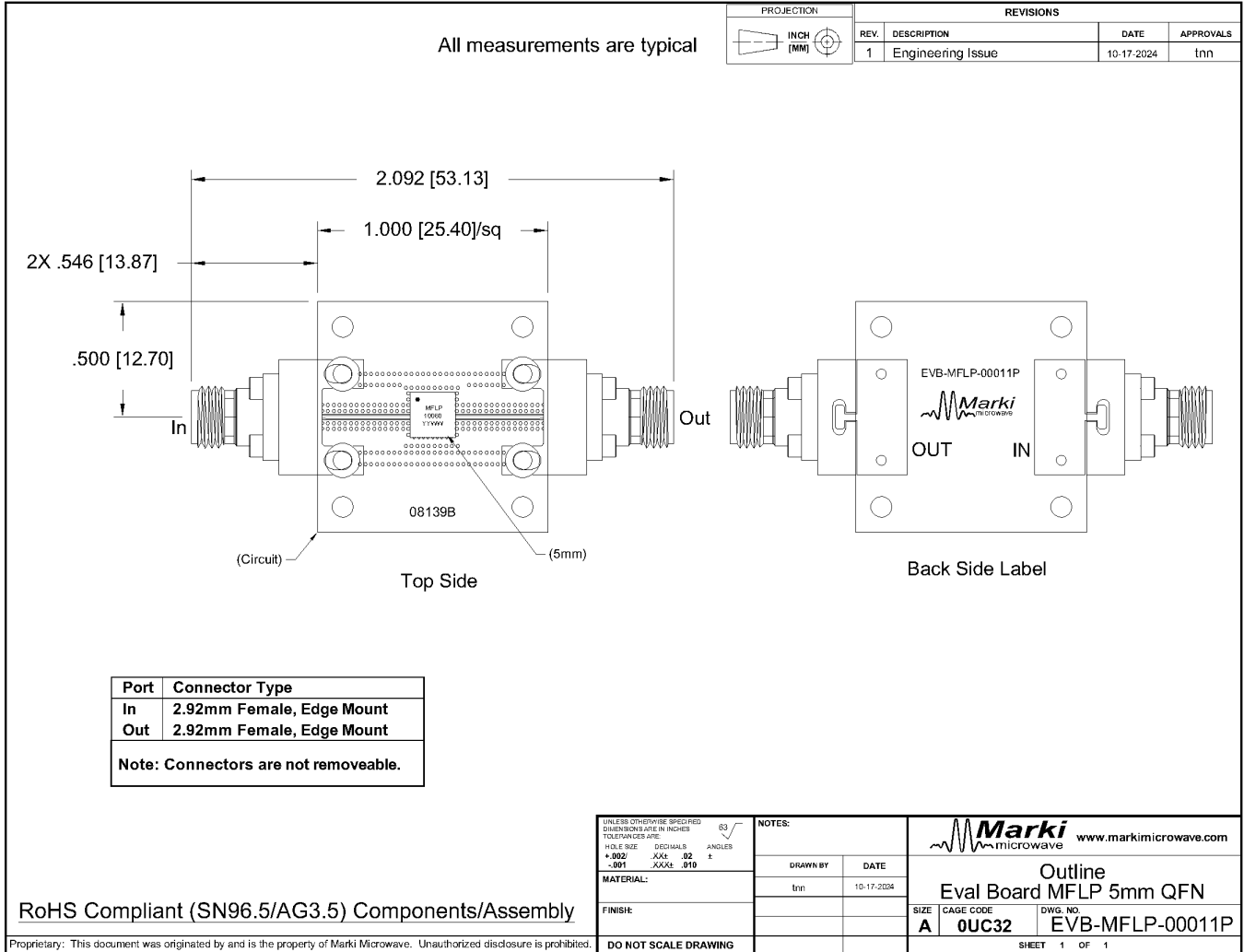
RoHS Compliant (SN96.5/AG3.5) Components/Assembly

Proprietary: This document was originated by and is the property of Marki Microwave. Unauthorized disclosure is prohibited.

EVb-MFLP-00011P

Evaluation Board, Passive GaAs MMIC 7.1GHz Lowpass Filter

Evaluation Board - Outline Drawing



DISCLAIMER

MARKI MICROWAVE, INC., ("MARKI") PROVIDES TECHNICAL SPECIFICATIONS AND DATA (INCLUDING DATASHEETS), APPLICATION OR OTHER DESIGN ADVICE, WEB TOOLS, AND OTHER INFORMATION AND RESOURCES "AS IS" AND WITH ALL FAULTS. MARKI DISCLAIMS ALL WARRANTIES, EXPRESS OR IMPLIED, INCLUDING, WITHOUT LIMITATION, ANY IMPLIED WARRANTIES OF MERCHANTABILITY, FITNESS FOR A PARTICULAR PURPOSE, OR NON-INFRINGEMENT. These resources are intended for developers skilled in the art designing with Marki products. You are solely responsible for (1) selecting the appropriate products for your application, (2) designing, validating, and testing your application, and (3) ensuring your application meets applicable standards and other requirements. Marki makes no guarantee regarding the suitability of its products for any particular purpose, nor does Marki assume any liability whatsoever arising out of your use or application of any Marki product.

Marki grants you permission to use these resources only for development of an application that uses Marki products. Other reproduction or use of these resources is strictly prohibited. No license is granted to any other Marki intellectual property or to any third-party intellectual property. Marki reserves the right to make changes to the product(s) or information contained herein without notice.

MARKI MICROWAVE and T3 MIXER are trademarks or registered trademarks of Marki Microwave, Inc. All other trademarks used are the property of their respective owners.

© 2024, Marki Microwave, Inc