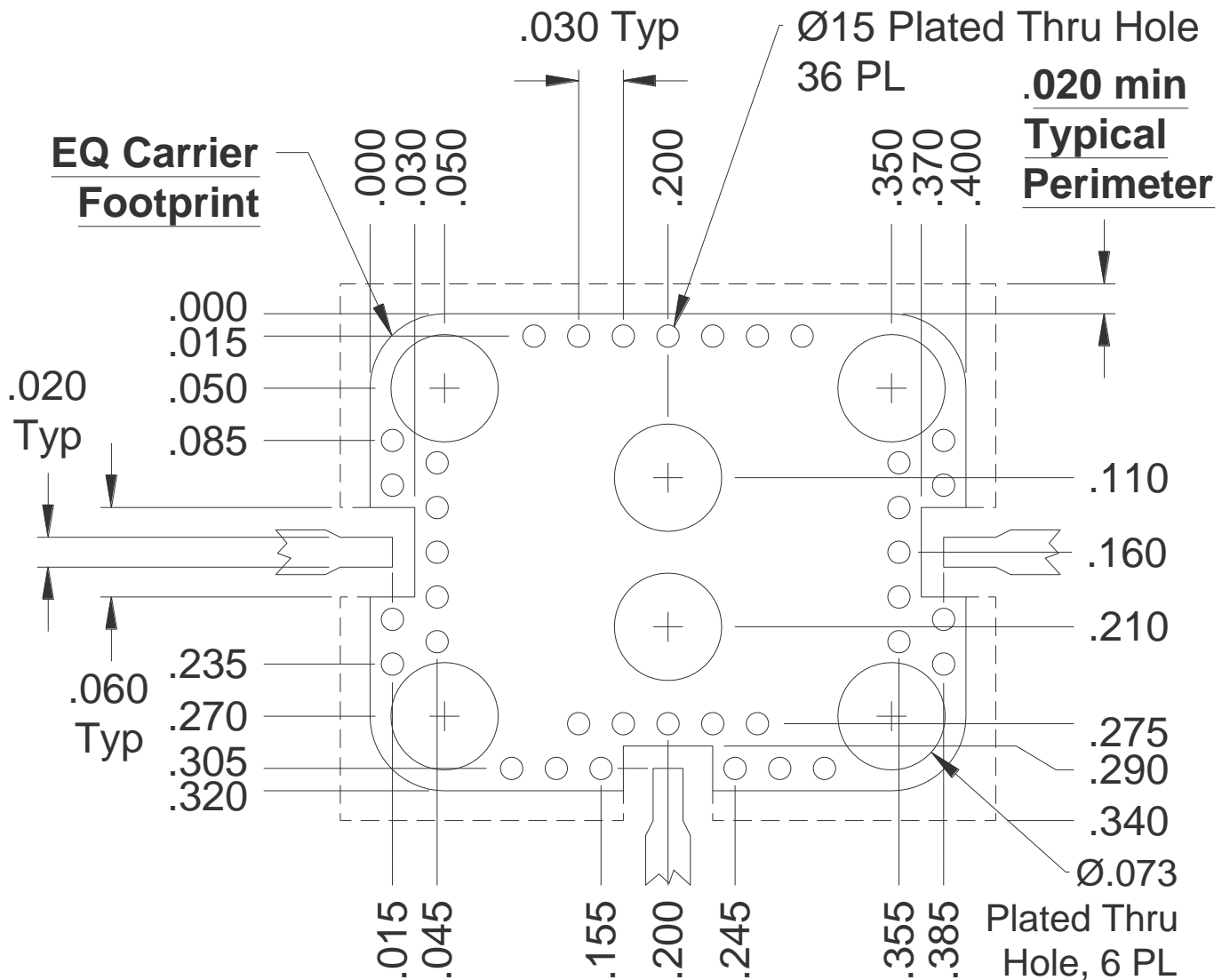




215 Vineyard Court
 Morgan Hill, CA 95037
 Phone (408) 778-4200
 FAX (408) 778-4300
Website: MarkiMicrowave.com

EQ Carrier Surface-Mount System Circuit Footprint

Refer to EQ Surface-Mount Application Note 601-03864 for mounting option details.



A trace only for the applicable IF is required.

[Click here for a dxf of the above layout.](#)