

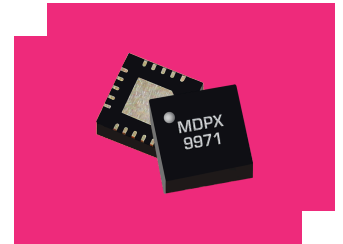
MDPX-00005PSM

Passive MMIC 9GHz Diplexer/Reflectionless Filter

DEVICE OVERVIEW

General Description

The MDPX-00005PSM is a MMIC surface mount diplexer capable of multiplexing low frequency DC to 8 GHz and high frequency 10 to 28 GHz signals. Passive GaAs MMIC technology allows production of smaller filter constructions that replace larger form factor circuit board constructions. Tight fabrication tolerances allow for less unit-to-unit variation than traditional filter technologies. The MDPX-00005PSM is available as a 4x4mm QFN and connectorized evaluation board. Low unit to unit variation allows for accurate simulations using the provided S3P file taken from measured production units.



[Download s-parameters here](#)

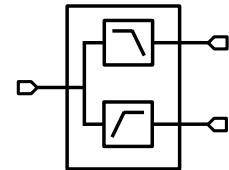
Features

- Excellent ≤ 1 dB Insertion Loss
- 9 GHz Crossover Point
- High Stop Band Suppression
- Reflectionless Filter

Applications

- SATCOM
- Reflectionless Filter Applications
- Electronic Warfare

Functional Block Diagram



Part Ordering Options

Part Number	Description	Package	Green Status	Product Lifecycle	Export Classification
MDPX-00005PSM	Passive MMIC 9GHz Diplexer/Reflectionless Filter	QFN	RoHS REACH	Released	EAR99
EVB-MDPX-00005P	Evaluation Board, Passive MMIC 9 GHz Diplexer/Reflectionless Filter	EVB	RoHS REACH	Released	EAR99

MDPX-00005PSM

Passive MMIC 9GHz Diplexer/Reflectionless Filter

Table Of Contents

- **Device Overview**
 - General Description
 - Features
 - Applications
 - Functional Block Diagram
- **Port Configuration and Functions**
 - Port Diagram
 - Port Functions
- **Revision History**
- **Specifications**
 - Absolute Maximum Ratings
 - Package Information
 - Electrical Specifications
 - Typical Performance Plot
- **Operation**
 - Application Information
- **Mechanical Data**
 - Outline Drawing
- **Footprint Image**
- **Evaluation Board**
 - Evaluation Board Outline Drawing

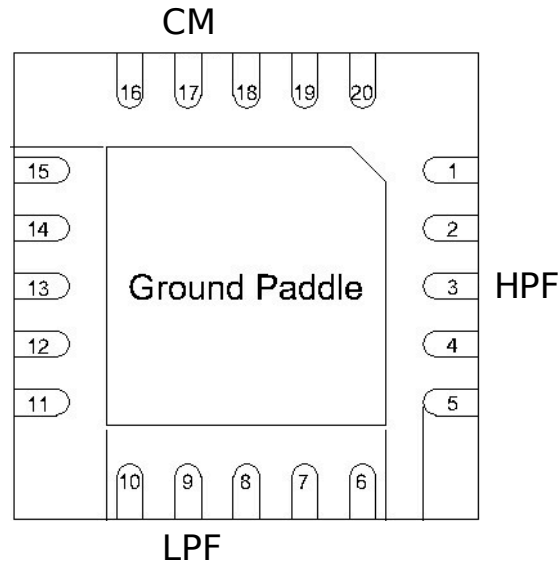
Revision History

Revision Code	Revision Date	Comment
-	2024-12-04	Initial Release

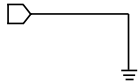
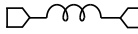
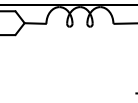
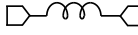
Port Configuration and Functions

Port Diagram

A bottom-up x-ray view of the MDPX-00005PSM's PSM package outline drawing is shown below. Input to the diplexer is on Pin 17, Pin 3 will be the output after passing through a high pass filter and Pin 9 will be the output after passing through the low pass filter.



Port Functions

Port	Function	Description	DC Equivalent Circuit
Ground Paddle	Ground	PSM package ground path is provided through the ground paddle and should be connected to RF ground.	
Pin 17	Common/Input	Pin 17 is DC short to Pin 9 and open to GND and Pin 3.	
Pin 3	High Pass Filter	Pin 3 is DC short to GND and open to the other ports.	
Pin 9	Low Pass Filter	Pin 9 is DC short to Pin 17 and open to GND and Pin 3.	

Specifications

Absolute Maximum Ratings

The Absolute Maximum Ratings indicate limits beyond which damage may occur to the device. If these limits are exceeded or met simultaneously the device may be inoperable or have a reduced lifetime.

Parameter	Maximum Rating	Unit
Maximum Operating Temperature	100	°C
Maximum Storage Temperature	100	°C
Minimum Operating Temperature	-65	°C
Minimum Storage Temperature	-65	°C
RF Power Handling	30	dBm

Package Information

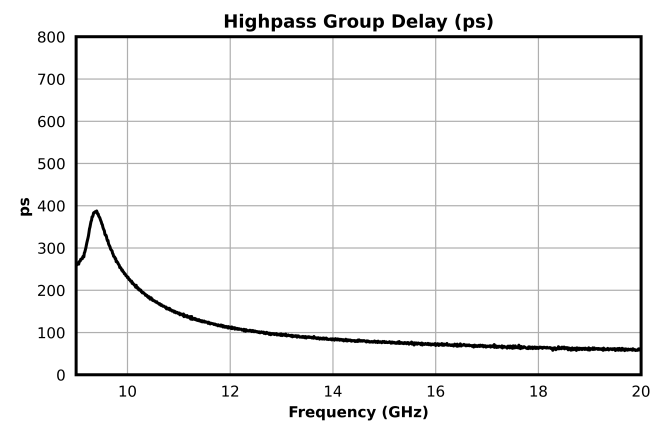
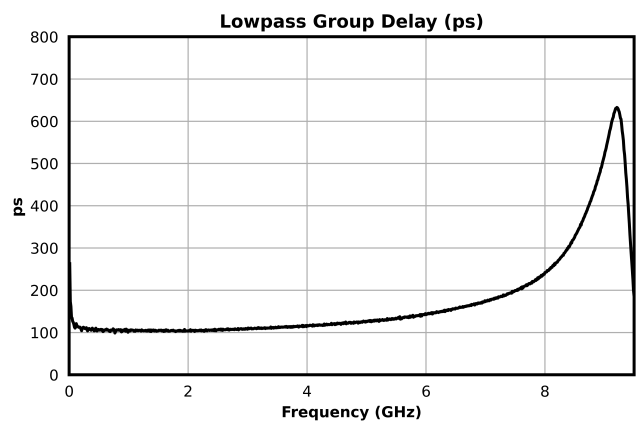
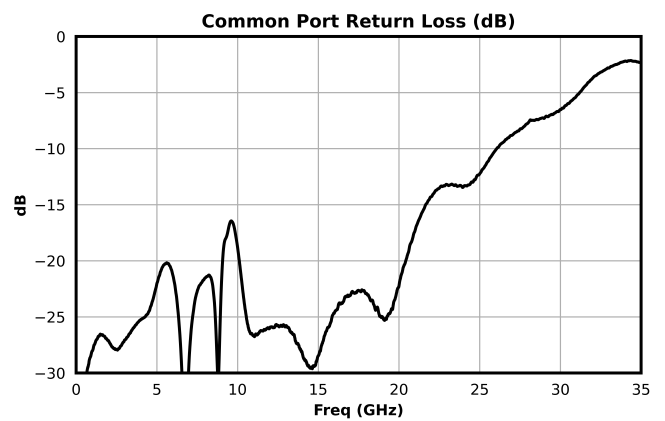
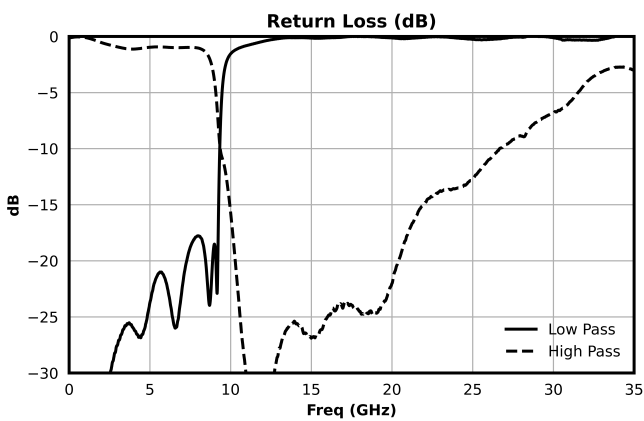
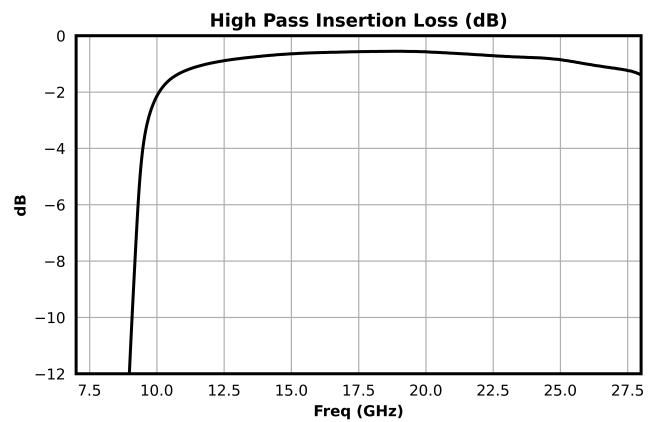
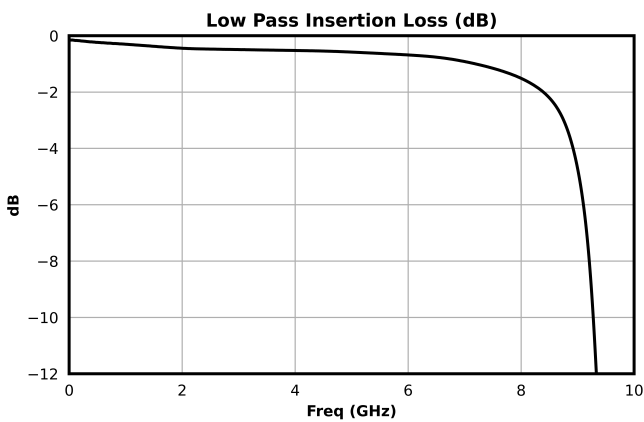
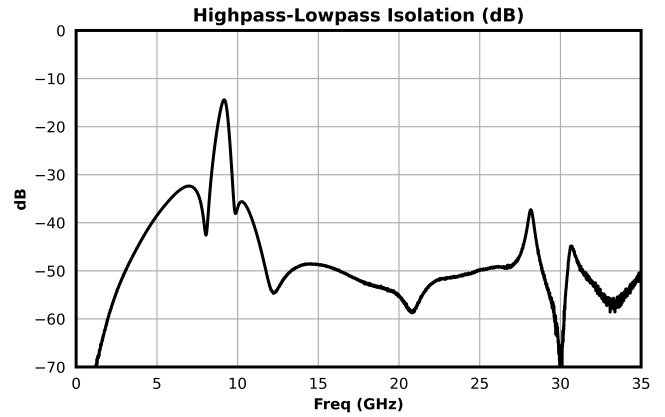
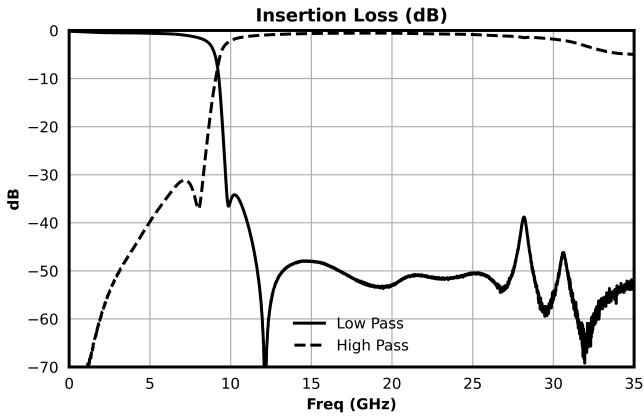
Parameter	Details	Rating
Dimensions	-	4 x 4 mm
Moisture Sensitivity Level	-	MSL 1

Electrical Specifications

The electrical specifications apply at TA=+25°C in a 50Ω system. Typical data shown is for the filter in a PSM package with a sine wave input applied to Pin 17. Min and Max limits are guaranteed at TA=+25°C.

Parameter	Test Conditions	Minimum Frequency (GHz)	Maximum Frequency (GHz)	Min	Typ	Max	Unit
1 dBc High Passband	-	-	-	10.5	-	28	GHz
1 dBc Low Passband	-	-	-	0	-	7.49	GHz
30 dBc High Pass Rejection Point	-	8.31	8.31	-	-	-	dB
30 dBc Low Pass Rejection Point	-	9.69	9.69	-	-	-	GHz
3 dBc High Passband	-	9.55	28	-	-	-	GHz
3 dBc Low Passband	-	0	8.78	-	-	-	GHz
Common Port Return Loss	-	0	28	-	22	-	dB
Cross Over Frequency	-	9.2	9.2	-	-	-	GHz
Crossover Isolation	-	7.49	10.5	-	17	-	dB
Group Delay, High Band	-	-	-	-	60	-	ps
Group Delay, Low Band	-	-	-	-	114	-	ps
High Band Center Frequency	-	19.25	19.25	-	-	-	GHz
High Pass Filter, Pass Band Insertion Loss	-	-	-	-	0.6	-	dB
High Pass Filter, Pass Band Return Loss	-	10.5	28	-	21	-	dB
High Pass Isolation	-	10.5	28	-	51	-	dB
Impedance	-	-	-	-	50	-	Ω
Low Band Center Frequency	-	3.75	3.75	-	-	-	GHz
Low Pass Filter, Pass Band Insertion Loss	-	-	-	-	0.5	-	dB
Low Pass Filter, Pass Band Return Loss	-	0	7.49	-	28	-	dB
Low Pass Isolation	-	0	7.49	-	42	-	dB

Typical Performance Plot

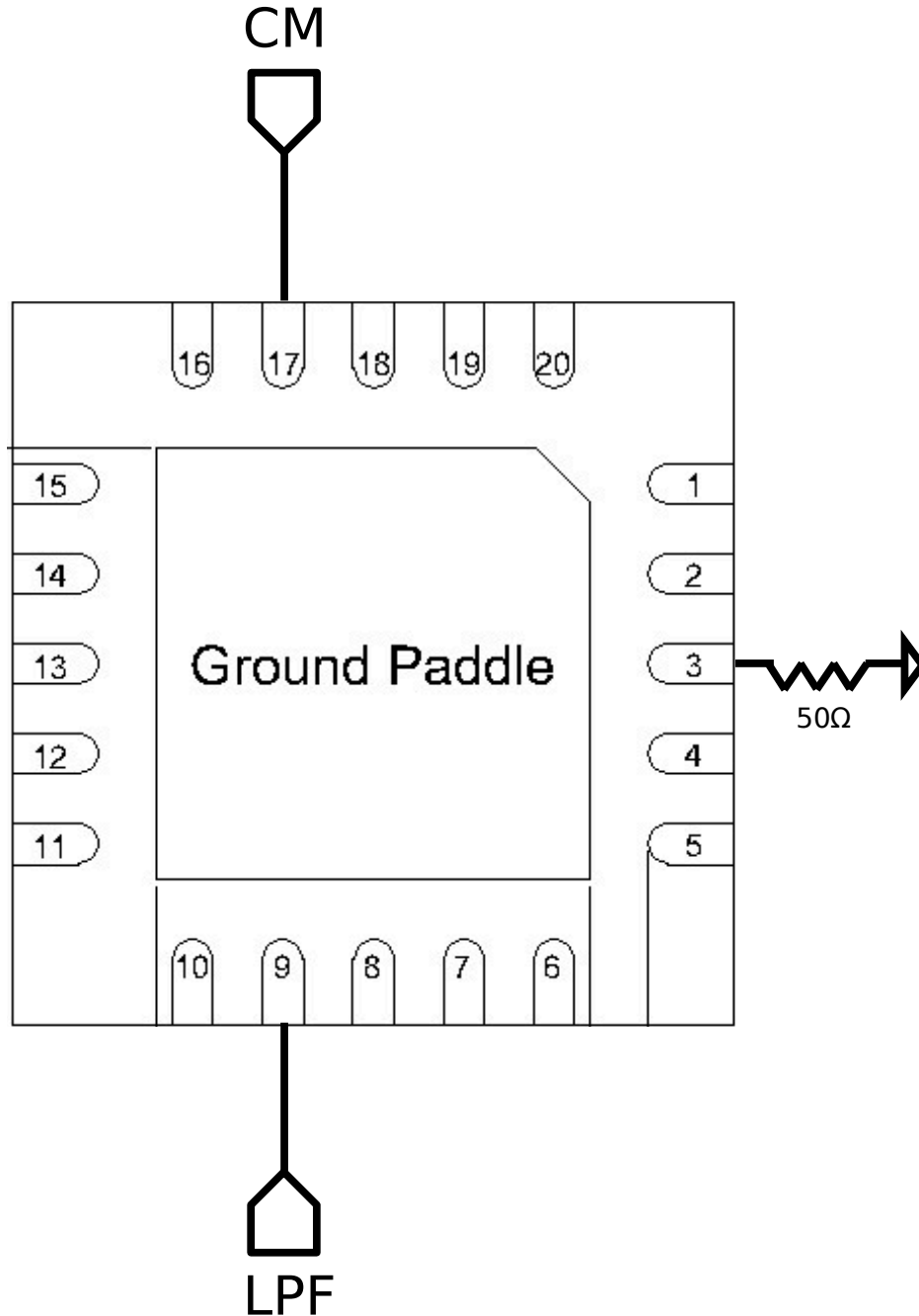


Application Information

Example Reflectionless Filter

Terminating the High-Pass port (Pin 3) with $50\ \Omega$ enables one-way reflectionless low-pass filtering from the Common port (Pin 17) to the Low-Pass port (Pin 9).

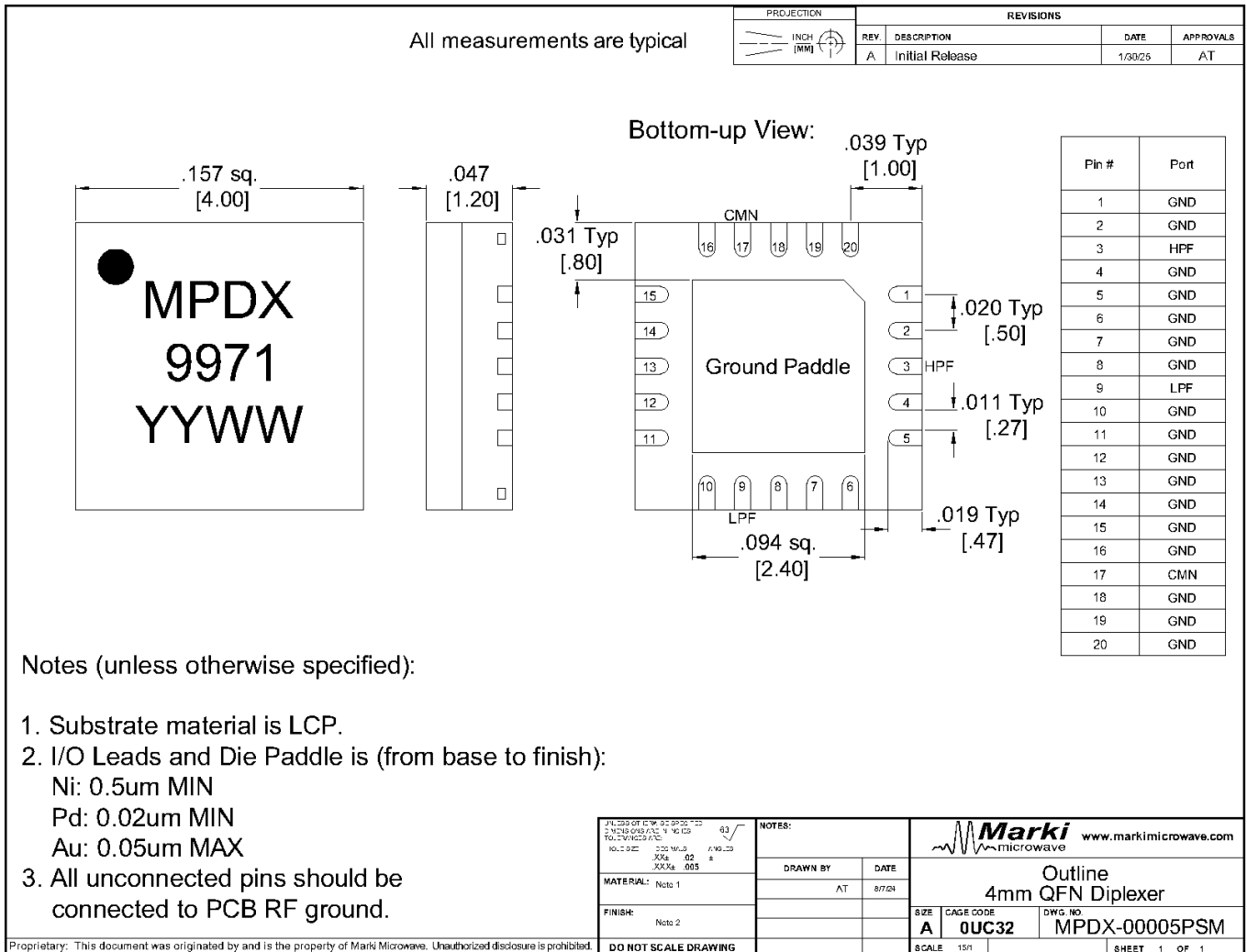
Terminating the Low-Pass port (Pin 9) with $50\ \Omega$ enables one-way reflectionless high-pass filtering from the Common port (Pin 17) to the High-Pass port (Pin 3).



Mechanical Data

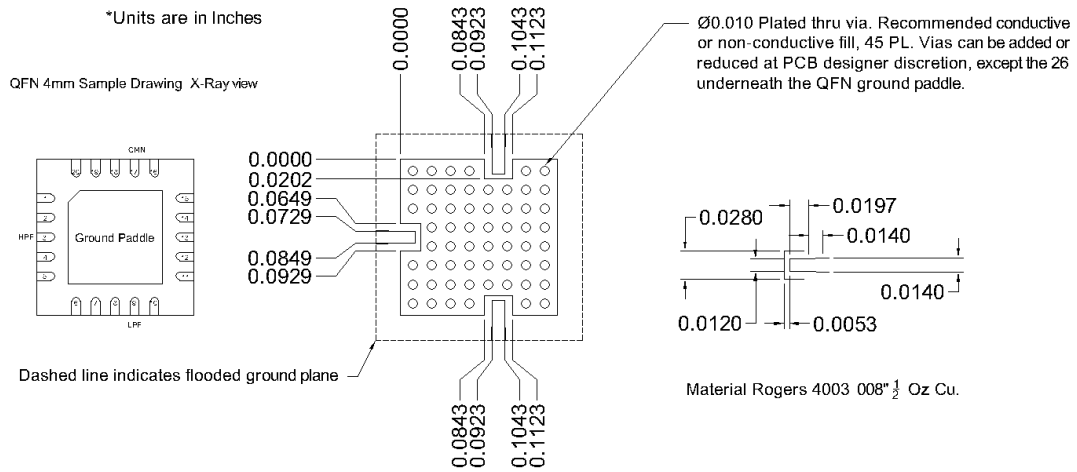
Outline Drawing

Download : [Outline 2D Drawing](#) | [Outline 3D Drawing](#) | [Outline 3D STP](#)

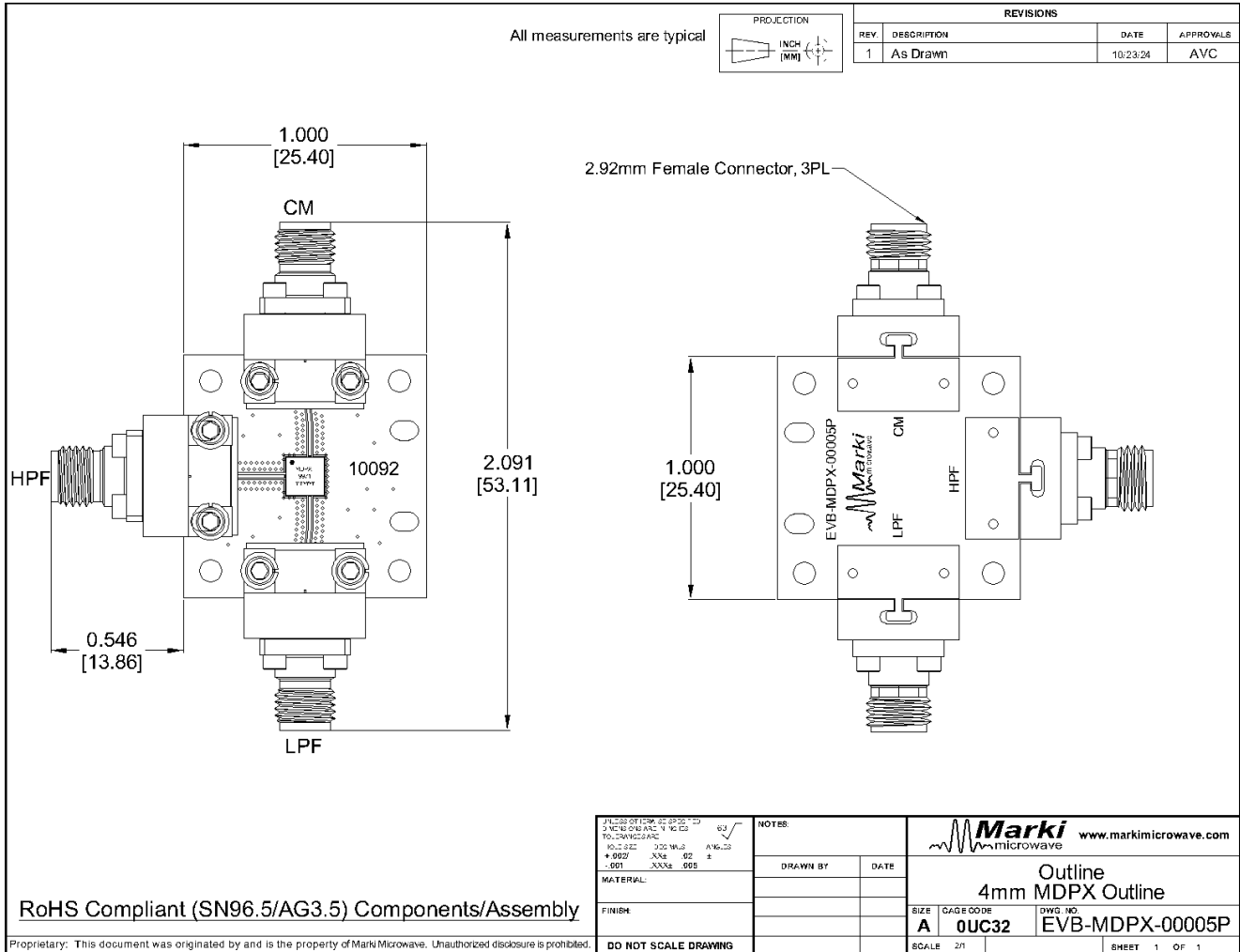


Footprint Image

Download : [Footprint Drawing](#)



Evaluation Board - Outline Drawing



DISCLAIMER

MARKI MICROWAVE, LLC., ("MARKI") PROVIDES TECHNICAL SPECIFICATIONS AND DATA (INCLUDING DATASHEETS), APPLICATION OR OTHER DESIGN ADVICE, WEB TOOLS, AND OTHER INFORMATION AND RESOURCES "AS IS" AND WITH ALL FAULTS. MARKI DISCLAIMS ALL WARRANTIES, EXPRESS OR IMPLIED, INCLUDING, WITHOUT LIMITATION, ANY IMPLIED WARRANTIES OF MERCHANTABILITY, FITNESS FOR A PARTICULAR PURPOSE, OR NON-INFRINGEMENT.

These resources are intended for developers skilled in the art designing with Marki products. You are solely responsible for (1) selecting the appropriate products for your application, (2) designing, validating, and testing your application, and (3) ensuring your application meets applicable standards and other requirements. Marki makes no guarantee regarding the suitability of its products for any particular purpose, nor does Marki assume any liability whatsoever arising out of your use or application of any Marki product.

Marki grants you permission to use these resources only for development of an application that uses Marki products. Other reproduction or use of these resources is strictly prohibited. No license is granted to any other Marki intellectual property or to any third-party intellectual property. Marki reserves the right to make changes to the product(s) or information contained herein without notice.

MARKI MICROWAVE and T3 MIXER are trademarks or registered trademarks of Marki Microwave, LLC. All other trademarks used are the property of their respective owners.

© 2024, Marki Microwave, LLC