

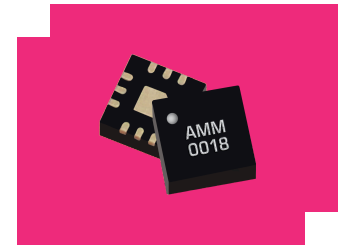
AMM-10860PSM

10-30 GHz Broadband Driver Gain Block Amplifier

DEVICE OVERVIEW

General Description

The AMM-10860PSM is a wideband pHEMT-based GaAs surface-mount gain block driver amplifier operating from 10 to 30 GHz. This amplifier offers high gain at 24.5 dB, +21.5 dBm saturated output power, and strong linearity with output IP3 of +28.5 dBm. It's an excellent driver for our H- and S-diode mixers and multipliers, and comes in a compact 3 mm surface-mount package for easy integration onto printed circuit boards.



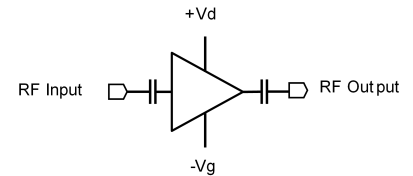
Features

- Wideband, 10 to 30 GHz
- High Gain, 24.5 dB Typical
- Positive Gain Slope
- High Output Power, +21.5 dBm Typical
- Minimal Application Circuit
- Internal Blocking Capacitors
- Small 3 x 3 mm QFN Package

Applications

- Satellite Communications
- Test and Measurement Equipment
- LO Driver Amplifier

Functional Block Diagram



Part Ordering Options

Part Number	Description	Package	Green Status	Product Lifecycle	Export Classification
AMM-10860PSM	10-30 GHz Broadband Driver Gain Block Amplifier	Plastic QFN	REACH RoHS	Released	EAR99
EVB-AMM-10860P	Evaluation Board, 10 - 30 GHz Broadband Power Amplifier	EVB	REACH RoHS	Released	EAR99

Table Of Contents

- **Device Overview**
 - General Description
 - Features
 - Applications
 - Functional Block Diagram
- **Port Configuration and Functions**
 - Port Diagram
 - Port Functions
- **Revision History**
- **Specifications**
 - Absolute Maximum Ratings
 - Package Information
 - Recommended Operating Conditions
 - Sequencing Requirements
 - Electrical Specifications
 - Typical Performance Plots (vs Bias)
 - Typical Performance Plots (vs Temperature)
- **Operation**
 - Application Information
 - Application Circuit
 - Application Circuit Description
- **Mechanical Data**
 - Outline Drawing
- **Footprint Image**
- **Evaluation Board**
 - Evaluation Board Outline Drawing

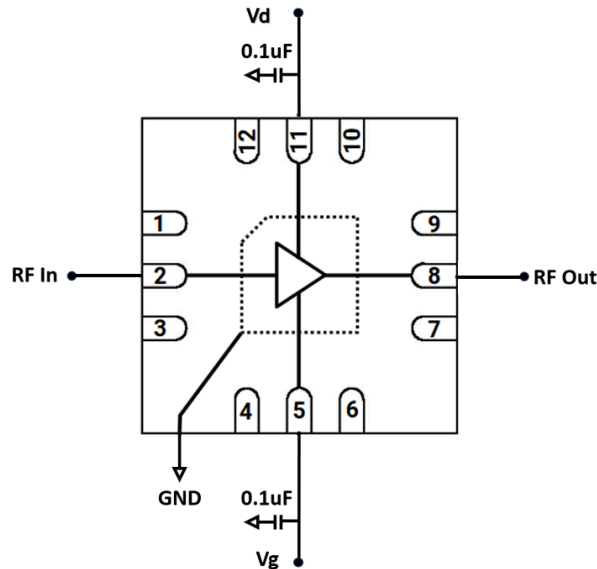
Revision History

Revision Code	Revision Date	Comment
-	2026-04-01	Initial Release

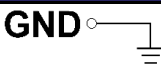
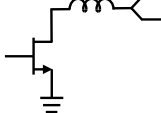
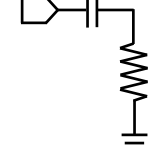
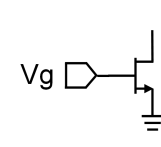
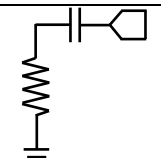
Port Configuration and Functions

Port Diagram

A port diagram of the AMM-10860PSM is shown below (X-ray view).



Port Functions

Port	Function	Description	DC Equivalent Circuit
Ground Paddle	Ground	Ground paddle and non-connected pins must be connected to a DC/RF ground potential with high thermal and electrical conductivity, and low inductance.	GND 
Pin 11	Vd	Pin 11 is the DC bias supply for the amplifier. The voltage at this pin should be set to 4V for normal operation. This part requires an off-chip bypass capacitor of 0.1uF installed at this pin as close to the IC as possible. See applications circuit.	
Pin 2	RF Input	Pin 2 is the amplifier's RF input pin. This port is internally matched to 50 Ohms and is internally DC blocked.	
Pin 5	Vg	This is the negative DC bias voltage for the amplifier IC. The voltage at this pin controls the current draw Id of the part. Higher voltage results in higher current. For normal operation, the voltage at this pin is adjusted to produce an Id of 136mA when Vd=4V. This part requires an off-chip 0.1uF bypass capacitor installed at this pin as close to the IC as possible. See applications circuit.	
Pin 8	RF Output	Pin 8 is the amplifier's RF output pin. This port is internally matched to 50 Ohms and is internally DC blocked.	

Specifications

Absolute Maximum Ratings

The Absolute Maximum Ratings indicate limits beyond which damage may occur to the device. If these limits are exceeded, the device may be inoperable or have a reduced lifetime. This amplifier is designed and characterized in a 50Ω system, and operation in a reflective environment can cause performance degradation.

Parameter	Maximum Rating	Unit
Maximum Operating Temperature	85	°C
Maximum Storage Temperature	150	°C
Max Junction Temperature for MTTF > 1E6 hours	175	°C
Minimum Operating Temperature	-40	°C
Minimum Storage Temperature	-65	°C
Positive Drain Supply Current (with RF Input)	200	mA
Positive Drain Supply Voltage (Vd)	4.5	V
RF Input Power	15	dBm
Gate Supply Voltage (Vg)	0	V
Thermal Resistance, θJC	110	°C/W

Package Information

Parameter	Details	Rating
ESD	< 250 Volts	HBM Class 0
Dimensions	-	3 x 3 mm
Moisture Sensitivity Level	-	MSL 1

Recommended Operating Conditions

The Recommended Operating Conditions indicate the limits, inside which the device should be operated, to guarantee the performance given in Electrical Specifications. Operating outside these limits may not necessarily cause damage to the device, but the performance may degrade outside the limits of the Electrical Specifications. For limits, above which damage may occur, see Absolute Maximum Ratings .

Parameter	Min	Nominal	Max	Unit
Power Supply DC Voltage (Vd)	3	4	4	V
Ambient Temperature	-40	25	85	°C
Gate Bias DC Voltage (Vg)	-0.3	-0.16	-0.05	V
Positive DC Current (Id) (No RF Input)	104	136	168	mA

Sequencing Requirements

Turn-on Procedure:

1. Apply Vg
2. Apply Vd

Turn-off Procedure:

1. Turn off Vd
2. Turn off Vg

Note: RF input power can be injected at any moment in the bias sequencing procedure.

Electrical Specifications

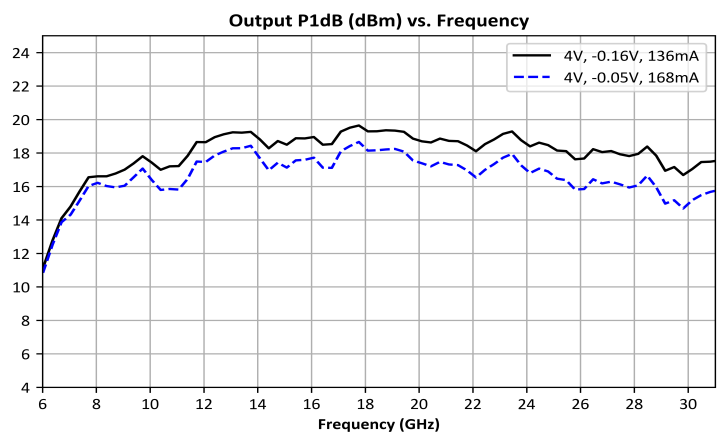
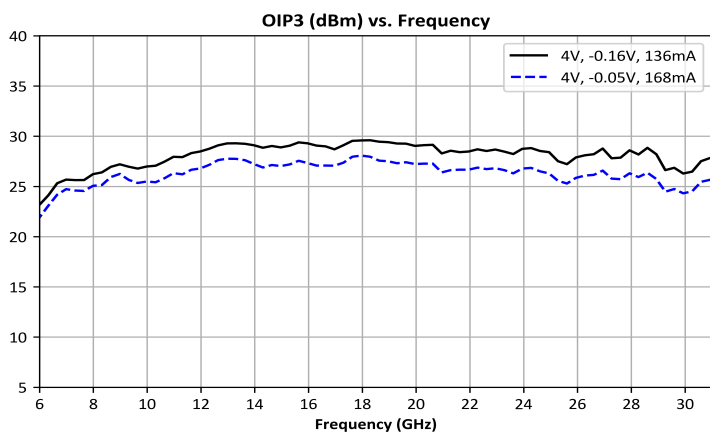
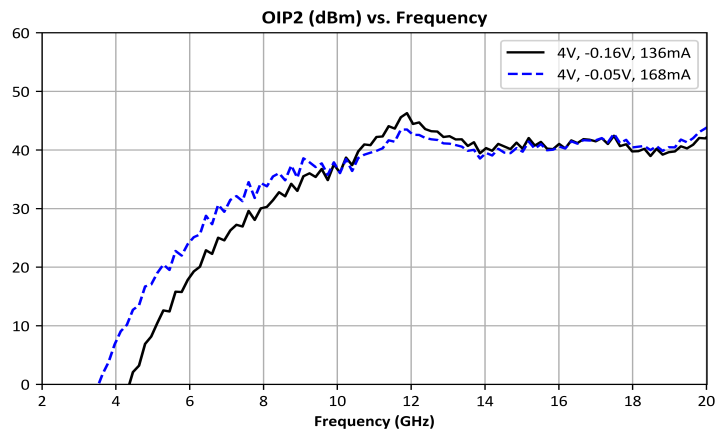
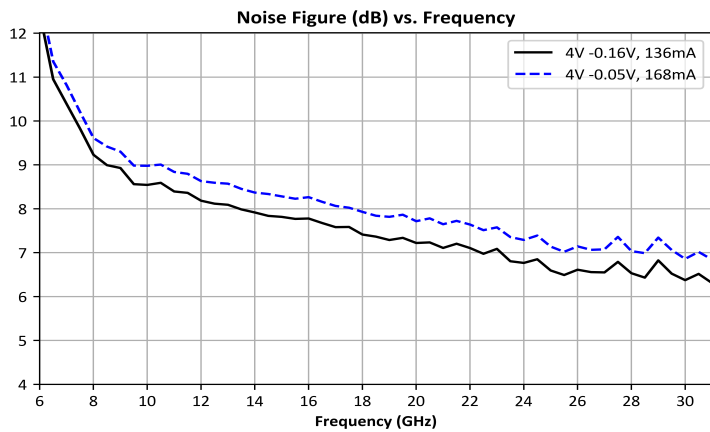
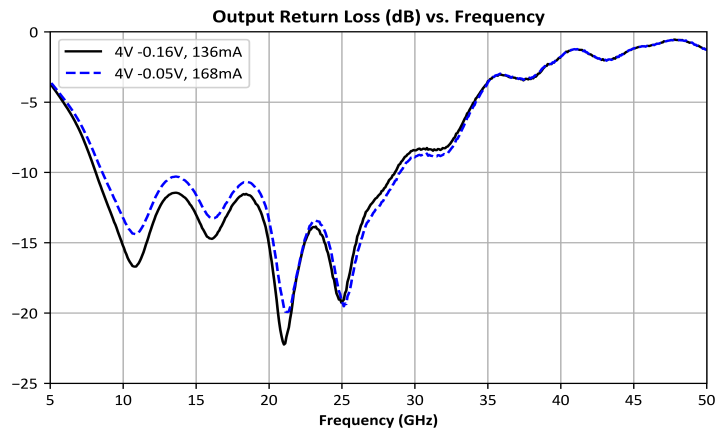
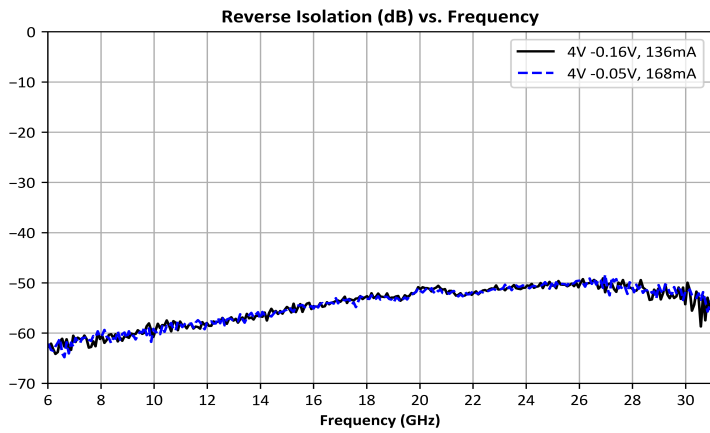
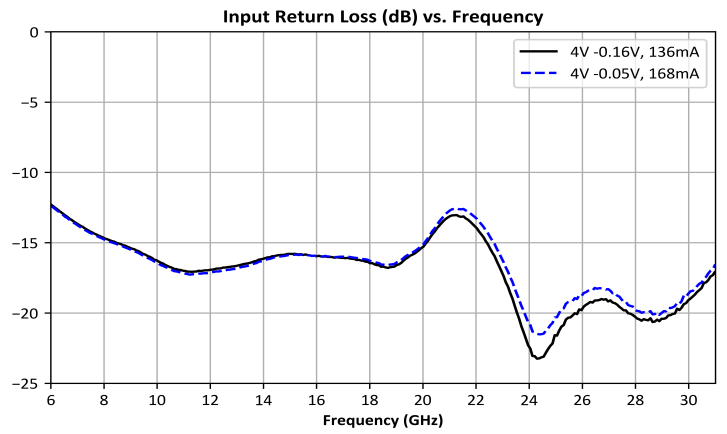
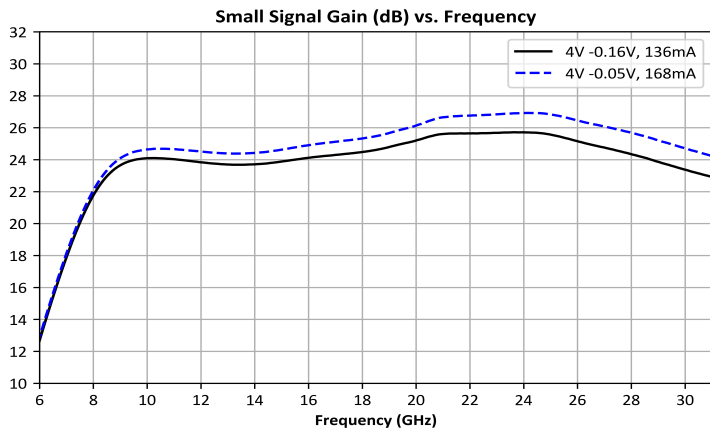
The electrical specifications apply at TA=+25°C in a 50Ω system. QFNs are 100% RF tested.

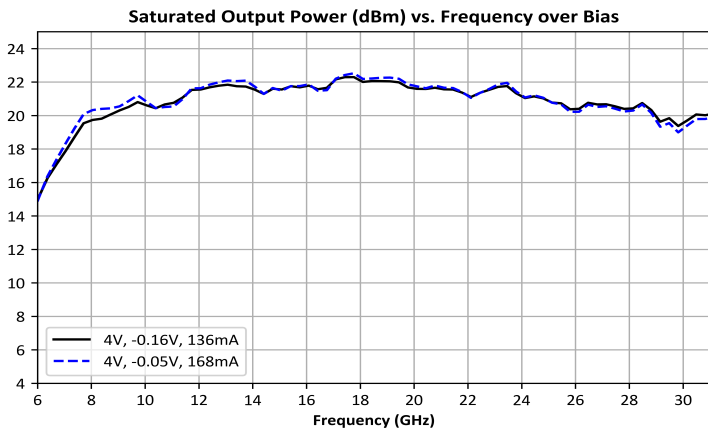
Parameter	Test Conditions	Minimum Frequency (GHz)	Maximum Frequency (GHz)	Min	Typ	Max	Unit
Small Signal Gain	4V/-0.16V, 136mA	10	30	-	24.4	-	dB
Input Return Loss	4V/-0.16V, 136mA	10	30	-	17	-	dB
Output Return Loss	4V/-0.16V, 136mA	10	30	-	14	-	dB
Reverse Isolation	4V/-0.16V, 136mA	10	30	-	53	-	dB
Saturated Output Power	4V/-0.16V, 136mA	10	30	-	21.54	-	dB
Input P1dB	4V/-0.16V, 136mA	10	30	-	-5	-	dBm
Output P1dB	4V/-0.16V, 136mA	10	30	-	18.5	-	dBm
Input IP3	4V/-0.16V, 136mA, -15dBm input power, 1 MHz tone spacing	10	30	-	4	-	dBm
Current Consumption ¹	4V/-0.16V bias	-	-	-	136	-	mA
Output IP3	4V/-0.16V, 136mA, -15dBm input power, 1 MHz tone spacing	10	30	-	28.5	-	dBm
Input IP2	4V/-0.16V, 136mA, -15dBm input power, 1 MHz tone spacing	10	15	-	18	-	dBm
Output IP2	4V/-0.16V, 136mA, -15dBm input power, 1 MHz tone spacing	10	15	-	41.5	-	dBm
Noise Figure	4V/-0.16V, 136mA	10	30	-	7.3	-	dB

^[1] Bias conditions for Id tested with no RF input power. Bias conditions presented as Vd/Vg.

Typical Performance Plots (vs Bias)

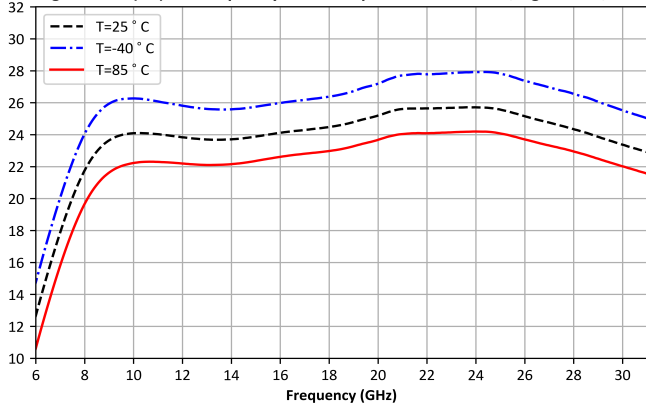
Measurement data de-embedded using standard evaluation board.



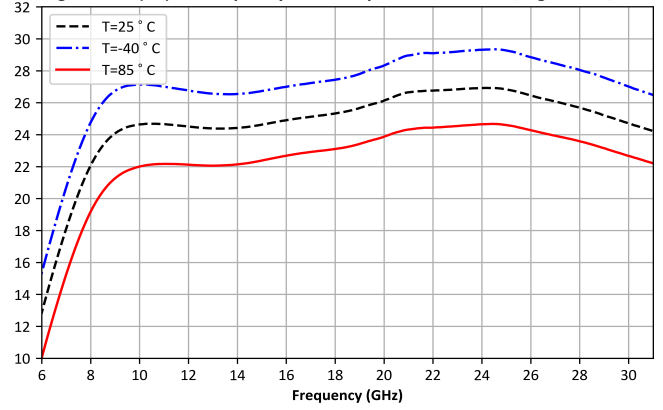


Typical Performance Plots (vs Temperature)

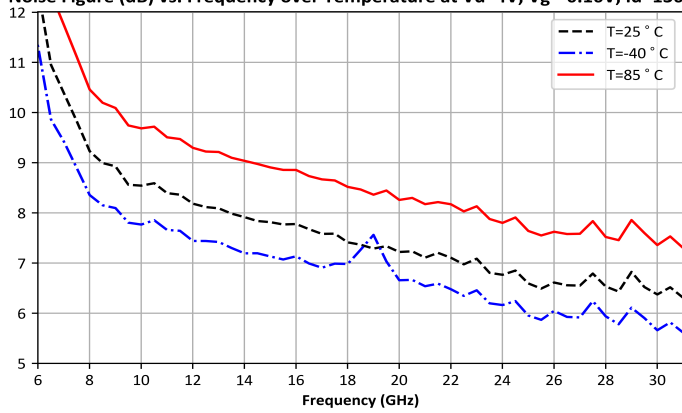
Small Signal Gain (dB) vs. Frequency over Temperature at Vd=4V, Vg=-0.16V, Id=136mA



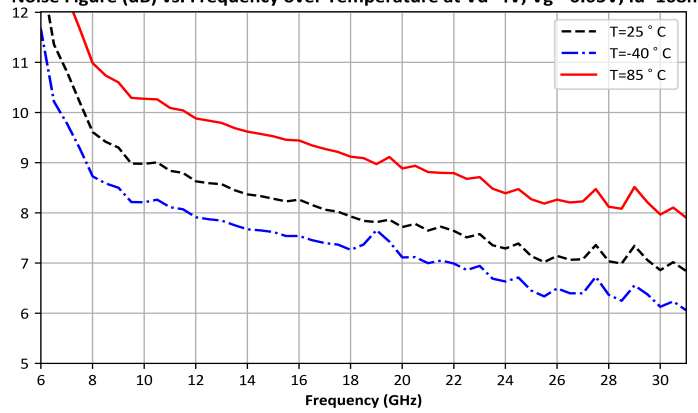
Small Signal Gain (dB) vs. Frequency over Temperature at Vd=4V, Vg=-0.05V, Id=168mA



Noise Figure (dB) vs. Frequency over Temperature at Vd=4V, Vg=-0.16V, Id=136mA



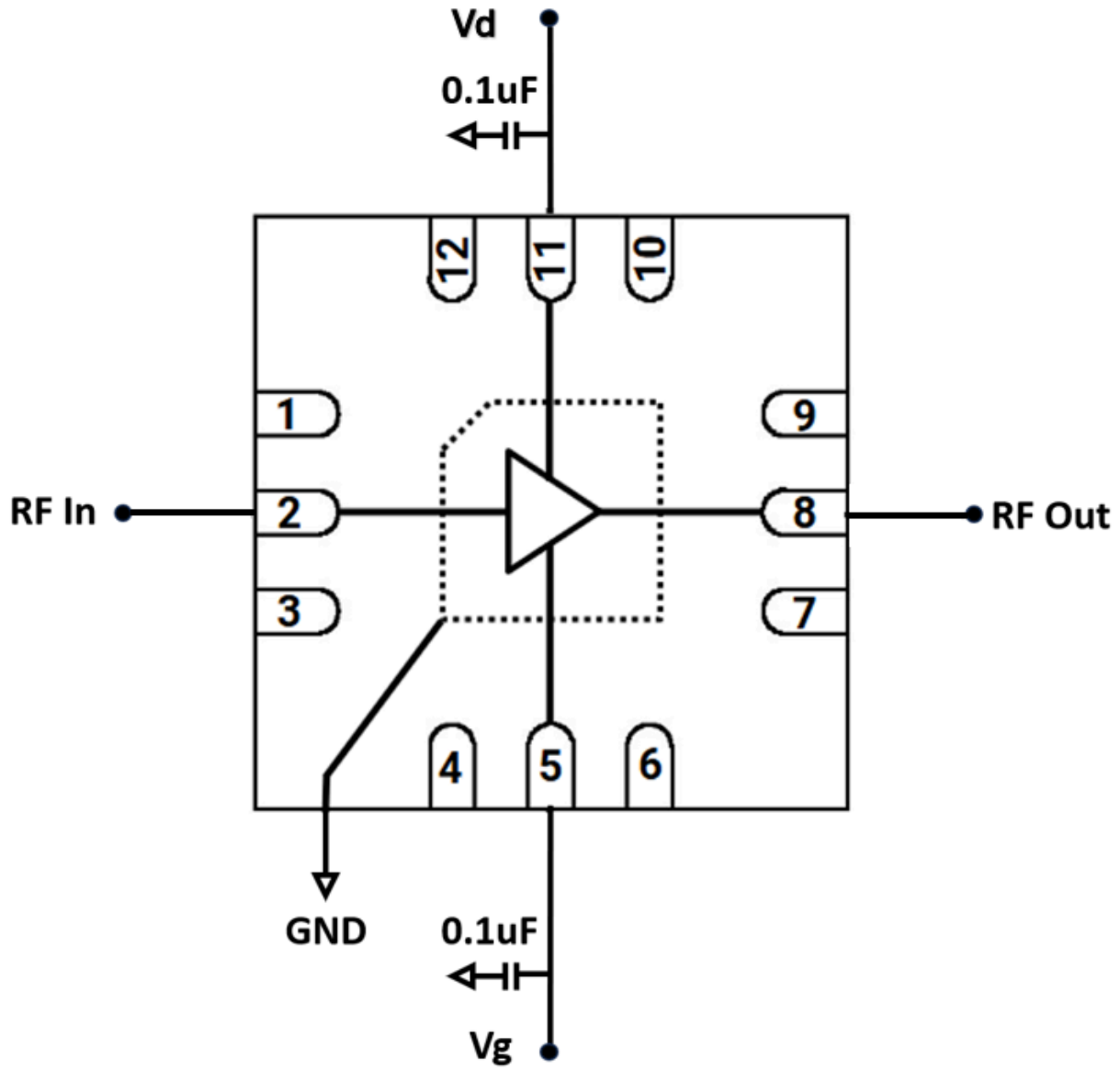
Noise Figure (dB) vs. Frequency over Temperature at Vd=4V, Vg=-0.05V, Id=168mA



Application Information

Below is the recommended application circuit for the AMM-10860PSM. This is the configuration that is used to characterize this device. However, each PCB layout and environment are different which may require minor modifications of the biasing network. Please contact support@markimicrowave.com for more information.

Application Circuit



Application Circuit Description

Above is the recommended application circuit for the AMM-10860PSM. DC drain voltage is supplied to the amplifier across a 0.1uF bypass capacitor to the Vd pin. DC gate voltage is supplied to the amplifier across a 0.1uF bypass capacitor to the Vg pin. The RF input and output ports are internally DC blocked.

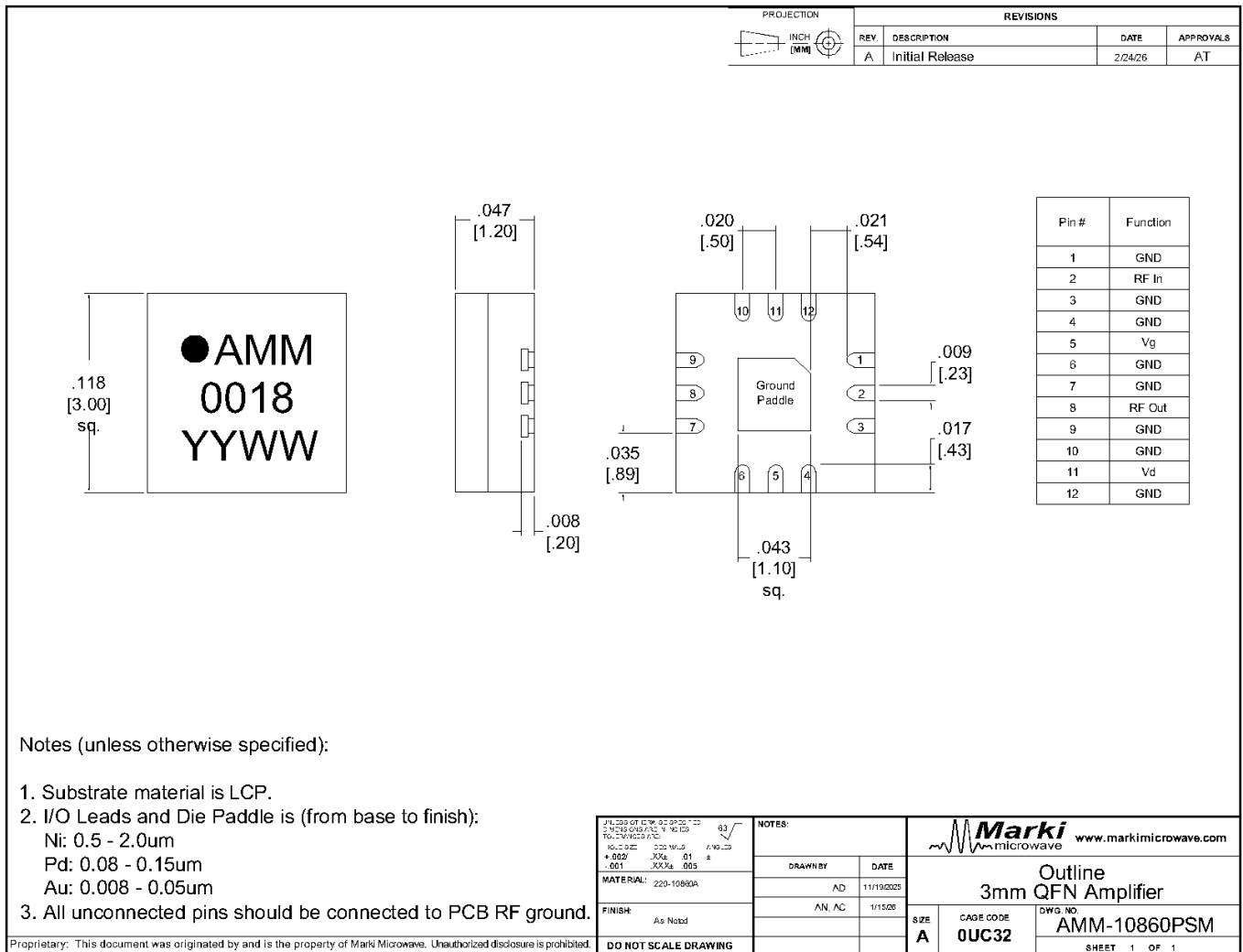
AMM-10860PSM

10-30 GHz Broadband Driver Gain Block Amplifier

Mechanical Data

Outline Drawing

Download : [Outline 2D Drawing](#) | [Outline 3D Drawing](#) | [Outline 3D STP](#)

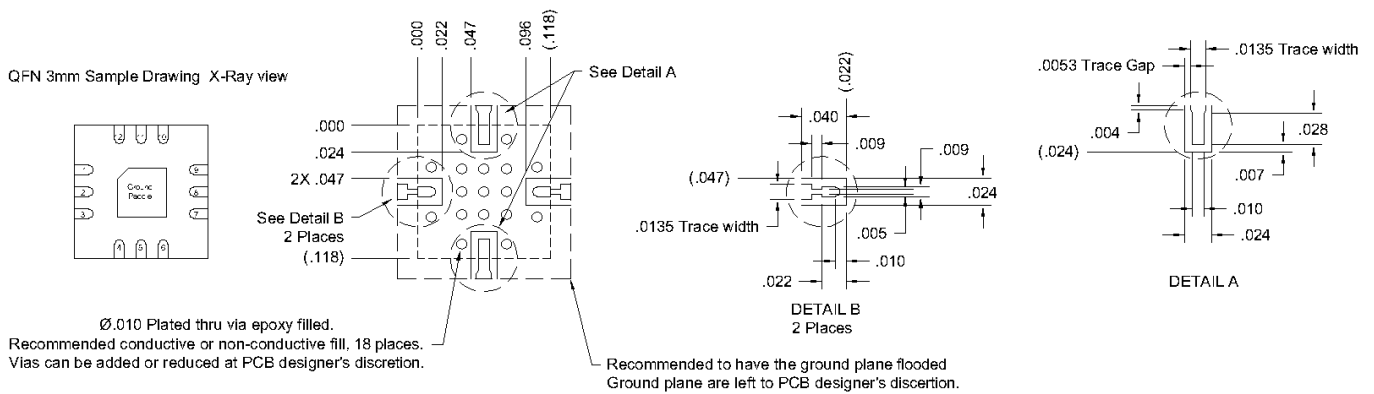


AMM-10860PSM

10-30 GHz Broadband Driver Gain Block Amplifier

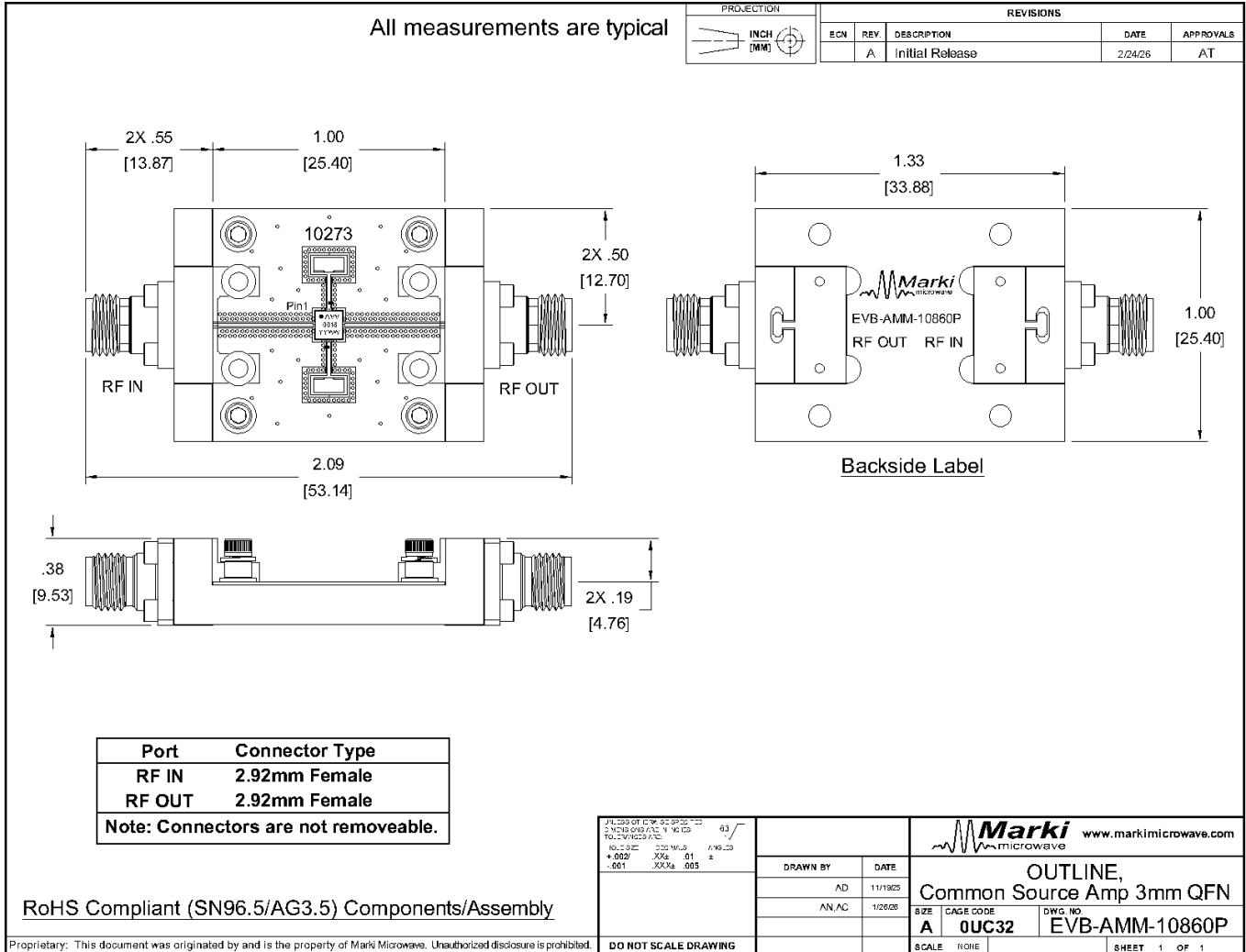
Footprint Image

Download : [Footprint Drawing](#)



The landing pattern is to be used on Rogers 4003,
0.008" thick, ½ Oz Cu.

Evaluation Board - Outline Drawing



DISCLAIMER

MARKI MICROWAVE, LLC., ("MARKI") PROVIDES TECHNICAL SPECIFICATIONS AND DATA (INCLUDING DATASHEETS), APPLICATION OR OTHER DESIGN ADVICE, WEB TOOLS, AND OTHER INFORMATION AND RESOURCES "AS IS" AND WITH ALL FAULTS. MARKI DISCLAIMS ALL WARRANTIES, EXPRESS OR IMPLIED, INCLUDING, WITHOUT LIMITATION, ANY IMPLIED WARRANTIES OF MERCHANTABILITY, FITNESS FOR A PARTICULAR PURPOSE, OR NON-INFRINGEMENT.

These resources are intended for developers skilled in the art designing with Marki products. You are solely responsible for (1) selecting the appropriate products for your application, (2) designing, validating, and testing your application, and (3) ensuring your application meets applicable standards and other requirements. Marki makes no guarantee regarding the suitability of its products for any particular purpose, nor does Marki assume any liability whatsoever arising out of your use or application of any Marki product.

Marki grants you permission to use these resources only for development of an application that uses Marki products. Other reproduction or use of these resources is strictly prohibited. No license is granted to any other Marki intellectual property or to any third-party intellectual property. Marki reserves the right to make changes to the product(s) or information contained herein without notice.

MARKI MICROWAVE and T3 MIXER are trademarks or registered trademarks of Marki Microwave, LLC. All other trademarks used are the property of their respective owners.

© 2026, Marki Microwave, LLC