

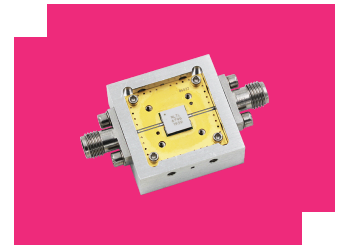
EVAL-NLTL-6796

Evaluation Board, GaAs MMIC 0.5-3.5 GHz Non-Linear Transmission Line

DEVICE OVERVIEW

General Description

The EVAL-NLTL-6796 is a connectorized evaluation board for the NLTL-6796SM is a MMIC 0.5-3.5 GHz non-linear transmission line (NLTL) based comb generator.



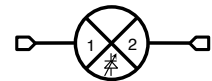
Features

N/A

Applications

N/A

Functional Block Diagram



Part Ordering Options

Part Number	Description	Package	Green Status	Product Lifecycle	Export Classification
NLTL-6796SM	GaAs MMIC Non-Linear Transmission Line	QFN	RoHS REACH	Released	EAR99
EVAL-NLTL-6796	Evaluation Board, GaAs MMIC 0.5-3.5 GHz Non-Linear Transmission Line	EVAL	RoHS REACH	Released	EAR99



www.markimicrowave.com

EVAL-NLTL-6796

Evaluation Board, GaAs MMIC 0.5-3.5 GHz Non-Linear Transmission Line

Table Of Contents

- **Device Overview**

- General Description

- Features

- Applications

- Functional Block Diagram

- **Specifications**

- Package Information

- **Operation**

- Application Circuit

- **Mechanical Data**

- Outline Drawing

- **Evaluation Board**

- Evaluation Board Outline Drawing

- Evaluation Board - Application Circuit

EVAL-NLTL-6796

Evaluation Board, GaAs MMIC 0.5-3.5 GHz Non-Linear Transmission Line

Specifications

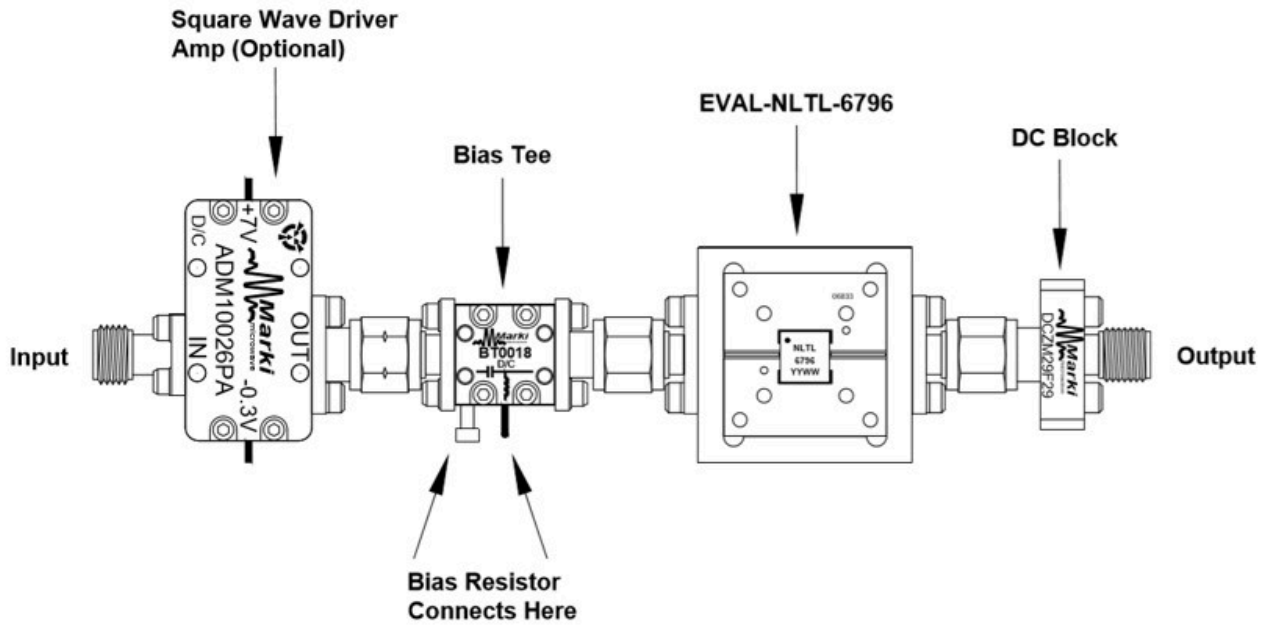
Package Information

Parameter	Details	Rating
Weight	Package name: EVAL	18.3g

EVAL-NLTL-6796

Evaluation Board, GaAs MMIC 0.5-3.5 GHz Non-Linear Transmission Line

Application Circuit

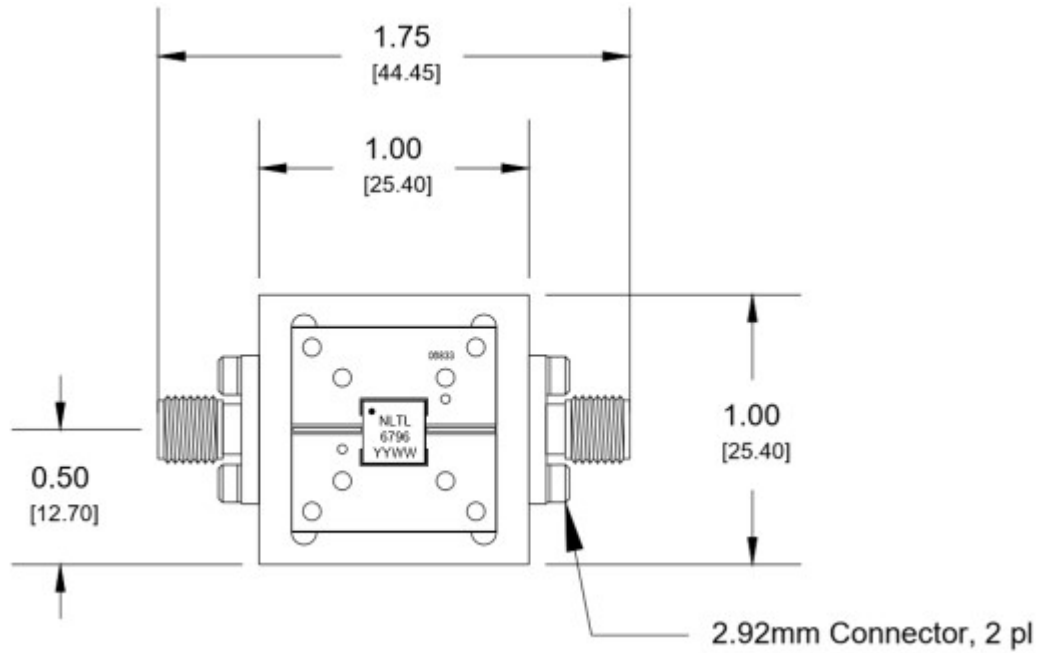


EVAL-NLTL-6796

Evaluation Board, GaAs MMIC 0.5-3.5 GHz Non-Linear Transmission Line

Mechanical Data

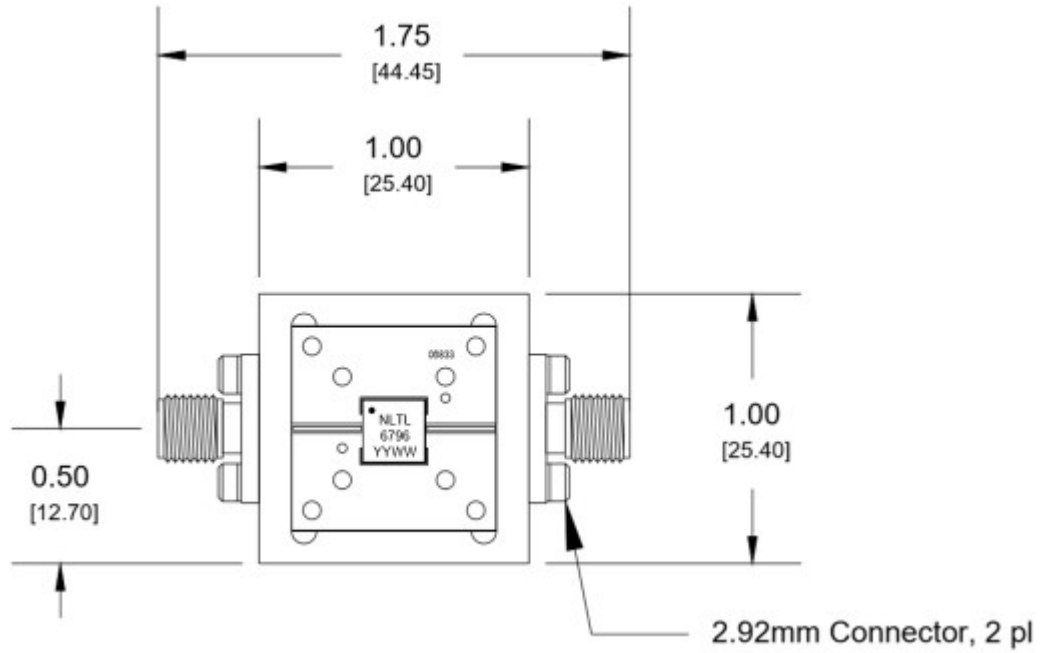
Outline Drawing



EVAL-NLTL-6796

Evaluation Board, GaAs MMIC 0.5-3.5 GHz Non-Linear Transmission Line

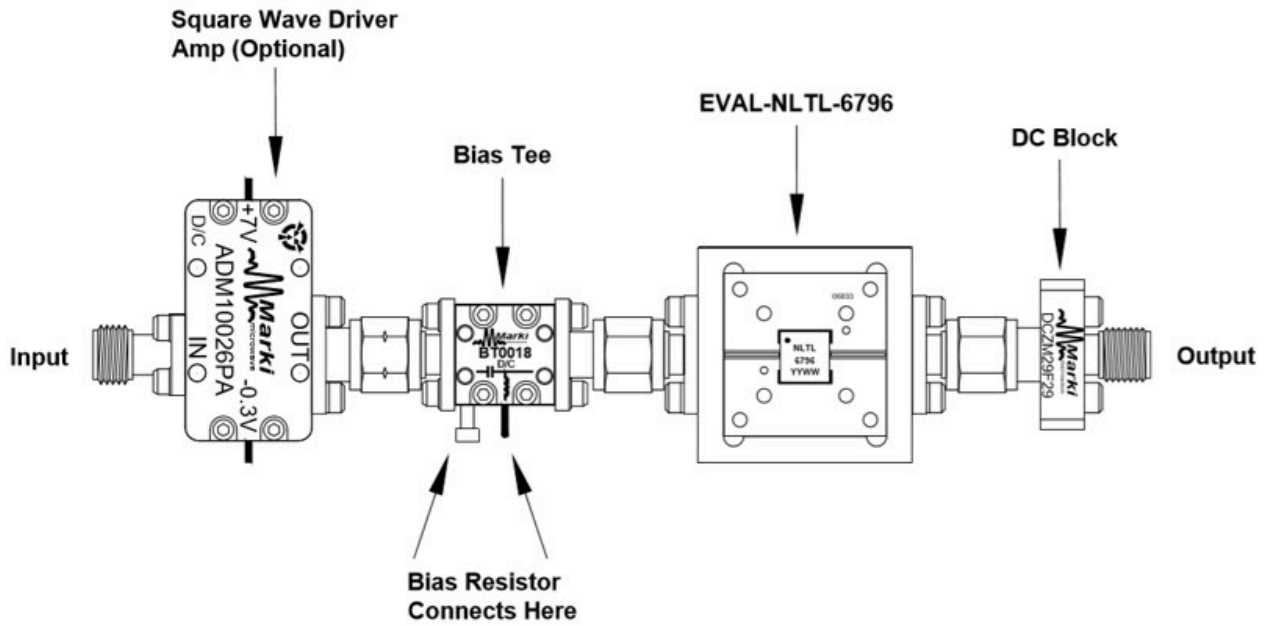
Evaluation Board - Outline Drawing



EVAL-NLTL-6796

Evaluation Board, GaAs MMIC 0.5-3.5 GHz Non-Linear Transmission Line

Evaluation Board - Application Circuit



EVAL-NLTL-6796

Evaluation Board, GaAs MMIC 0.5-3.5 GHz Non-Linear Transmission Line

DISCLAIMER

MARKI MICROWAVE, INC., ("MARKI") PROVIDES TECHNICAL SPECIFICATIONS AND DATA (INCLUDING DATASHEETS), APPLICATION OR OTHER DESIGN ADVICE, WEB TOOLS, AND OTHER INFORMATION AND RESOURCES "AS IS" AND WITH ALL FAULTS. MARKI DISCLAIMS ALL WARRANTIES, EXPRESS OR IMPLIED, INCLUDING, WITHOUT LIMITATION, ANY IMPLIED WARRANTIES OF MERCHANTABILITY, FITNESS FOR A PARTICULAR PURPOSE, OR NON-INFRINGEMENT. These resources are intended for developers skilled in the art designing with Marki products. You are solely responsible for (1) selecting the appropriate products for your application, (2) designing, validating, and testing your application, and (3) ensuring your application meets applicable standards and other requirements. Marki makes no guarantee regarding the suitability of its products for any particular purpose, nor does Marki assume any liability whatsoever arising out of your use or application of any Marki product.

Marki grants you permission to use these resources only for development of an application that uses Marki products. Other reproduction or use of these resources is strictly prohibited. No license is granted to any other Marki intellectual property or to any third-party intellectual property. Marki reserves the right to make changes to the product(s) or information contained herein without notice.

MARKI MICROWAVE and T3 MIXER are trademarks or registered trademarks of Marki Microwave, Inc. All other trademarks used are the property of their respective owners.

© 2022 - 2025, Marki Microwave, Inc