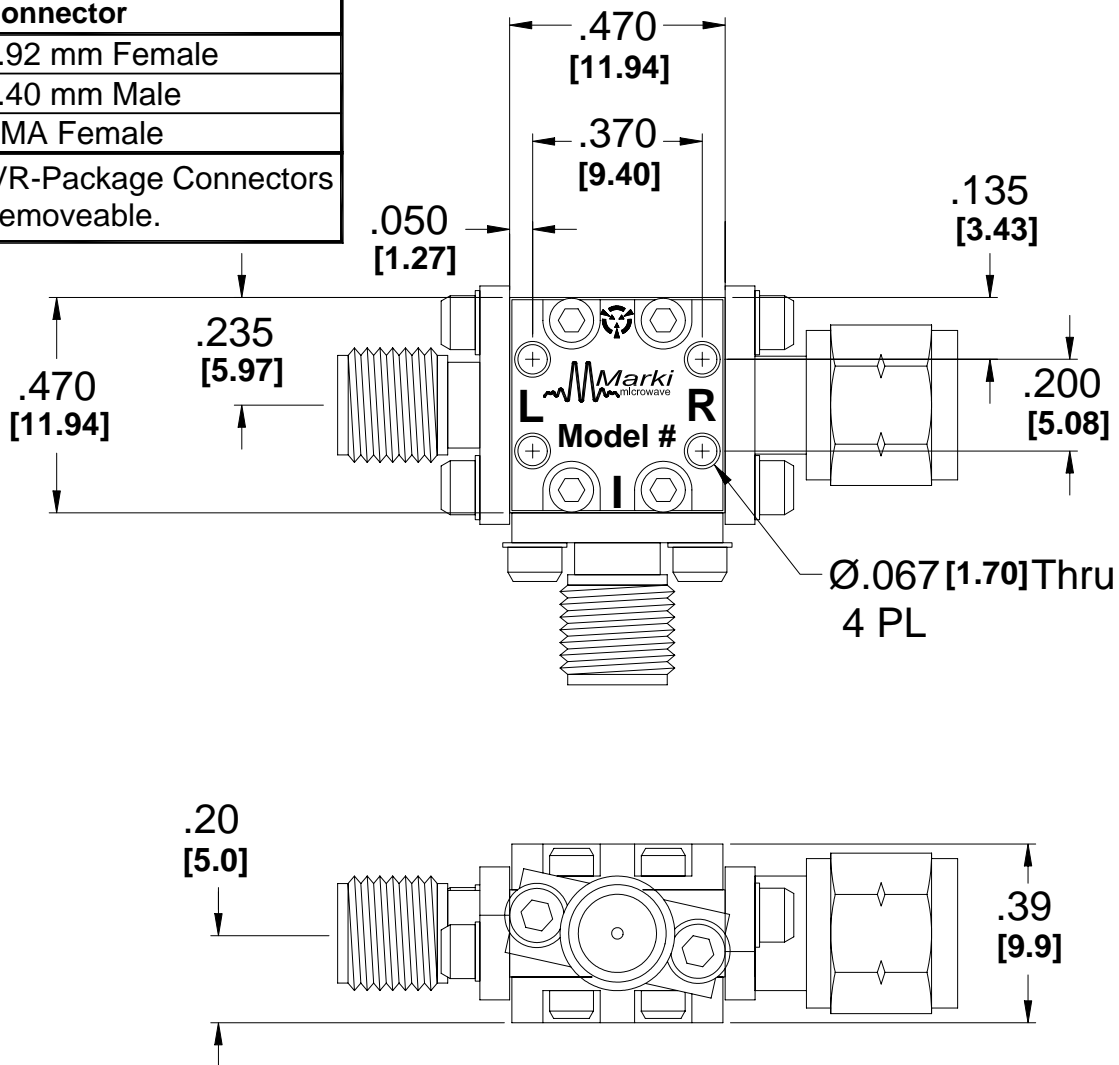




215 Vineyard Court, Morgan Hill, CA 95037
 PHONE (408) 778-4200 FAX (408) 778-4300
 Website: MarkiMicrowave.com

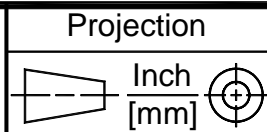
Port	Connector
LO	2.92 mm Female
RF	2.40 mm Male
IF	SMA Female

Note: NVR-Package Connectors are not removable.



Weight: 10 gms typ

NVR-Style Mixer Outline



XXX=±.005
 XX=±.02