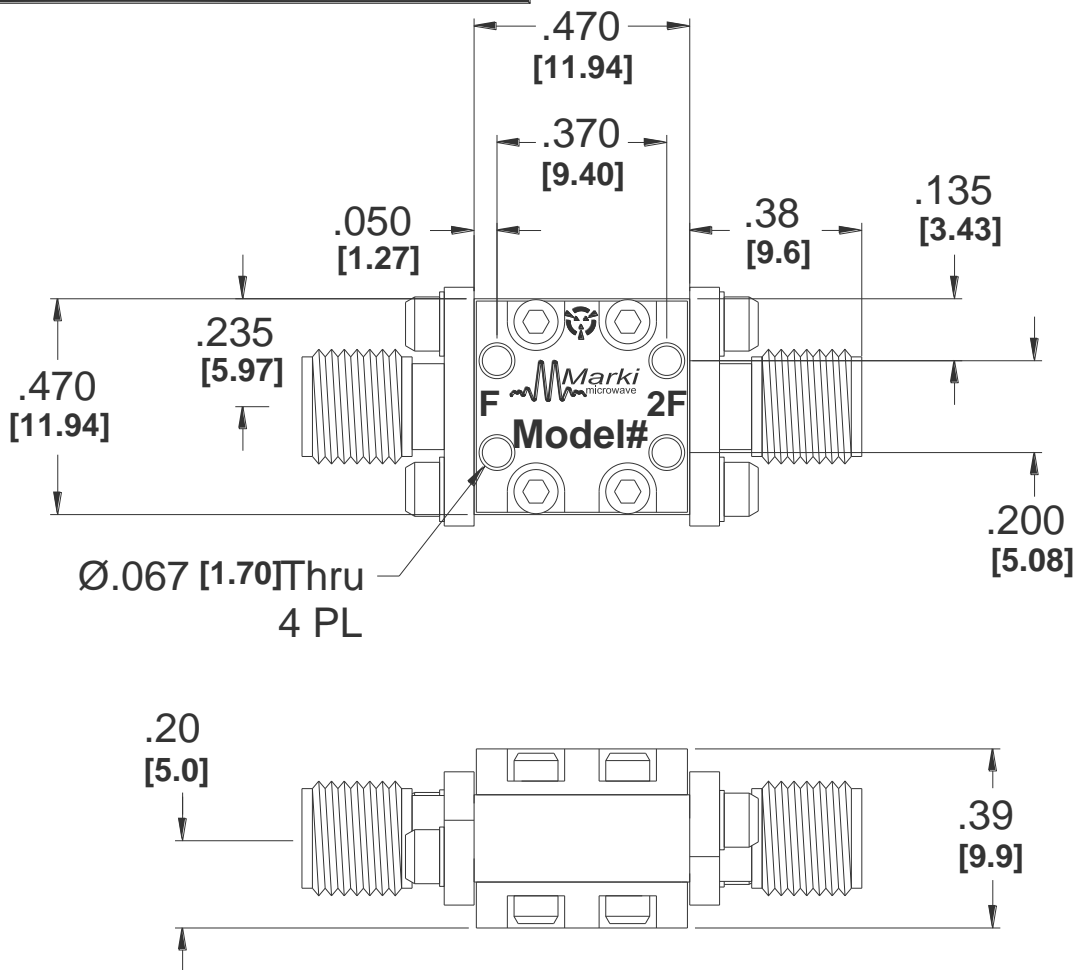




215 Vineyard Court, Morgan Hill, CA 95037  
 PHONE (408) 778-4200 FAX (408) 778-4300  
 Website: MarkiMicrowave.com

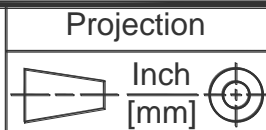
Port	Connector	Models >26.5 GHz
F	SMA Female	SMA Female
2F	SMA Female	2.92 mm Female

Note: N-Package Connectors are not removeable.



Weight: 10 GMS Typ

## N-Style Doubler Outline



XXX=±.005  
 XX=±.02