

## EVB-MFBP-00081

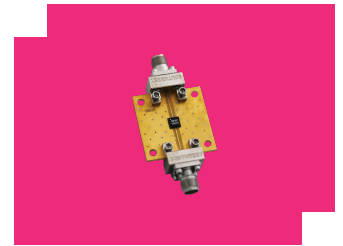
### Evaluation Board, Passive GaAs 11.99-13.94 GHz MMIC Bandpass Filter

## DEVICE OVERVIEW

### General Description

The EVB-MFBP-00081 is a connectorized evaluation board for the MFBP-00081CSP3 passive MMIC surface mount 11.99-13.94 GHz bandpass filter.

[Download s-parameters here](#)



### Features

N/A

### Applications

N/A

### Functional Block Diagram



## Part Ordering Options

Part Number	Description	Package	Green Status	Product Lifecycle	Export Classification
MFBP-00081CSP3	Passive GaAs MMIC 11.99 - 13.94 GHz Bandpass Filter	CSP3	RoHS REACH	Released	EAR99
EVB-MFBP-00081	Evaluation Board, Passive GaAs 11.99-13.94 GHz MMIC Bandpass Filter	EVB	RoHS REACH	Released	EAR99

## EVB-MFBP-00081

Evaluation Board, Passive GaAs 11.99-13.94 GHz  
MMIC Bandpass Filter

### Table Of Contents

- **Device Overview**
  - General Description
  - Features
  - Applications
  - Functional Block Diagram
- **Revision History**
- **Specifications**
- **Mechanical Data**
  - Outline Drawing
- **Evaluation Board**
  - Evaluation Board Outline Drawing

### Revision History

Revision Code	Revision Date	Comment
-	2024-12-04	Initial Release

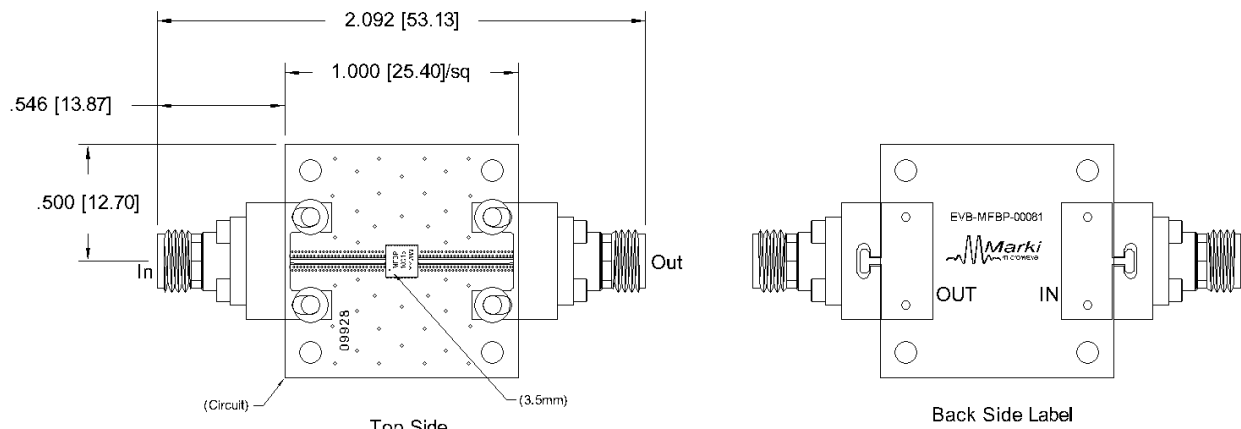


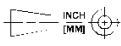
# EVB-MFBP-00081

Evaluation Board, Passive GaAs 11.99-13.94 GHz  
MMIC Bandpass Filter

## Evaluation Board - Outline Drawing

All measurements are typical




PROJECTION		REVISIONS			
	INCH [MM]	REV.	DESCRIPTION	DATE	APPROVALS
		1	Updated PN	11/4/24	WV

Port	Connector Type
In	Edge Mount 2.92mm Female
Out	Edge Mount 2.92mm Female
<b>Note: Connectors are not removeable.</b>	

<p>RoHS Compliant (SN96.5/AG3.5) Components/Assembly</p> <p>Proprietary: This document was originated by and is the property of Marki Microwave. Unauthorized disclosure is prohibited.</p>	<p> <small>JUL 2025 07:12 PM 02:00:00 03</small>  <small>2 NINE DIGIT 4 16 25</small>  <small>TO: SAVERC@MARKI.COM</small>  <small>NO. 0000 000 000 016 000</small>  <small>+002/ .XXx 02 ±</small>  <small>-001/ .XXx 010</small> </p> <p>MATERIAL:</p> <p>FINISH:</p>	<p>NOTES:</p> <table border="1" style="width: 100%; border-collapse: collapse;"> <thead> <tr> <th>DRAWN BY</th> <th>DATE</th> </tr> </thead> <tbody> <tr> <td>ltn</td> <td>09-18-2024</td> </tr> </tbody> </table>	DRAWN BY	DATE	ltn	09-18-2024	<p style="text-align: center;">  </p> <p style="text-align: center;"> <b>Outline</b>  <b>Eval Board MFBP 10015 3.5mm</b> </p> <table border="1" style="width: 100%; border-collapse: collapse;"> <tr> <td>SIZE</td> <td>GAGE CODE</td> <td>DWG. NO.</td> </tr> <tr> <td>A</td> <td>0UC32</td> <td>EVB-MFBP-00081</td> </tr> </table> <p style="text-align: right;">SHEET 1 OF 1</p>	SIZE	GAGE CODE	DWG. NO.	A	0UC32	EVB-MFBP-00081
DRAWN BY	DATE												
ltn	09-18-2024												
SIZE	GAGE CODE	DWG. NO.											
A	0UC32	EVB-MFBP-00081											

**DISCLAIMER**

MARKI MICROWAVE, INC., ("MARKI") PROVIDES TECHNICAL SPECIFICATIONS AND DATA (INCLUDING DATASHEETS), APPLICATION OR OTHER DESIGN ADVICE, WEB TOOLS, AND OTHER INFORMATION AND RESOURCES "AS IS" AND WITH ALL FAULTS. MARKI DISCLAIMS ALL WARRANTIES, EXPRESS OR IMPLIED, INCLUDING, WITHOUT LIMITATION, ANY IMPLIED WARRANTIES OF MERCHANTABILITY, FITNESS FOR A PARTICULAR PURPOSE, OR NON-INFRINGEMENT. These resources are intended for developers skilled in the art designing with Marki products. You are solely responsible for (1) selecting the appropriate products for your application, (2) designing, validating, and testing your application, and (3) ensuring your application meets applicable standards and other requirements. Marki makes no guarantee regarding the suitability of its products for any particular purpose, nor does Marki assume any liability whatsoever arising out of your use or application of any Marki product.

Marki grants you permission to use these resources only for development of an application that uses Marki products. Other reproduction or use of these resources is strictly prohibited. No license is granted to any other Marki intellectual property or to any third-party intellectual property. Marki reserves the right to make changes to the product(s) or information contained herein without notice.

MARKI MICROWAVE and T3 MIXER are trademarks or registered trademarks of Marki Microwave, Inc. All other trademarks used are the property of their respective owners.

© 2024, Marki Microwave, Inc