

EVB-MFLP-00002P

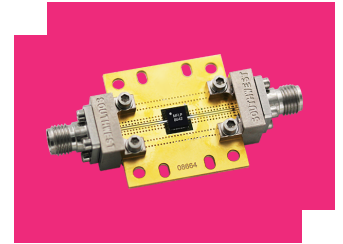
Evaluation Board, Passive GaAs MMIC 9.40GHz Lowpass Filter

DEVICE OVERVIEW

General Description

The EVB-MFLP-00002P is a connectorized evaluation board for the MFLP-00002PSM passive MMIC surface mount 9.40GHz lowpass filter.

[Download s-parameters here](#)



Features

N/A

Applications

N/A

Functional Block Diagram



Part Ordering Options

Part Number	Description	Package	Green Status	Product Lifecycle	Export Classification
MFLP-00002PSM	Passive GaAs MMIC 9.4 GHz Lowpass Filter	QFN	RoHS REACH	Released	EAR99
EVB-MFLP-00002P	Evaluation Board, Passive GaAs MMIC 9.40GHz Lowpass Filter	EVB	RoHS REACH	Released	EAR99



www.markimicrowave.com

EVB-MFLP-00002P

**Evaluation Board, Passive GaAs MMIC 9.40GHz
Lowpass Filter**

Table Of Contents

- **Device Overview**

- General Description

- Features

- Applications

- Functional Block Diagram

- **Specifications**

- **Mechanical Data**

- Outline Drawing

- **Evaluation Board**

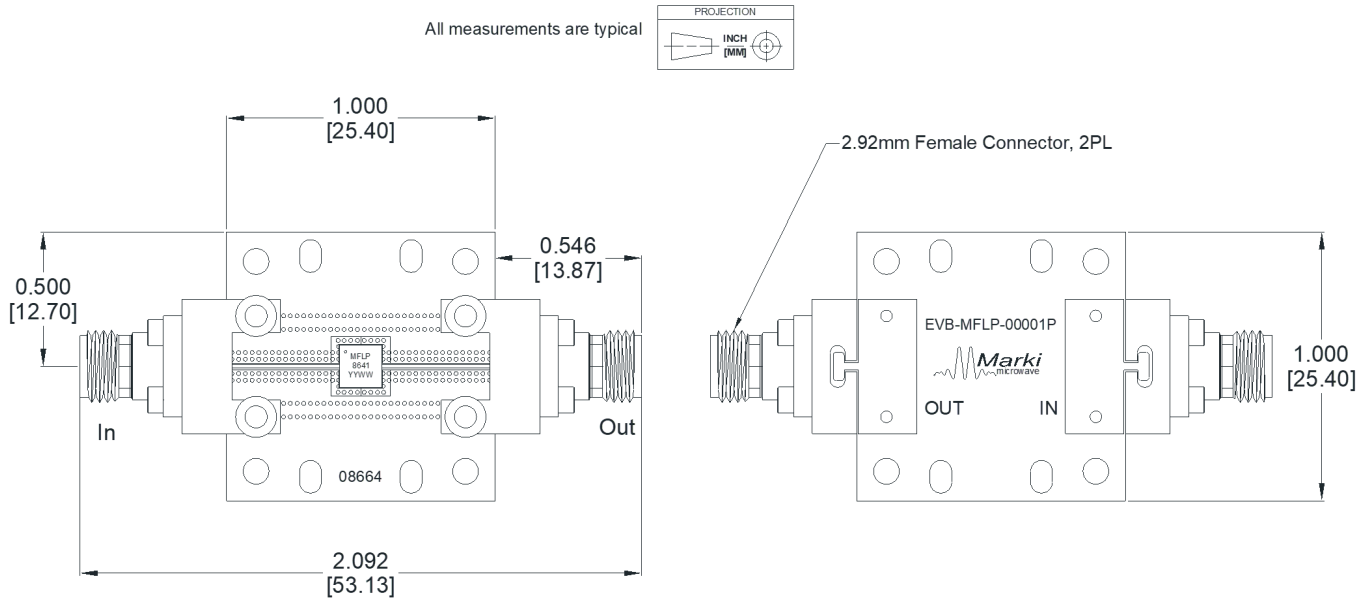
- Evaluation Board Outline Drawing

EVB-MFLP-00002P

Evaluation Board, Passive GaAs MMIC 9.40GHz
Lowpass Filter

Mechanical Data

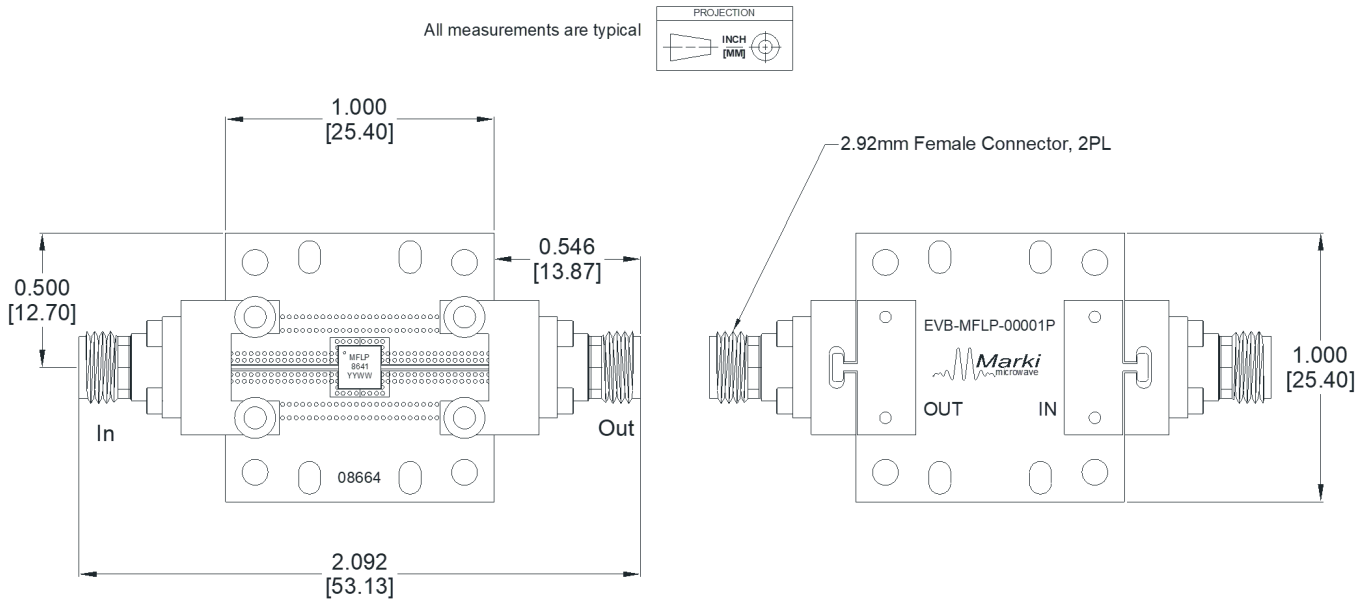
Outline Drawing



EVB-MFLP-00002P

Evaluation Board, Passive GaAs MMIC 9.40GHz
Lowpass Filter

Evaluation Board - Outline Drawing



DISCLAIMER

MARKI MICROWAVE, INC., ("MARKI") PROVIDES TECHNICAL SPECIFICATIONS AND DATA (INCLUDING DATASHEETS), APPLICATION OR OTHER DESIGN ADVICE, WEB TOOLS, AND OTHER INFORMATION AND RESOURCES "AS IS" AND WITH ALL FAULTS. MARKI DISCLAIMS ALL WARRANTIES, EXPRESS OR IMPLIED, INCLUDING, WITHOUT LIMITATION, ANY IMPLIED WARRANTIES OF MERCHANTABILITY, FITNESS FOR A PARTICULAR PURPOSE, OR NON-INFRINGEMENT. These resources are intended for developers skilled in the art designing with Marki products. You are solely responsible for (1) selecting the appropriate products for your application, (2) designing, validating, and testing your application, and (3) ensuring your application meets applicable standards and other requirements. Marki makes no guarantee regarding the suitability of its products for any particular purpose, nor does Marki assume any liability whatsoever arising out of your use or application of any Marki product.

Marki grants you permission to use these resources only for development of an application that uses Marki products. Other reproduction or use of these resources is strictly prohibited. No license is granted to any other Marki intellectual property or to any third-party intellectual property. Marki reserves the right to make changes to the product(s) or information contained herein without notice.

MARKI MICROWAVE and T3 MIXER are trademarks or registered trademarks of Marki Microwave, Inc. All other trademarks used are the property of their respective owners.

© 2022 - 2025, Marki Microwave, Inc