

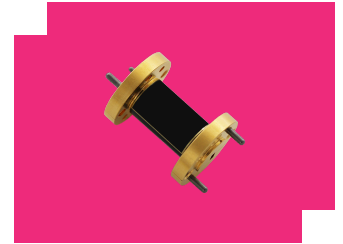
ATN25-10FL00WG

1" LP WR-10 25 dB Attenuator

DEVICE OVERVIEW

General Description

1" Low Power WR-10 25 dB Attenuators, operating from 75-110 GHz, are built with high precision and gold plated for high corrosion resistance. They have great VSWR and accurate attenuation.



Features

- Power Handling 1 W
- Length = 1 in.
- UG-387/U Flange

Applications

- 5G
- Frequency Extenders
- Communication Systems

Functional Block Diagram

N/A

Part Ordering Options

Part Number	Description	Package	Green Status	Product Lifecycle	Export Classification
ATN25-10FL00WG	1" LP WR-10 25 dB Attenuator	WR-10	REACH RoHS	Released	EAR99

Table Of Contents

- **Device Overview**
 - General Description
 - Features
 - Applications
- **Port Configuration and Functions**
 - Port Functions
- **Revision History**
- **Specifications**
 - Absolute Maximum Ratings
 - Package Information
 - Electrical Specifications
- **Mechanical Data**
 - Outline Drawing

Revision History

Revision Code	Revision Date	Comment
-	2024-05-01	Initial Release

Port Configuration and Functions

Port Functions

Port	Function	Connector Type	Description	Equivalent Circuit for Package
Port 1	RF Input / Output	-	RF input/output.	-
Port 2	RF Input / Output	-	RF input/output.	-

Specifications

Absolute Maximum Ratings

Parameter	Maximum Rating	Unit
Power Handling	1	W

Package Information

Parameter	Details	Rating
Dimensions	-	L = 1 in.

Electrical Specifications

Parameter	Test Conditions	Minimum Frequency (GHz)	Maximum Frequency (GHz)	Min	Typ	Max	Unit
Attenuation	-	75	110	-	25	-	dB
Return Loss	-	75	110	-	23	-	dB

Mechanical Data

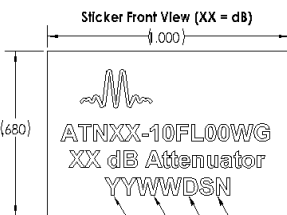
Outline Drawing

Download : [Outline 2D Drawing](#) | [Outline 3D STP](#)

PART NUMBER	DESCRIPTION	REV. SICKS		
ATN00-10FLO0WG	1" LOW POWER WR-10 FIXED ATTN	REV.	DESCRIPTION	DATE
ATN03-10FLO0WG	1" LOW POWER WR-10 FIXED ATTN	A	INITIAL RELEASE	12/1/23
ATN06-10FLO0WG	1" LOW POWER WR-10 FIXED ATTN			
ATN10-10FLO0WG	1" LOW POWER WR-10 FIXED ATTN			
ATN15-10FLO0WG	1" LOW POWER WR-10 FIXED ATTN			
ATN20-10FLO0WG	1" LOW POWER WR-10 FIXED ATTN			
ATN25-10FLO0WG	1" LOW POWER WR-10 FIXED ATTN			
ATN30-10FLO0WG	1" LOW POWER WR-10 FIXED ATTN			

***Note: XX In Drawing Number = Attenuator Card Tune**

Sticker Front View (XX = dB)



(YY) Year
(WW) Week # of the Year
(D) Day of the Week Starting with Sunday as 1
(SN) 3 Digit Serial Number Starting with 001

Flange Detail (Both Sides)

4X \varnothing .089 THRU
4-40 UNC-2B
 \checkmark \varnothing .140 X 82°

2X \varnothing .067 THRU
 \checkmark \varnothing .09 X 82°

2X \varnothing .0615 Dowel Pin
180° Apart

45°

45°

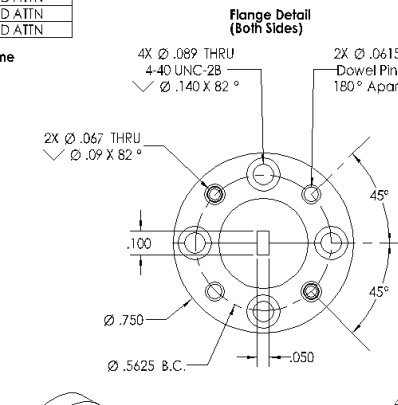
\varnothing .750

\varnothing .5625 B.C.

.100

-.050

Front View

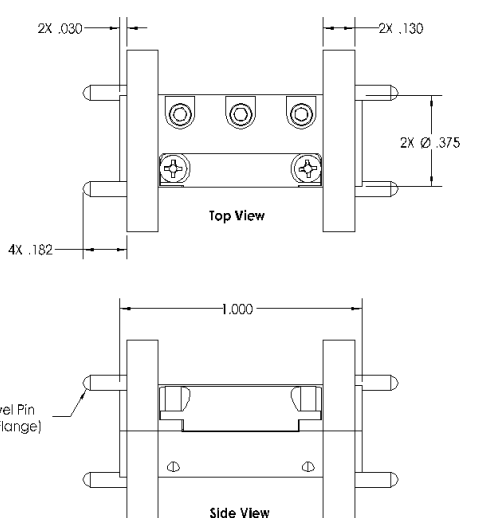


2X .030

2X .130

2X \varnothing .375

Top View




4X .182

1.000

\varnothing .0615 Dowel Pin
4 PL (2 Each Flange)


Side View



NOTES: UNLESS OTHERWISE SPECIFIED

- Block Material: Half Hard Brass
- Finish: 100 microinches bright nickel, 10 microinches gold

Proprietary: This document was originated by and is the property of Marki Microwave. Unauthorized disclosure is prohibited.

UNLESS OTHERWISE SPECIFIED DIMENSIONS ARE IN INCHES TOLERANCES ARE: FRACTIONS DECIMALS .005 .010 .015 .020 .030 .040 .050 .060 .070 .080 .090 .100 .125 .150 .175 .200 .250 .300 .375 .500 .625 .750 .875 1.000 1.250 1.500 2.000 2.500 3.000 4.000 5.000	INTERPRET IN ACCORDANCE WITH: ASME Y14.100-2017 Y14.5-2018 B ASME Y14.5M-2009 DIMENSIONAL SYSTEM: INCHES ANGLE: 11° CHECKED: _____ DATE: 12/01/2023 THIRD ANGLE PROJECTION	 www.markimicrowave.com TITLE Outline, Waveguide Low Power Fixed Attenuator, WR-10 CAGE CODE: OUC32 DRAWING NO.: ATNXX-10FLO0WG-OUT SCALE: NONE SHEET 1 OF 1
---	---	--

DISCLAIMER

MARKI MICROWAVE, INC., ("MARKI") PROVIDES TECHNICAL SPECIFICATIONS AND DATA (INCLUDING DATASHEETS), APPLICATION OR OTHER DESIGN ADVICE, WEB TOOLS, AND OTHER INFORMATION AND RESOURCES "AS IS" AND WITH ALL FAULTS. MARKI DISCLAIMS ALL WARRANTIES, EXPRESS OR IMPLIED, INCLUDING, WITHOUT LIMITATION, ANY IMPLIED WARRANTIES OF MERCHANTABILITY, FITNESS FOR A PARTICULAR PURPOSE, OR NON-INFRINGEMENT. These resources are intended for developers skilled in the art designing with Marki products. You are solely responsible for (1) selecting the appropriate products for your application, (2) designing, validating, and testing your application, and (3) ensuring your application meets applicable standards and other requirements. Marki makes no guarantee regarding the suitability of its products for any particular purpose, nor does Marki assume any liability whatsoever arising out of your use or application of any Marki product.

Marki grants you permission to use these resources only for development of an application that uses Marki products. Other reproduction or use of these resources is strictly prohibited. No license is granted to any other Marki intellectual property or to any third-party intellectual property. Marki reserves the right to make changes to the product(s) or information contained herein without notice.

MARKI MICROWAVE and T3 MIXER are trademarks or registered trademarks of Marki Microwave, Inc. All other trademarks used are the property of their respective owners.

© 2024, Marki Microwave, Inc