

EVAL-PBR-0012

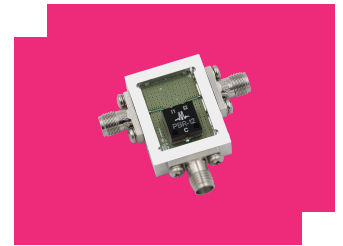
Evaluation Board, 10 MHz to 12 GHz High Isolation Power Combiner

DEVICE OVERVIEW

General Description

The EVAL-PBR-0012 is a connectorized evaluation board for the PBR-0012SMG surface mount 10 MHz to 3 GHz high isolation power divider.

[Download s-parameters here](#)



Features

N/A

Applications

N/A

Functional Block Diagram

N/A

Part Ordering Options

Part Number	Description	Package	Green Status	Product Lifecycle	Export Classification
PBR-0012SMG	High Isolation Power Combiner	SMG	REACH RoHS	Released	EAR99
EVAL-PBR-0012	Evaluation Board, 10 MHz to 12 GHz High Isolation Power Combiner	EVAL	REACH RoHS	Released	EAR99



www.markimicrowave.com

EVAL-PBR-0012

Evaluation Board, 10 MHz to 12 GHz High Isolation Power Combiner

Table Of Contents

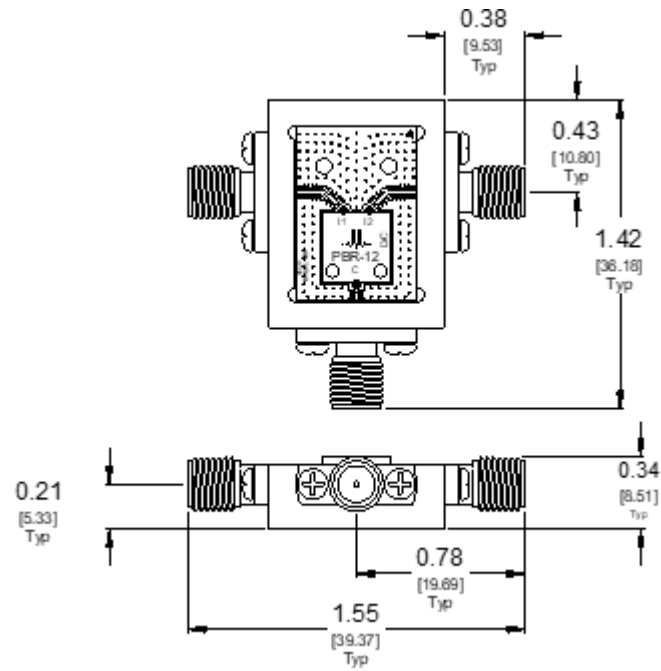
- **Device Overview**
 - General Description
 - Features
 - Applications
- **Specifications**
- **Mechanical Data**
 - Outline Drawing
- **Evaluation Board**
 - Evaluation Board Outline Drawing

EVAL-PBR-0012

Evaluation Board, 10 MHz to 12 GHz High Isolation
Power Combiner

Mechanical Data

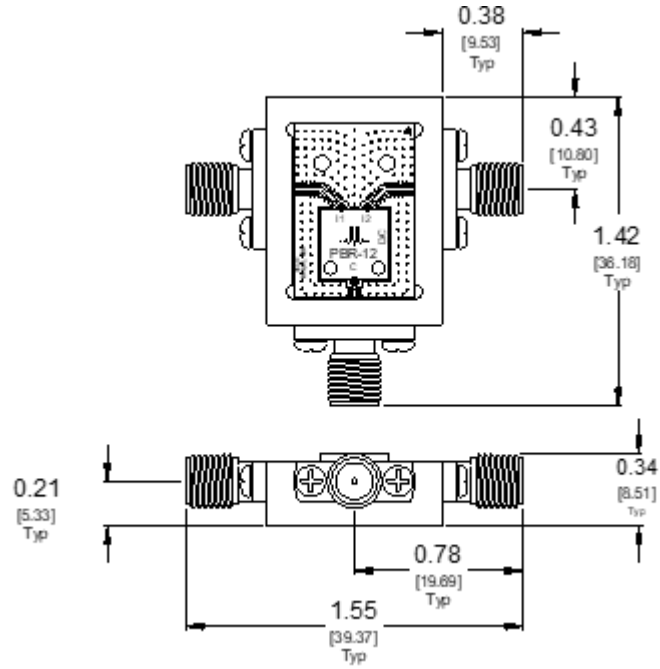
Outline Drawing



EVAL-PBR-0012

Evaluation Board, 10 MHz to 12 GHz High Isolation Power Combiner

Evaluation Board - Outline Drawing



DISCLAIMER

MARKI MICROWAVE, INC., ("MARKI") PROVIDES TECHNICAL SPECIFICATIONS AND DATA (INCLUDING DATASHEETS), APPLICATION OR OTHER DESIGN ADVICE, WEB TOOLS, AND OTHER INFORMATION AND RESOURCES "AS IS" AND WITH ALL FAULTS. MARKI DISCLAIMS ALL WARRANTIES, EXPRESS OR IMPLIED, INCLUDING, WITHOUT LIMITATION, ANY IMPLIED WARRANTIES OF MERCHANTABILITY, FITNESS FOR A PARTICULAR PURPOSE, OR NON-INFRINGEMENT. These resources are intended for developers skilled in the art designing with Marki products. You are solely responsible for (1) selecting the appropriate products for your application, (2) designing, validating, and testing your application, and (3) ensuring your application meets applicable standards and other requirements. Marki makes no guarantee regarding the suitability of its products for any particular purpose, nor does Marki assume any liability whatsoever arising out of your use or application of any Marki product.

Marki grants you permission to use these resources only for development of an application that uses Marki products. Other reproduction or use of these resources is strictly prohibited. No license is granted to any other Marki intellectual property or to any third-party intellectual property. Marki reserves the right to make changes to the product(s) or information contained herein without notice.

MARKI MICROWAVE and T3 MIXER are trademarks or registered trademarks of Marki Microwave, Inc. All other trademarks used are the property of their respective owners.

© 2022 - 2025, Marki Microwave, Inc