

EVB-AKA-1400P

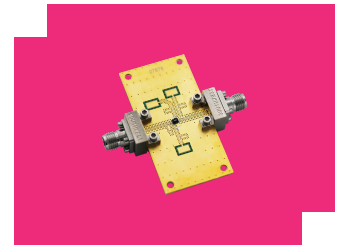
Evaluation Board, Broadband InGaP SMT DC – 14 GHz Amplifier

DEVICE OVERVIEW

General Description

The EVB-AKA-1400P is a connectorized evaluation board for the AKA-1400PSM Broadband InGaP SMT surface mount DC – 14 GHz Amplifier.

[Download s-parameters here](#)



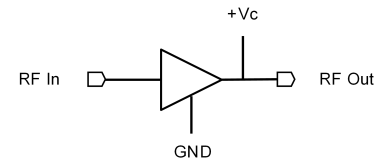
Features

N/A

Applications

N/A

Functional Block Diagram



Part Ordering Options

| Part Number | Description | Package | Green Status | Product Lifecycle | Export Classification |
|-----------------------------|-------------------------------------------------------------|---------|---------------|-------------------|-----------------------|
| AKA-1400PSM | DC – 14 GHz Broadband InGaP SMT Amplifier | DFN | REACH RoHS | Released | EAR99 |
| EVB-AKA-1400P | Evaluation Board, Broadband InGaP SMT DC – 14 GHz Amplifier | EVB | REACH RoHS | Released | EAR99 |



www.markimicrowave.com

EVB-AKA-1400P

Evaluation Board, Broadband InGaP SMT DC – 14 GHz Amplifier

Table Of Contents

- **Device Overview**

- General Description

- Features

- Applications

- Functional Block Diagram

- **Specifications**

- **Mechanical Data**

- Outline Drawing

- **Evaluation Board**

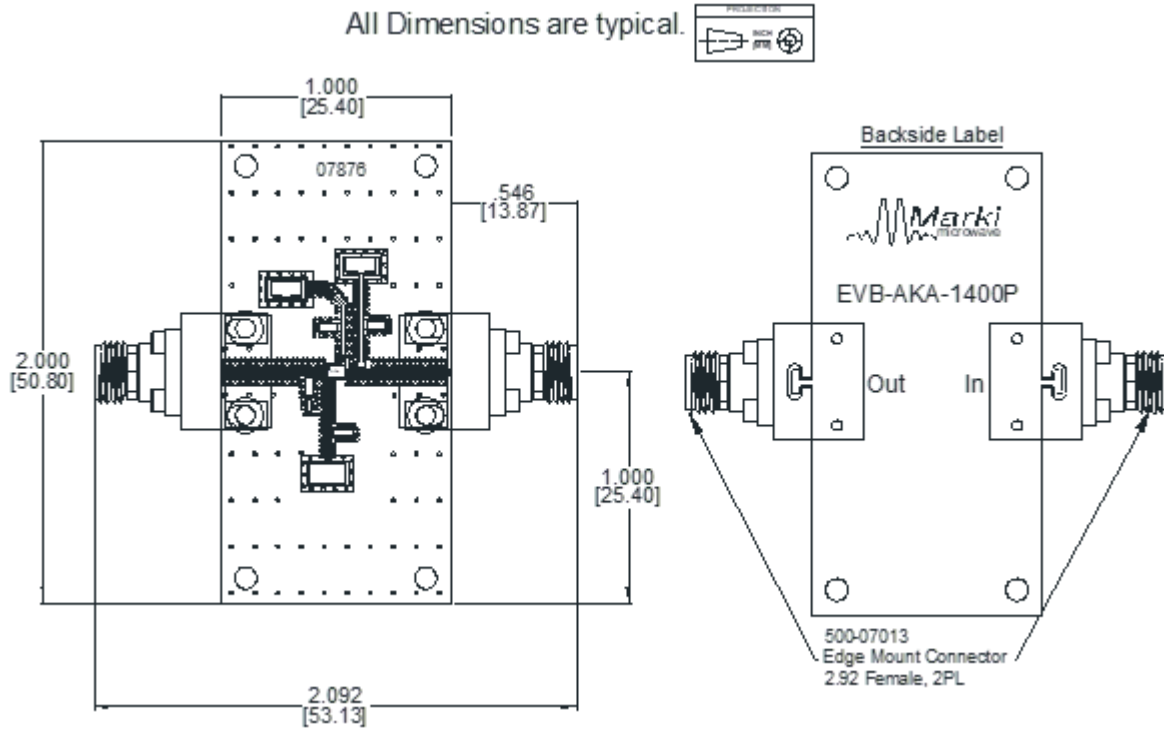
- Evaluation Board Outline Drawing

EVB-AKA-1400P

Evaluation Board, Broadband InGaP SMT DC – 14 GHz Amplifier

Mechanical Data

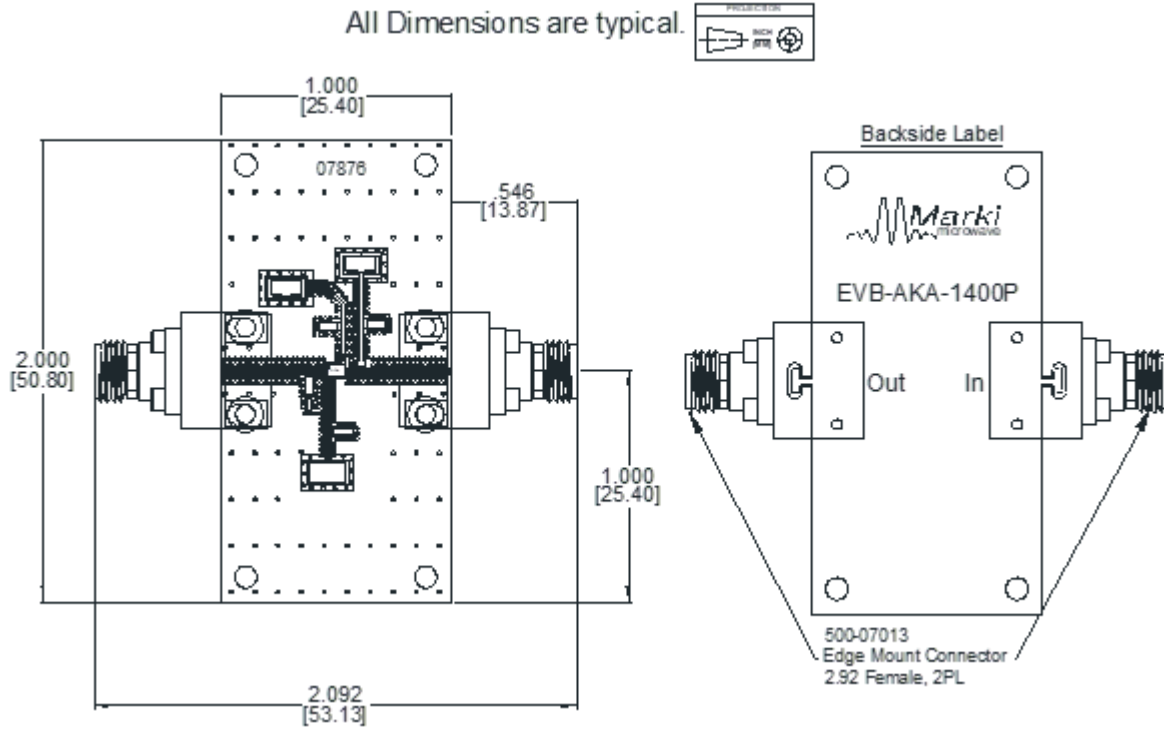
Outline Drawing



EVB-AKA-1400P

Evaluation Board, Broadband InGaP SMT DC – 14 GHz Amplifier

Evaluation Board - Outline Drawing



DISCLAIMER

MARKI MICROWAVE, INC., (“MARKI”) PROVIDES TECHNICAL SPECIFICATIONS AND DATA (INCLUDING DATASHEETS), APPLICATION OR OTHER DESIGN ADVICE, WEB TOOLS, AND OTHER INFORMATION AND RESOURCES “AS IS” AND WITH ALL FAULTS. MARKI DISCLAIMS ALL WARRANTIES, EXPRESS OR IMPLIED, INCLUDING, WITHOUT LIMITATION, ANY IMPLIED WARRANTIES OF MERCHANTABILITY, FITNESS FOR A PARTICULAR PURPOSE, OR NON-INFRINGEMENT. These resources are intended for developers skilled in the art designing with Marki products. You are solely responsible for (1) selecting the appropriate products for your application, (2) designing, validating, and testing your application, and (3) ensuring your application meets applicable standards and other requirements. Marki makes no guarantee regarding the suitability of its products for any particular purpose, nor does Marki assume any liability whatsoever arising out of your use or application of any Marki product.

Marki grants you permission to use these resources only for development of an application that uses Marki products. Other reproduction or use of these resources is strictly prohibited. No license is granted to any other Marki intellectual property or to any third-party intellectual property. Marki reserves the right to make changes to the product(s) or information contained herein without notice.

MARKI MICROWAVE and T3 MIXER are trademarks or registered trademarks of Marki Microwave, Inc. All other trademarks used are the property of their respective owners.

© 2022 - 2025, Marki Microwave, Inc