

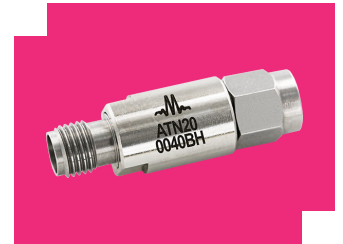
ATN20-0040BH

Passive GaAs MMIC DC - 40 GHz 20 dB Attenuator

DEVICE OVERVIEW

General Description

The ATN20-0040BH is a GaAs MMIC attenuator in an inline connectorized bullet housing package. The ATN20-0040BH provides a nominal 20.2 dB attenuation over a DC to 40 GHz operating range. The attenuator delivers accurate, repeatable performance with an excellent 27 dB return loss for test and measurement, and system level applications. GaAs MMIC technology provides consistent unit-to-unit performance. A 50-ohm match is maintained over the entire operating frequency range.



[Download s-parameters here](#)

Features

- Operating Range, DC to 40 GHz
- Attenuation, 20.2 dB Typical
- Return Loss, 27 dB Typical
- Compact Inline Bullet Housing

Applications

- 5G
- Test Equipment
- Precision Characterization
- Airborne Applications
- Amplitude Matching

Functional Block Diagram



Part Ordering Options

Part Number	Description	Package	Connectors	Green Status	Product Lifecycle	Export Classification
ATN20-0040BH	Passive GaAs MMIC DC - 40 GHz 20 dB Attenuator	BH	-	RoHS REACH	Released	EAR99

Table Of Contents

- **Device Overview**
 - General Description
 - Features
 - Applications
 - Functional Block Diagram
- **Port Configuration and Functions**
 - Port Diagram
 - Port Functions
- **Revision History**
- **Specifications**
 - Absolute Maximum Ratings
 - Package Information
 - Electrical Specifications
 - Typical Performance Plot
- **Mechanical Data**
 - Outline Drawing

Revision History

Revision Code	Revision Date	Comment
-	2026-02-09	Initial Release

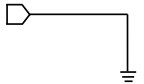
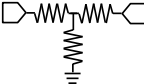
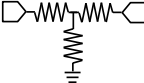
Port Configuration and Functions

Port Diagram

The package outline drawing is shown below.



Port Functions

Port	Function	Connector Type	Description	DC Equivalent Circuit
GND	Ground	-	Ground for the BH package is provided through the metal housing and outer coax conductor.	
IN	Input/Output	2.92F	IN and OUT are DC connected to each other and ground through a T-network of resistors.	
OUT	Input/Output	2.92M	IN and OUT are DC connected to each other and ground through a T-network of resistors.	

Specifications

Absolute Maximum Ratings

The Absolute Maximum Ratings indicate limits beyond which damage may occur to the device. If these limits are exceeded, the device may be inoperable or have a reduced lifetime.

Parameter	Maximum Rating	Unit
DC Current	100	mA
Maximum Operating Temperature	100	°C
Maximum Storage Temperature	125	°C
Minimum Operating Temperature	-55	°C
Minimum Storage Temperature	-65	°C
RF Power Handling	2	W

Power Handling measured with instantaneous CW of 2 GHz.

Package Information

Parameter	Details	Rating
ESD	250 to < 500 Volts	HBM Class 1A
Weight	Package name: BH	9.2g
Dimensions	-	30.1 x 9.5 mm

Electrical Specifications

The electrical specifications apply at TA=+25°C in a 50Ω system. Typical data shown is for the attenuator in a BH connectorized package with a sine wave input applied to the input port.

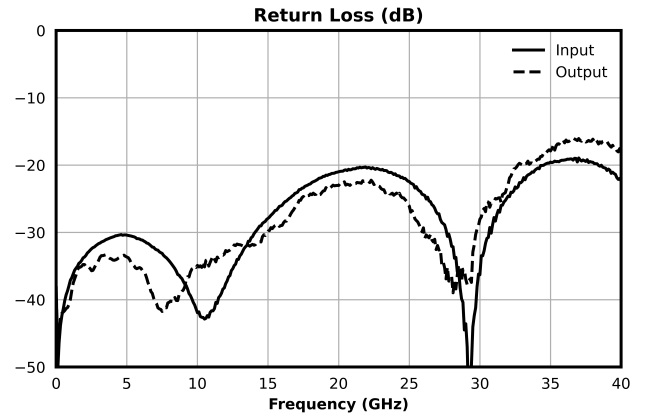
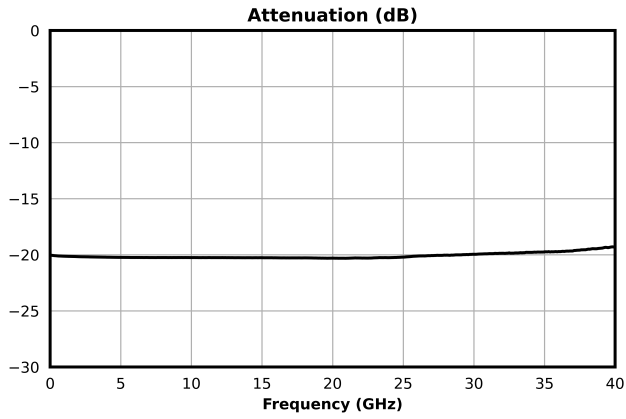
Parameter	Test Conditions	Minimum Frequency (GHz)	Maximum Frequency (GHz)	Min	Typ	Max	Unit
Attenuation	Configuration A, Temp = 25°C	0	40	-	20.2	-	dB
Return Loss	Configuration A, Temp = 25°C	0	40	-	29	-	dB
Attenuation Flatness ¹	Configuration A, Temp = 25°C	0	40	-	1.0	-	dB

^[1] Attenuation Flatness = Max(Insertion Loss) - Min(Insertion Loss)

ATN20-0040BH

Passive GaAs MMIC DC - 40 GHz 20 dB Attenuator

Typical Performance Plot




Mechanical Data

Outline Drawing

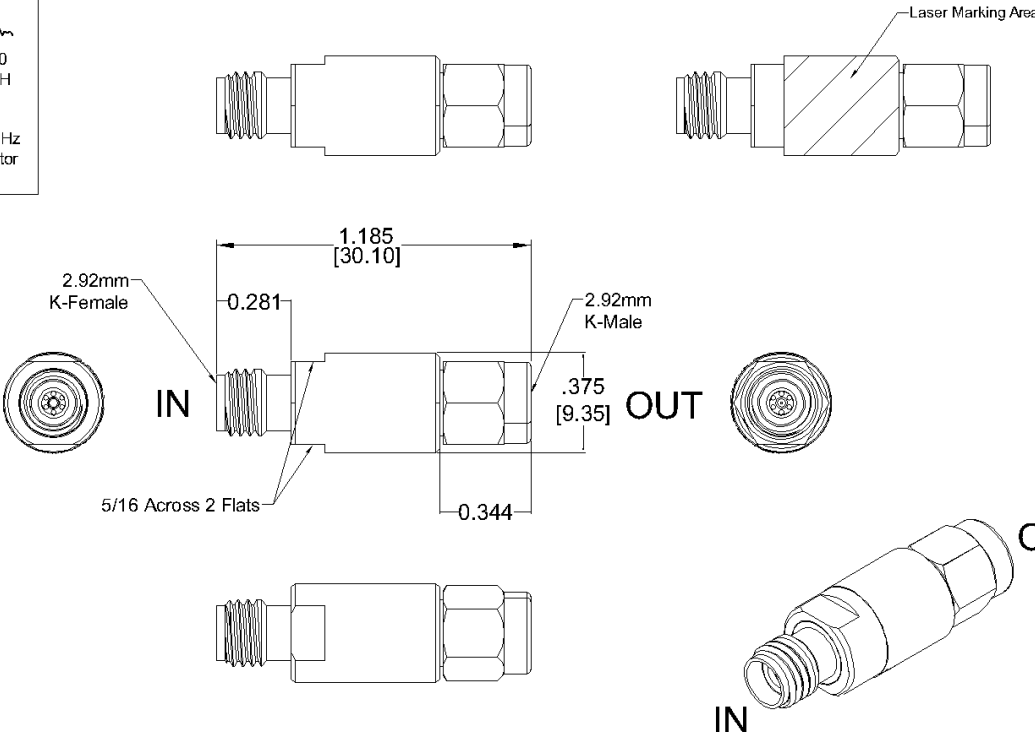
Download : [Outline 2D Drawing](#)

***All Dimensions are typical!**

Laser Marking on Part:



ATN20
0040BH
DC-40GHz
Attenuator
D/C



PROJECTION: INCH (MM)

REV.	DESCRIPTION	DATE	APPROVALS
B	ECN 224-01-06-2026	1/20/26	AT

Port #	Setup	Ω	Connector Type
In	In to Gnd	Typ. 52 Ω	2.92mm Female
Out	Out to Gnd	Typ. 52 Ω	2.92mm Male
I to O	In to Out	Typ. 83 Ω	2.92mm F-M

MATERIAL:	FINISH:	DO NOT SCALE DRAWING

NOTES:	DRAWN BY	DATE
	OG	4/28/2025
	LG	4/30/2025
	AVC	4/30/2025

SIZE	CAGE CODE	DWG. NO.
A	0UC32	ATN20-0040BH

RoHS Compliant (SN96.5/AG3.5) Components/Assembly

Proprietary: This document was originated by and is the property of Marki Microwave. Unauthorized disclosure is prohibited.

Marki microwave www.markimicrowave.com

Outline
ATN20-0040BH

SIZE A CAGE CODE 0UC32 DWG. NO. ATN20-0040BH

SHEET 1 OF 1

DISCLAIMER

MARKI MICROWAVE, LLC., ("MARKI") PROVIDES TECHNICAL SPECIFICATIONS AND DATA (INCLUDING DATASHEETS), APPLICATION OR OTHER DESIGN ADVICE, WEB TOOLS, AND OTHER INFORMATION AND RESOURCES "AS IS" AND WITH ALL FAULTS. MARKI DISCLAIMS ALL WARRANTIES, EXPRESS OR IMPLIED, INCLUDING, WITHOUT LIMITATION, ANY IMPLIED WARRANTIES OF MERCHANTABILITY, FITNESS FOR A PARTICULAR PURPOSE, OR NON-INFRINGEMENT.

These resources are intended for developers skilled in the art designing with Marki products. You are solely responsible for (1) selecting the appropriate products for your application, (2) designing, validating, and testing your application, and (3) ensuring your application meets applicable standards and other requirements. Marki makes no guarantee regarding the suitability of its products for any particular purpose, nor does Marki assume any liability whatsoever arising out of your use or application of any Marki product.

Marki grants you permission to use these resources only for development of an application that uses Marki products. Other reproduction or use of these resources is strictly prohibited. No license is granted to any other Marki intellectual property or to any third-party intellectual property. Marki reserves the right to make changes to the product(s) or information contained herein without notice.

MARKI MICROWAVE and T3 MIXER are trademarks or registered trademarks of Marki Microwave, LLC. All other trademarks used are the property of their respective owners.

© 2026, Marki Microwave, LLC