

ADPMVFK

ADP Series 2.4mm Male to 2.92mm Female Adapter

DEVICE OVERVIEW

General Description

The ADPMVFK is a 2.4mm Male to 2.92mm Female straight angle coaxial adapter. This adapter features low insertion loss and low VSWR across a DC-40 GHz bandwidth. 3/8" torque wrench and 6 mm fixed wrench recommended.



[Download s-parameters here](#)

Features

- Low VSWR
- Low loss

Applications

- Interconnect

Functional Block Diagram

N/A

Part Ordering Options

Part Number	Description	Connectors	Green Status	Product Lifecycle	Export Classification
ADPMVFK	ADP Series 2.4mm Male to 2.92mm Female Adapter	-	REACH RoHS compliant per Annex III, Exemption 6(c)	Released	EAR99

ADPMVFK

ADP Series 2.4mm Male to 2.92mm Female Adapter

Table Of Contents

- **Device Overview**
 - General Description
 - Features
 - Applications
- **Port Configuration and Functions**
 - Port Functions
- **Revision History**
- **Specifications**
 - Absolute Maximum Ratings
 - Electrical Specifications
 - Typical Performance Plot
- **Mechanical Data**
 - Outline Drawing

Revision History

Revision Code	Revision Date	Comment
-	2024-08-29	Initial Release

ADPMVFK

ADP Series 2.4mm Male to 2.92mm Female Adapter

Port Configuration and Functions

Port Functions

Port	Function	Connector Type	Description	Equivalent Circuit for Package
Port 1	IN/OUT	2.4M	-	-
Port 2	IN/OUT	2.92F	-	-

ADPMVFK

ADP Series 2.4mm Male to 2.92mm Female Adapter

Specifications

Absolute Maximum Ratings

Parameter	Maximum Rating	Unit
DC Current	7.5	A
Maximum Operating Temperature	105	°C
Minimum Operating Temperature	-55	°C

ADPMVFK

ADP Series 2.4mm Male to 2.92mm Female Adapter

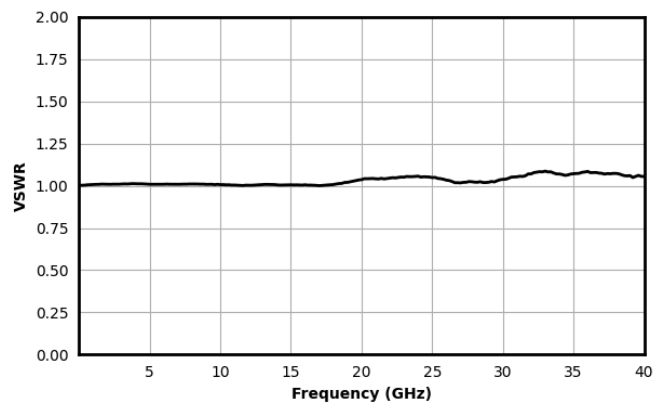
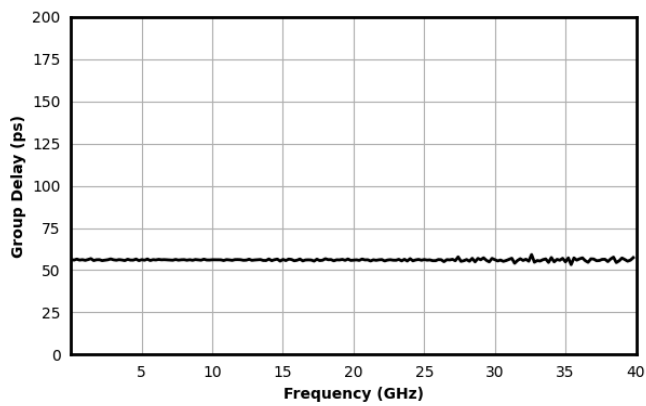
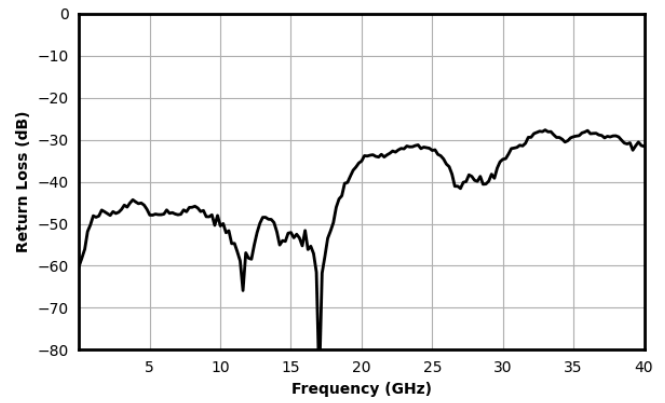
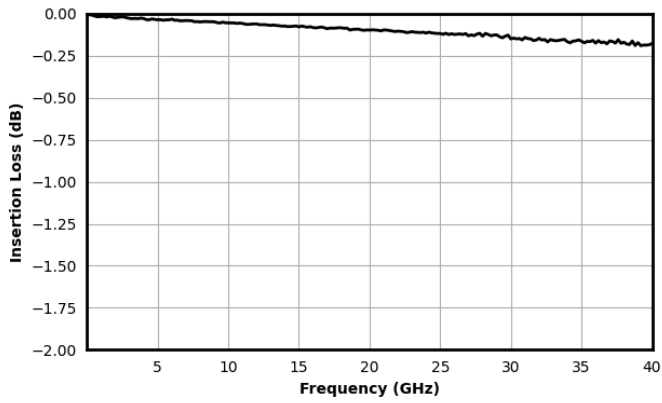
Electrical Specifications

Parameter	Test Conditions	Minimum Frequency (GHz)	Maximum Frequency (GHz)	Min	Typ	Max	Unit
Insertion Loss	-	0	40	-	0.1	-	dB
Return Loss	-	0	40	-	40	-	dB
VSWR	-	0	40	-	1.02	-	

ADPMVFK

ADP Series 2.4mm Male to 2.92mm Female Adapter

Typical Performance Plot



ADPMVFK

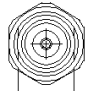
ADP Series 2.4mm Male to 2.92mm Female Adapter

Mechanical Data

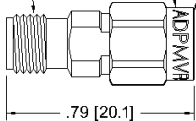
Outline Drawing

Download : [Outline 2D Drawing](#)

REVISIONS				
ECN	REV.	DESCRIPTION	DATE	APPROVALS
	A	Initial Release	6/19/25	AT



.236 [5.99] Flat




Model Number
ADPMVFK

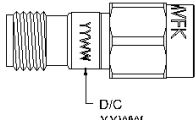
2.92mm Female
(FK-Connector)
(1/4-36 UNS-2A)

2.4mm Male
(MV-Connector)
(M7 x 0.75-6H)

.79 [20.1]



.315 [8] HEX



D/C
YYWW


Parts	Material	Plating (Micro-inch)
Contact Pins	Beryllium Copper (BeCu)	Gold pl. 4 min. ,over Nickel-phosphorus Alloy pl. 80 min. ,over Copper pl. 20 min.
Insulator	PPO	
Body	Stainless Steel	Passivated
Coupling Nut	Stainless Steel	Passivated

NOTE:

- All Dimensions are in Inches [Metric].

JUN 19 2025 09:28:55
 2.4mm Plug to 2.92mm Jack
 ADPMVFK
 001
 005

DRAWN BY	DATE
TNN	06-20-2024



www.markimicrowave.com

2.4mm Plug to 2.92mm Jack
ADPMVFK

SIZE	CAGE CODE	DWG. NO.
A	0UC32	ADPMVFK

Proprietary: This document was originated by and is the property of Marki Microwave. Unauthorized disclosure is prohibited. **DO NOT SCALE DRAWING** SCALE NONE SHEET 1 OF 1

DISCLAIMER

MARKI MICROWAVE, INC., ("MARKI") PROVIDES TECHNICAL SPECIFICATIONS AND DATA (INCLUDING DATASHEETS), APPLICATION OR OTHER DESIGN ADVICE, WEB TOOLS, AND OTHER INFORMATION AND RESOURCES "AS IS" AND WITH ALL FAULTS. MARKI DISCLAIMS ALL WARRANTIES, EXPRESS OR IMPLIED, INCLUDING, WITHOUT LIMITATION, ANY IMPLIED WARRANTIES OF MERCHANTABILITY, FITNESS FOR A PARTICULAR PURPOSE, OR NON-INFRINGEMENT. These resources are intended for developers skilled in the art designing with Marki products. You are solely responsible for (1) selecting the appropriate products for your application, (2) designing, validating, and testing your application, and (3) ensuring your application meets applicable standards and other requirements. Marki makes no guarantee regarding the suitability of its products for any particular purpose, nor does Marki assume any liability whatsoever arising out of your use or application of any Marki product.

Marki grants you permission to use these resources only for development of an application that uses Marki products. Other reproduction or use of these resources is strictly prohibited. No license is granted to any other Marki intellectual property or to any third-party intellectual property. Marki reserves the right to make changes to the product(s) or information contained herein without notice.

MARKI MICROWAVE and T3 MIXER are trademarks or registered trademarks of Marki Microwave, Inc. All other trademarks used are the property of their respective owners.

© 2024, Marki Microwave, Inc