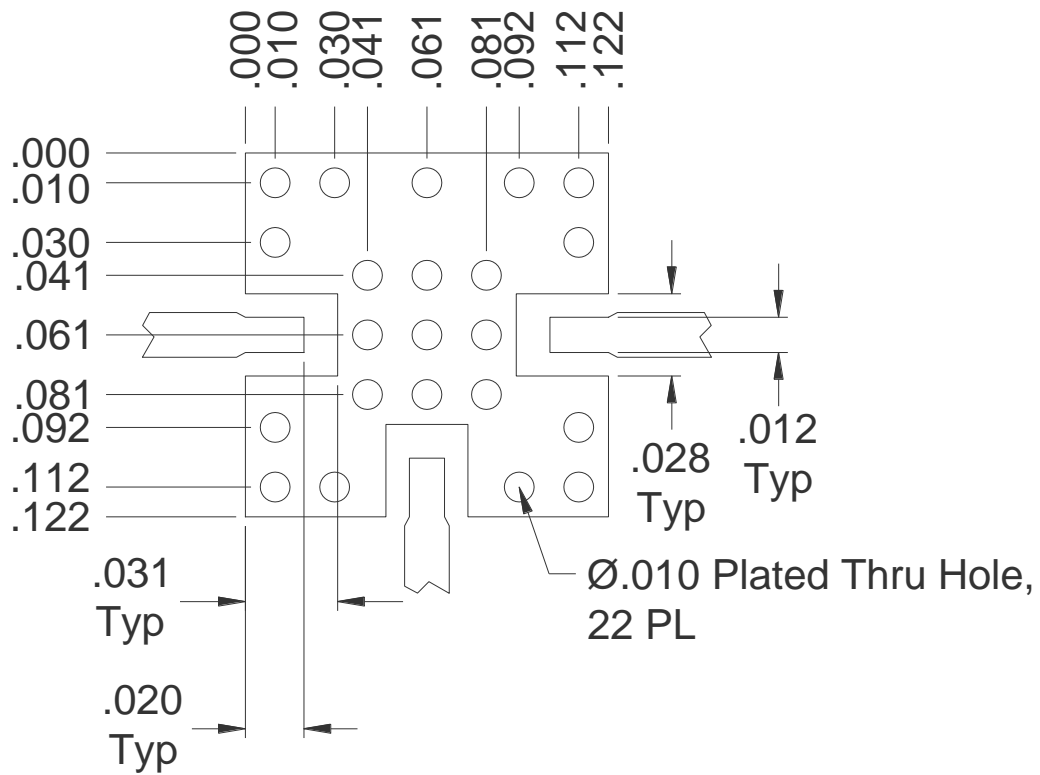


215 Vineyard Court  
Morgan Hill, CA 95037  
Phone (408) 778-4200  
FAX (408) 778-4300  
[Website: MarkiMicrowave.com](http://Website: MarkiMicrowave.com)

QFN12L-Package Surface-Mount System Circuit Footprint



[Click here for a dxf of the above layout.](#)