

EVB-ADM-8006P

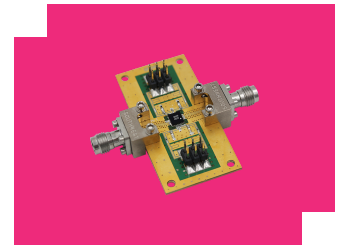
Evaluation Board, 2 - 30 GHz Surface Mount Amplifier

DEVICE OVERVIEW

General Description

The EVB-ADM-8006P is a connectorized evaluation board for the ADM-8006PSM 2-30 GHz surface mount amplifier.

[Download s-parameters here](#)



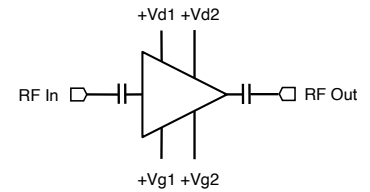
Features

N/A

Applications

N/A

Functional Block Diagram



Part Ordering Options

Part Number	Description	Package	Green Status	Product Lifecycle	Export Classification
ADM-8006PSM	2 - 30 GHz Surface Mount Amplifier	QFN	REACH RoHS	Released	EAR99
EVB-ADM-8006P	Evaluation Board, 2 - 30 GHz Surface Mount Amplifier	EVB	REACH RoHS	Released	EAR99



www.markimicrowave.com

EVB-ADM-8006P

Evaluation Board, 2 - 30 GHz Surface Mount Amplifier

Table Of Contents

- **Device Overview**
 - General Description
 - Features
 - Applications
 - Functional Block Diagram
- **Revision History**
- **Specifications**
- **Mechanical Data**
 - Outline Drawing
- **Evaluation Board**
 - Evaluation Board Bill of Materials
 - Evaluation Board Bill of Materials Table
 - Evaluation Board Outline Drawing

Revision History

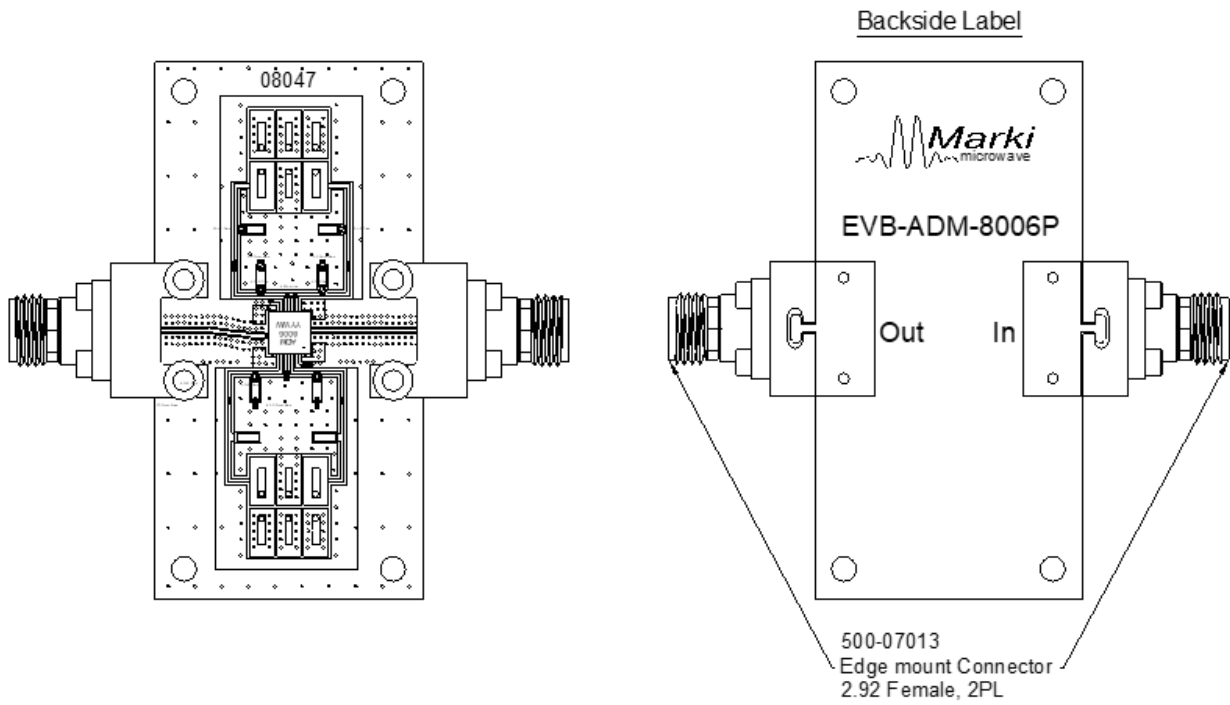
Revision Code	Revision Date	Comment
-	2024-04-09	Initial Datasheet Release

EVB-ADM-8006P

Evaluation Board, 2 - 30 GHz Surface Mount
Amplifier

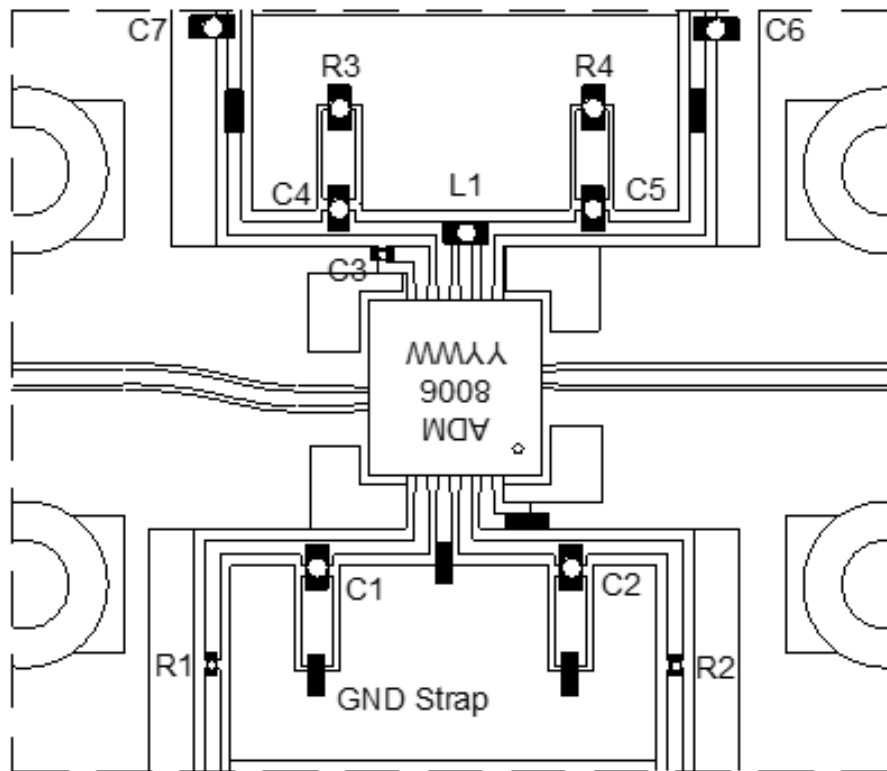
Mechanical Data

Outline Drawing



Evaluation Board

Evaluation Board Bill of Materials



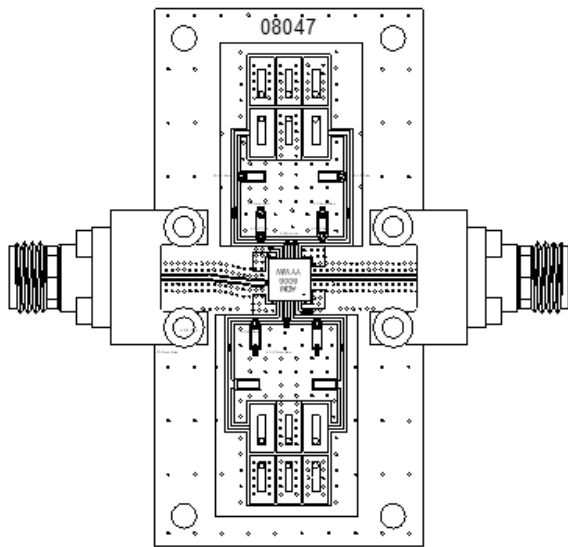
Evaluation Board Bill of Materials Table

Reference	Manufacturer	Description	Qty
RF In, RF Out	Southwest	(PN: 1492-04A-5) Connector, Edge Mount, 2.9mm F	2
DC Headers	Various	C-grid Header (6-pin)	2
R1	Various	0201 Res 270Ω	1
R2	Various	0201 Res 82.5Ω	1
R3, R4	Various	0402 Res 10Ω	2
C1, C2, C4, C5	Various	0402 Cap 4.7uF	4
C3	Various	0201 Cap 0.1uF	2
C6, C7	Various	0402 Cap 10uF	2
L1	Coilcraft	(PN: 0402AF-421XJL) 0402 Wirewound Inductor 420nH	1
GND Strap	Various	Copper Ribbon 15 mil Pb/Sn	6
U1	Marki	(PN: ADM-8006PSM) 2-30GHz, 22dBm Amplifier	1

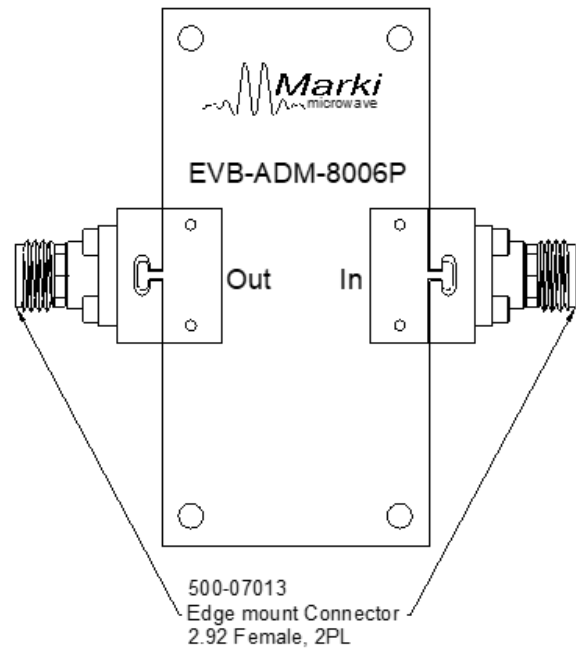
EVB-ADM-8006P

Evaluation Board, 2 - 30 GHz Surface Mount Amplifier

Evaluation Board - Outline Drawing



Backside Label



DISCLAIMER

MARKI MICROWAVE, INC., ("MARKI") PROVIDES TECHNICAL SPECIFICATIONS AND DATA (INCLUDING DATASHEETS), APPLICATION OR OTHER DESIGN ADVICE, WEB TOOLS, AND OTHER INFORMATION AND RESOURCES "AS IS" AND WITH ALL FAULTS. MARKI DISCLAIMS ALL WARRANTIES, EXPRESS OR IMPLIED, INCLUDING, WITHOUT LIMITATION, ANY IMPLIED WARRANTIES OF MERCHANTABILITY, FITNESS FOR A PARTICULAR PURPOSE, OR NON-INFRINGEMENT. These resources are intended for developers skilled in the art designing with Marki products. You are solely responsible for (1) selecting the appropriate products for your application, (2) designing, validating, and testing your application, and (3) ensuring your application meets applicable standards and other requirements. Marki makes no guarantee regarding the suitability of its products for any particular purpose, nor does Marki assume any liability whatsoever arising out of your use or application of any Marki product.

Marki grants you permission to use these resources only for development of an application that uses Marki products. Other reproduction or use of these resources is strictly prohibited. No license is granted to any other Marki intellectual property or to any third-party intellectual property. Marki reserves the right to make changes to the product(s) or information contained herein without notice.

MARKI MICROWAVE and T3 MIXER are trademarks or registered trademarks of Marki Microwave, Inc. All other trademarks used are the property of their respective owners.

© 2024, Marki Microwave, Inc