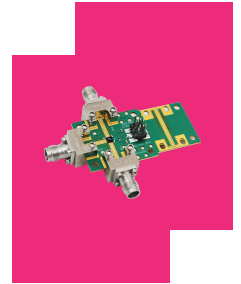


EVB-MSW2-1002H

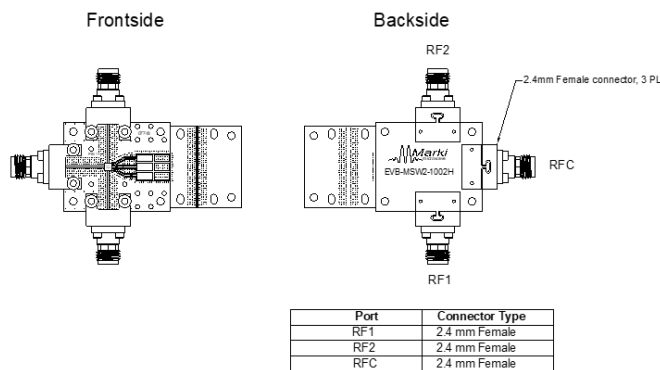
General Description

The EVB-MSW2-1002H is a connectorized evaluation board for the MSW2-1002HLGA surface mount 0.1-20 GHz single-pole double throw (SPDT) switch.

[Download s-parameters here](#)



Outline Drawing

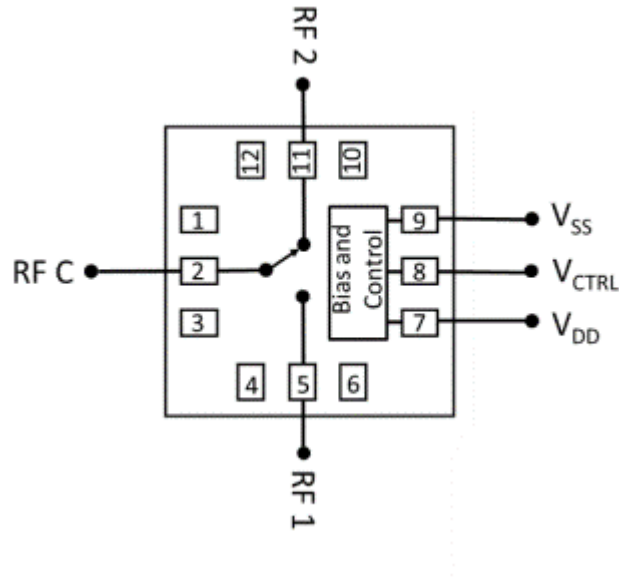


RoHS Compliant (SN96.5/AG3.5) Components/Assembly

Part Ordering Options

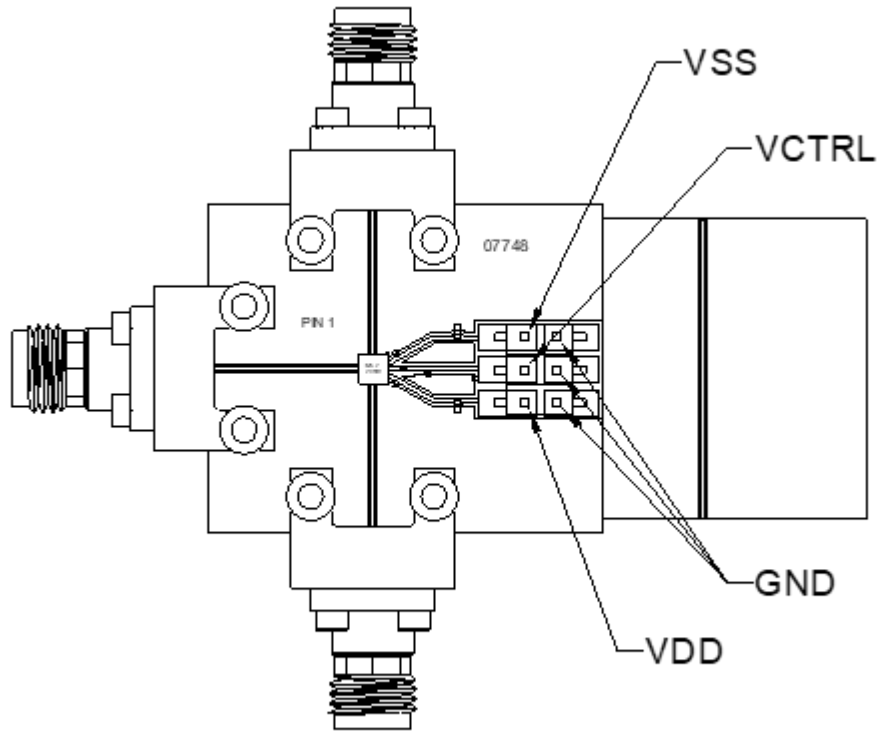
Part Number	Description	Package	Green Status	Product Lifecycle	Export Classification
MSW2-1002HLGA	0.1-20 GHz Surface Mount High Power SPDT Switch	LGA	REACH RoHS	Released	EAR99
EVB-MSW2-1002H	0.1 - 20 GHz Surface Mount SPDT Switch	EVB	REACH RoHS	Released	EAR99

Functional Block Diagram

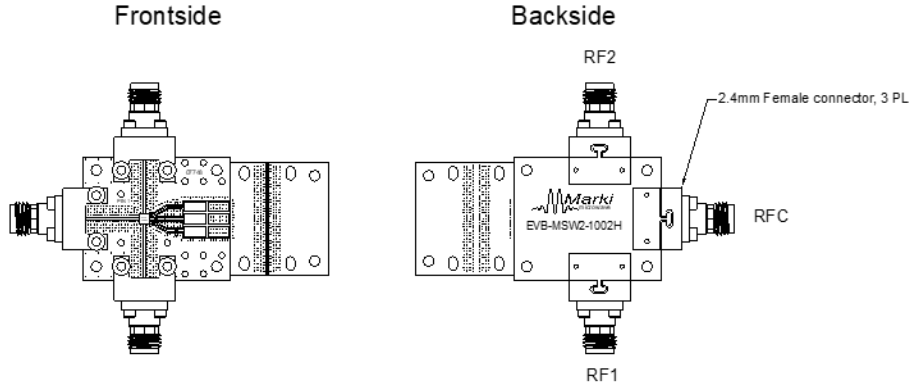


Port Configuration and Functions

Application Information



Evaluation Board - Outline Drawing



Port	Connector Type
RF1	2.4 mm Female
RF2	2.4 mm Female
RFC	2.4 mm Female

RoHS Compliant (SN96.5/AG3.5) Components/Assembly

EVB-MSW2-1002H

0.1 - 20 GHz Surface Mount SPDT Switch

Revision History

Revision Code	Revision Date	Comment
-	2024-05-21	Initial Release

EVB-MSW2-1002H

0.1 - 20 GHz Surface Mount SPDT Switch

DISCLAIMER

MARKI MICROWAVE, INC., ("MARKI") PROVIDES TECHNICAL SPECIFICATIONS AND DATA (INCLUDING DATASHEETS), APPLICATION OR OTHER DESIGN ADVICE, WEB TOOLS, AND OTHER INFORMATION AND RESOURCES "AS IS" AND WITH ALL FAULTS. MARKI DISCLAIMS ALL WARRANTIES, EXPRESS OR IMPLIED, INCLUDING, WITHOUT LIMITATION, ANY IMPLIED WARRANTIES OF MERCHANTABILITY, FITNESS FOR A PARTICULAR PURPOSE, OR NON-INFRINGEMENT.

These resources are intended for developers skilled in the art designing with Marki products. You are solely responsible for (1) selecting the appropriate products for your application, (2) designing, validating, and testing your application, and (3) ensuring your application meets applicable standards and other requirements. Marki makes no guarantee regarding the suitability of its products for any particular purpose, nor does Marki assume any liability whatsoever arising out of your use or application of any Marki product. Marki grants you permission to use these resources only for development of an application that uses Marki products. Other reproduction or use of these resources is strictly prohibited. No license is granted to any other Marki intellectual property or to any third-party intellectual property. Marki reserves the right to make changes to the product(s) or information contained herein without notice.

MARKI MICROWAVE and T3 MIXER are trademarks or registered trademarks of Marki Microwave, Inc. All other trademarks used are the property of their respective owners.

© 2024, Marki Microwave, Inc