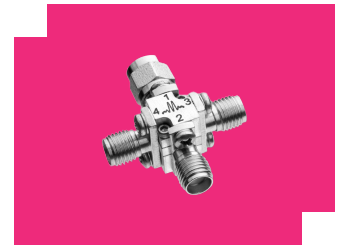


PT-0020 RESISTIVE PICK-OFF TEE

DEVICE OVERVIEW

General Description

The PT-0020 is a DC to 20 GHz pick off tee. A pick off tee is a resistive circuit that provides non-directional coupling of microwave signals. In an extremely well-matched system, the PT-0020 can provide extremely broadband signal monitoring in a very small package. Due to reflections, a directional coupler is typically preferred over a pick off tee for most applications.



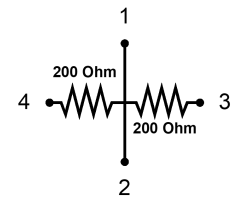
Features

- Broadband (DC – 20 GHz)
- Flat 16 dB pick-off loss
- Excellent pick-off flatness near DC
- Small package size

Applications

N/A

Functional Block Diagram



Part Ordering Options

Part Number	Description	Connectors	Green Status	Product Lifecycle	Export Classification
PT-0020	RESISTIVE PICK-OFF TEE	<u>Standard</u>	Non-RoHS	Released	EAR99

Table Of Contents

■ Device Overview

- General Description
- Features
- Applications
- Functional Block Diagram

■ Specifications

- Absolute Maximum Ratings
- Package Information
- Electrical Specifications
- Typical Performance

■ Mechanical Data

- Outline Drawing

Specifications

Absolute Maximum Ratings

Parameter	Maximum Rating	Unit
RF Power Handling	1	W

Package Information

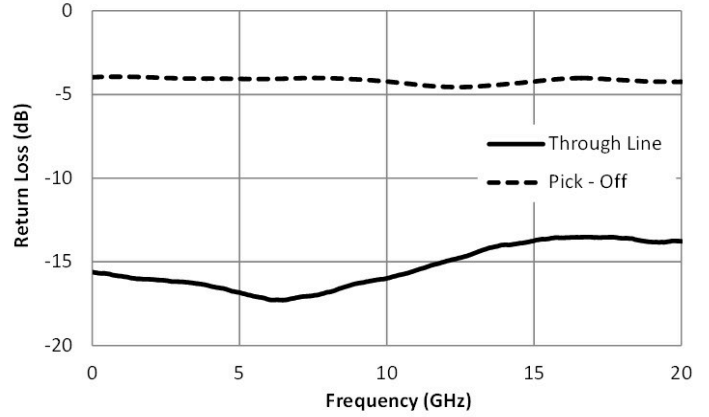
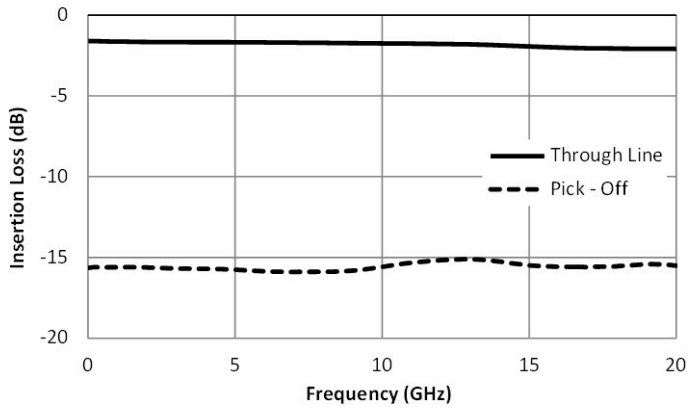
Parameter	Details	Rating
Dimensions	-	13.0 × 7.87 mm

Electrical Specifications

Specifications guaranteed from -55 to +100°C, measured in a 50-Ohm system.

Parameter	Test Conditions	Minimum Frequency (GHz)	Maximum Frequency (GHz)	Min	Typ	Max	Unit
Average Power Handling	DC to 20.0 GHz	-	-	-	-	1	W
Insertion Loss	DC to 20.0 GHz	-	-	-	2	2.5	dB
Pick-Off Loss	DC to 20.0 GHz	-	-	-	16	-	dB
Pick – Off Return Loss	DC to 20.0 GHz	-	-	-	5	-	dB
Through Line Return Loss	DC to 20.0 GHz	-	-	-	15	-	dB

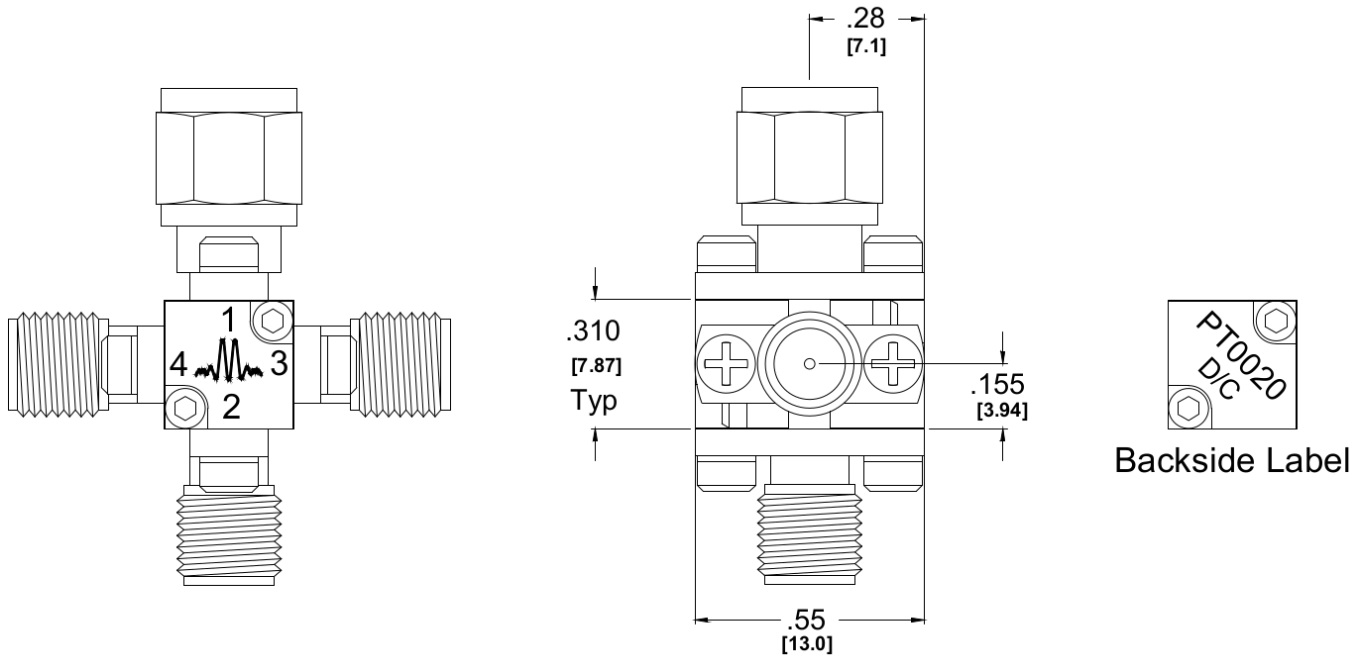
Typical Performance



Mechanical Data

Outline Drawing

Download : [Outline 2D Drawing](#) | [Outline 3D Drawing](#) | [Outline 3D STP](#)



DISCLAIMER

MARKI MICROWAVE, INC., ("MARKI") PROVIDES TECHNICAL SPECIFICATIONS AND DATA (INCLUDING DATASHEETS), APPLICATION OR OTHER DESIGN ADVICE, WEB TOOLS, AND OTHER INFORMATION AND RESOURCES "AS IS" AND WITH ALL FAULTS. MARKI DISCLAIMS ALL WARRANTIES, EXPRESS OR IMPLIED, INCLUDING, WITHOUT LIMITATION, ANY IMPLIED WARRANTIES OF MERCHANTABILITY, FITNESS FOR A PARTICULAR PURPOSE, OR NON-INFRINGEMENT. These resources are intended for developers skilled in the art designing with Marki products. You are solely responsible for (1) selecting the appropriate products for your application, (2) designing, validating, and testing your application, and (3) ensuring your application meets applicable standards and other requirements. Marki makes no guarantee regarding the suitability of its products for any particular purpose, nor does Marki assume any liability whatsoever arising out of your use or application of any Marki product.

Marki grants you permission to use these resources only for development of an application that uses Marki products. Other reproduction or use of these resources is strictly prohibited. No license is granted to any other Marki intellectual property or to any third-party intellectual property. Marki reserves the right to make changes to the product(s) or information contained herein without notice.

MARKI MICROWAVE and T3 MIXER are trademarks or registered trademarks of Marki Microwave, Inc. All other trademarks used are the property of their respective owners.

© 2022 - 2025, Marki Microwave, Inc