

EVB-BAL-0032

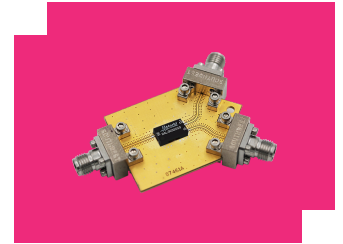
Evaluation Board, 0.01 - 32 GHz Surface-Mount Broadband Balun

DEVICE OVERVIEW

General Description

The EVB-BAL-0032 is a connectorized evaluation board for the BAL-0032SSG 0.01 - 32 GHz surface mount broadband balun.

[Download s-parameters here](#)



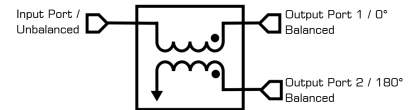
Features

N/A

Applications

N/A

Functional Block Diagram



Part Ordering Options

Part Number	Description	Package	Green Status	Product Lifecycle	Export Classification
BAL-0032SSG	SURFACE-MOUNT BROADBAND BALUN	SSG	REACH RoHS	Released	EAR99
EVB-BAL-0032	Evaluation Board, 0.01 - 32 GHz Surface-Mount Broadband Balun	EVB	REACH RoHS	Released	EAR99



www.markimicrowave.com

EVB-BAL-0032

Evaluation Board, 0.01 - 32 GHz Surface-Mount Broadband Balun

Table Of Contents

■ **Device Overview**

- General Description
- Features
- Applications
- Functional Block Diagram

■ **Specifications**

- Electrical Specifications

■ **Mechanical Data**

- Outline Drawing

■ **Evaluation Board**

- Evaluation Board - Performance Data
- Evaluation Board Outline Drawing

EVB-BAL-0032

Evaluation Board, 0.01 - 32 GHz Surface-Mount
Broadband Balun

Electrical Specifications

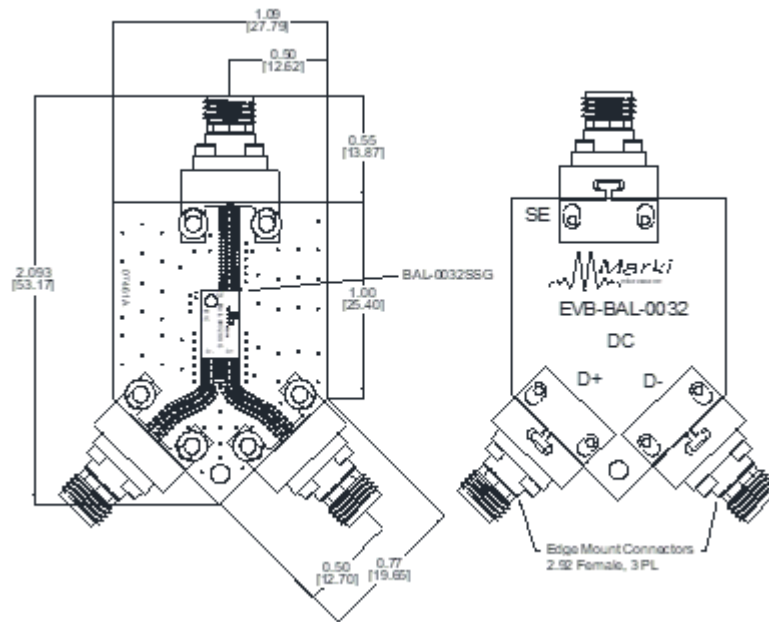
Parameter	Test Conditions	Minimum Frequency (GHz)	Maximum Frequency (GHz)	Min	Typ	Max	Unit
Impedance Ratio	-	-	-	-	2:1	-	

EVB-BAL-0032

Evaluation Board, 0.01 - 32 GHz Surface-Mount
Broadband Balun

Mechanical Data

Outline Drawing



EVB-BAL-0032

**Evaluation Board, 0.01 - 32 GHz Surface-Mount
Broadband Balun**

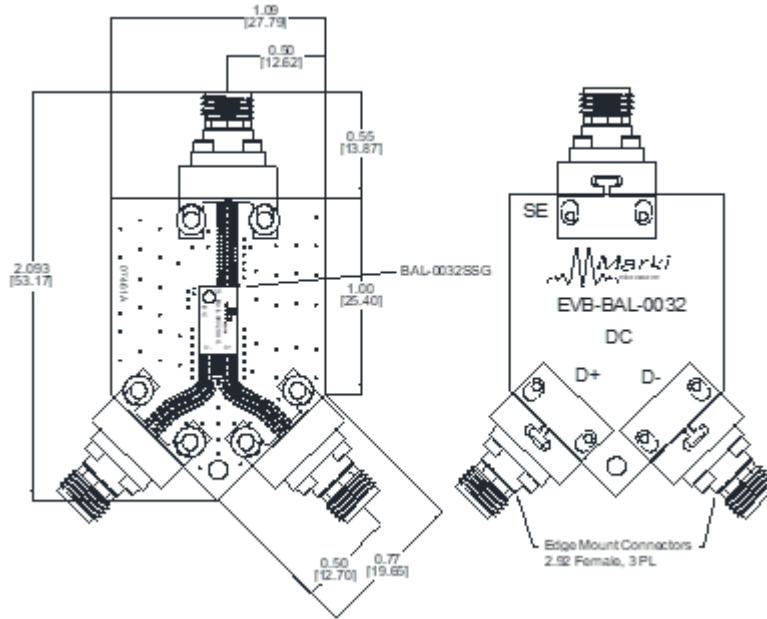
Evaluation Board - Performance Data

Parameter	Test Conditions	Frequency Range (GHz)	Min	Typ	Max	Unit
Impedance Ratio	-	-	-	2	-	

EVB-BAL-0032

Evaluation Board, 0.01 - 32 GHz Surface-Mount
Broadband Balun

Evaluation Board - Outline Drawing



DISCLAIMER

MARKI MICROWAVE, INC., ("MARKI") PROVIDES TECHNICAL SPECIFICATIONS AND DATA (INCLUDING DATASHEETS), APPLICATION OR OTHER DESIGN ADVICE, WEB TOOLS, AND OTHER INFORMATION AND RESOURCES "AS IS" AND WITH ALL FAULTS. MARKI DISCLAIMS ALL WARRANTIES, EXPRESS OR IMPLIED, INCLUDING, WITHOUT LIMITATION, ANY IMPLIED WARRANTIES OF MERCHANTABILITY, FITNESS FOR A PARTICULAR PURPOSE, OR NON-INFRINGEMENT.

These resources are intended for developers skilled in the art designing with Marki products. You are solely responsible for (1) selecting the appropriate products for your application, (2) designing, validating, and testing your application, and (3) ensuring your application meets applicable standards and other requirements. Marki makes no guarantee regarding the suitability of its products for any particular purpose, nor does Marki assume any liability whatsoever arising out of your use or application of any Marki product.

Marki grants you permission to use these resources only for development of an application that uses Marki products. Other reproduction or use of these resources is strictly prohibited. No license is granted to any other Marki intellectual property or to any third-party intellectual property. Marki reserves the right to make changes to the product(s) or information contained herein without notice.

MARKI MICROWAVE and T3 MIXER are trademarks or registered trademarks of Marki Microwave, Inc. All other trademarks used are the property of their respective owners.

© 2022 - 2025, Marki Microwave, Inc