

EVAL-MEQ3-7A

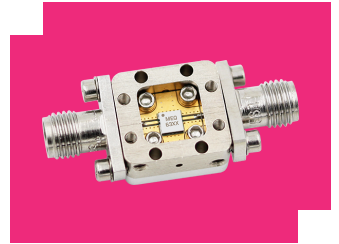
Evaluation Board, Passive GaAs MMIC 7 GHz Equalizer

DEVICE OVERVIEW

General Description

The EVAL-MEQ3-7A is a connectorized evaluation board for the MEQ3-7ASM passive MMIC surface mount 7 GHz Equalizer.

[Download s-parameters here](#)



Features

N/A

Applications

N/A

Functional Block Diagram



Part Ordering Options

Part Number	Description	Package	Green Status	Product Lifecycle	Export Classification
MEQ3-7ASM	Passive GaAs MMIC 7GHz Equalizer	QFN	REACH RoHS	Released	EAR99
EVAL-MEQ3-7A	Evaluation Board, Passive GaAs MMIC 7 GHz Equalizer	EVAL	REACH RoHS	Released	EAR99



www.markimicrowave.com

EVAL-MEQ3-7A

Evaluation Board, Passive GaAs MMIC 7 GHz Equalizer

Table Of Contents

■ Device Overview

General Description

Features

Applications

Functional Block Diagram

■ Specifications

■ Mechanical Data

Outline Drawing

■ Evaluation Board

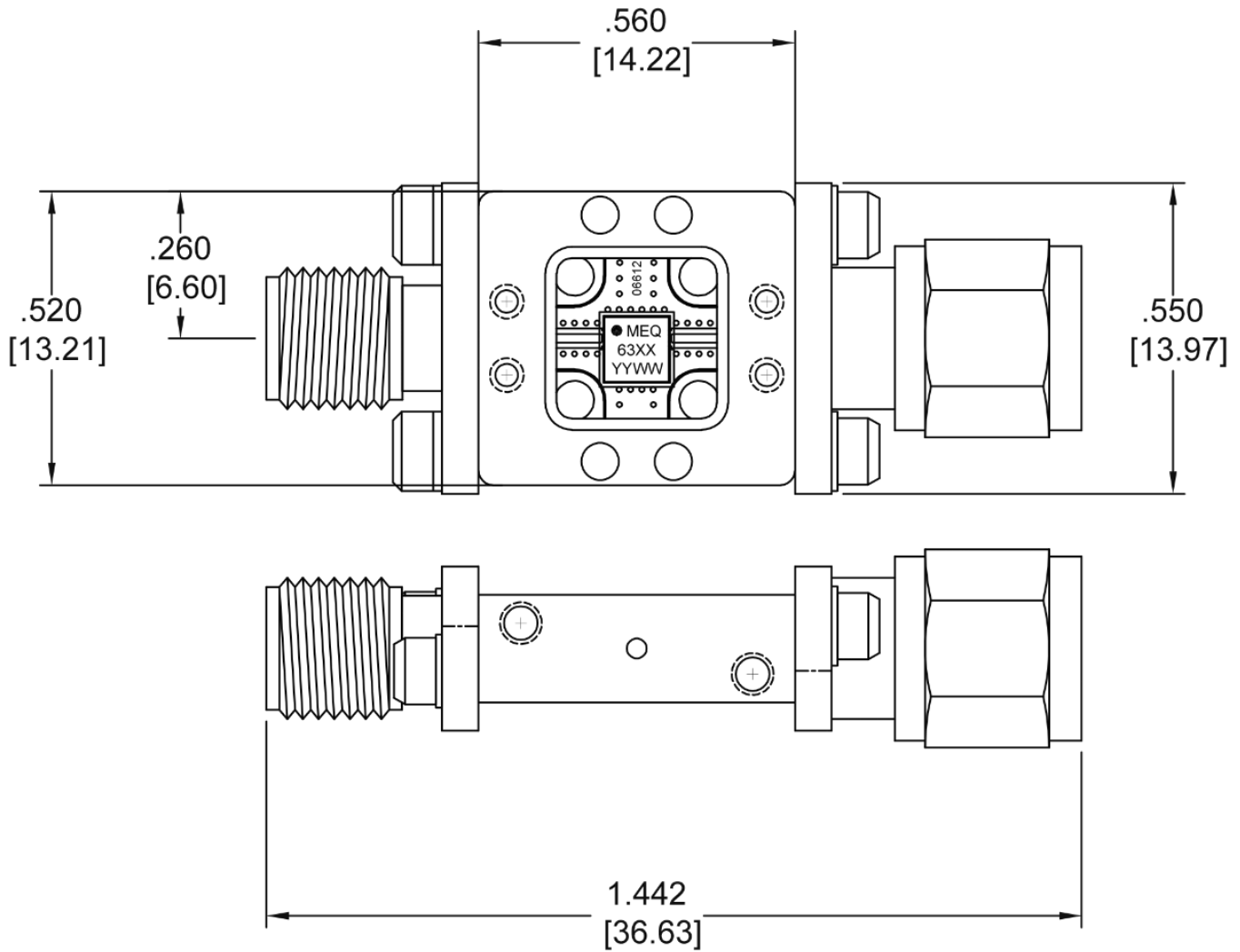
Evaluation Board Outline Drawing

EVAL-MEQ3-7A

Evaluation Board, Passive GaAs MMIC 7 GHz Equalizer

Mechanical Data

Outline Drawing



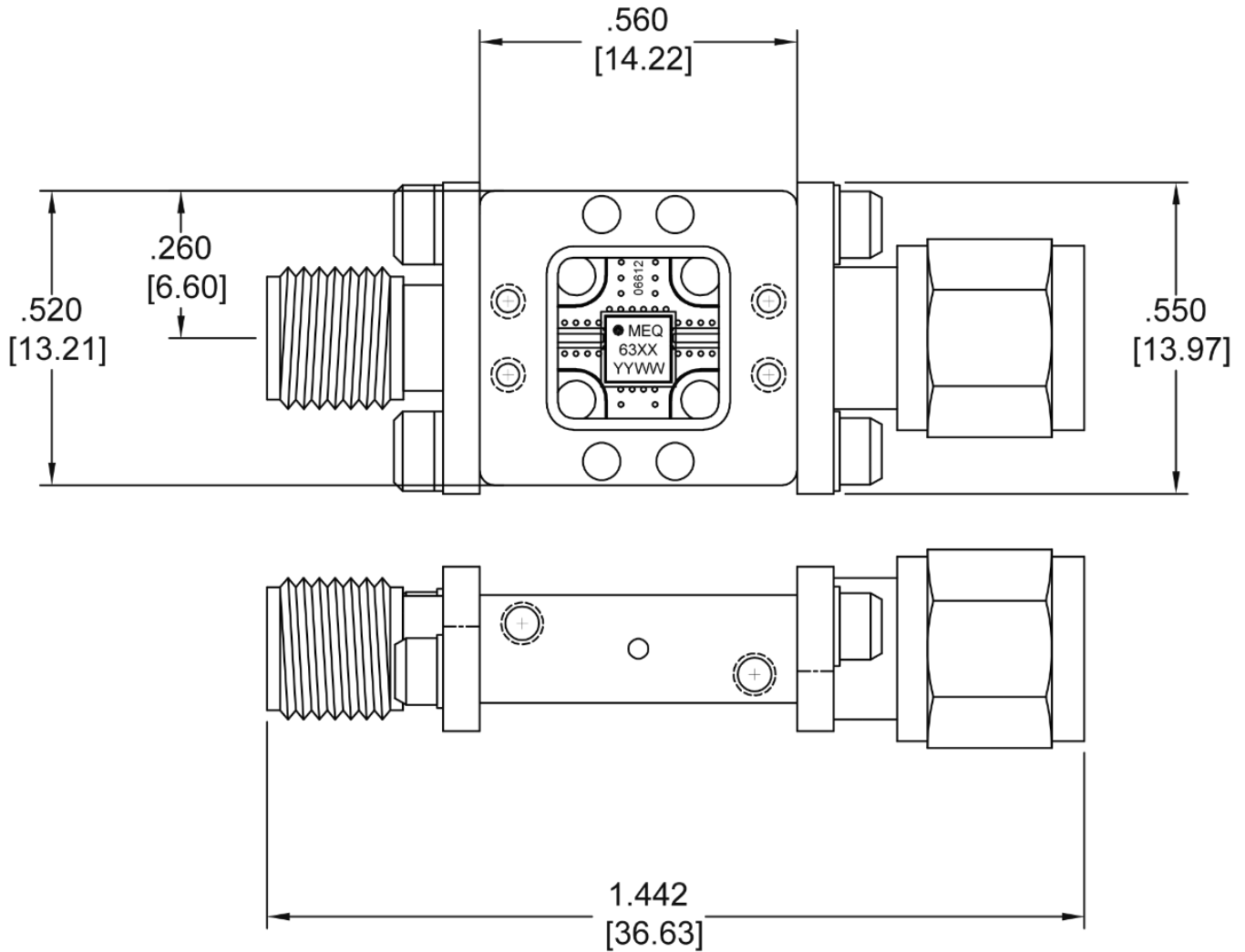
XX	Part Number
33	Eval-MEQ3-7A
34	Eval-MEQ6-7A
35	Eval-MEQ10-7A
44	Eval-MEQ12-7A

Port	Connector Type
I	SMA Female
O	SMA Male
Note: Eval-Package Connectors are not removeable.	

EVAL-MEQ3-7A

Evaluation Board, Passive GaAs MMIC 7 GHz Equalizer

Evaluation Board - Outline Drawing



XX	Part Number
33	Eval-MEQ3-7A
34	Eval-MEQ6-7A
35	Eval-MEQ10-7A
44	Eval-MEQ12-7A

Port	Connector Type
I	SMA Female
O	SMA Male

Note: Eval-Package Connectors are not removeable.

DISCLAIMER

MARKI MICROWAVE, INC., ("MARKI") PROVIDES TECHNICAL SPECIFICATIONS AND DATA (INCLUDING DATASHEETS), APPLICATION OR OTHER DESIGN ADVICE, WEB TOOLS, AND OTHER INFORMATION AND RESOURCES "AS IS" AND WITH ALL FAULTS. MARKI DISCLAIMS ALL WARRANTIES, EXPRESS OR IMPLIED, INCLUDING, WITHOUT LIMITATION, ANY IMPLIED WARRANTIES OF MERCHANTABILITY, FITNESS FOR A PARTICULAR PURPOSE, OR NON-INFRINGEMENT.

These resources are intended for developers skilled in the art designing with Marki products. You are solely responsible for (1) selecting the appropriate products for your application, (2) designing, validating, and testing your application, and (3) ensuring your application meets applicable standards and other requirements. Marki makes no guarantee regarding the suitability of its products for any particular purpose, nor does Marki assume any liability whatsoever arising out of your use or application of any Marki product.

Marki grants you permission to use these resources only for development of an application that uses Marki products. Other reproduction or use of these resources is strictly prohibited. No license is granted to any other Marki intellectual property or to any third-party intellectual property. Marki reserves the right to make changes to the product(s) or information contained herein without notice.

MARKI MICROWAVE and T3 MIXER are trademarks or registered trademarks of Marki Microwave, Inc. All other trademarks used are the property of their respective owners.

© 2022 - 2025, Marki Microwave, Inc