

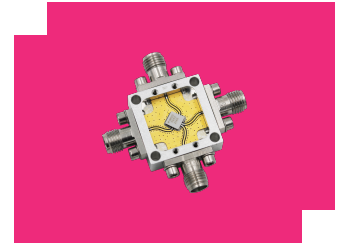
EVB-MM2D-0528SC

Evaluation Board, GaAs MMIC 5-28 GHz Differential IF Triple Balanced Mixer

DEVICE OVERVIEW

General Description

The EVB-MM2D-0528SC is a connectorized evaluation board for the MM2D-0528SCSM is a GaAs MMIC 5-28 GHz triple balanced mixer with high dynamic range and low conversion loss.



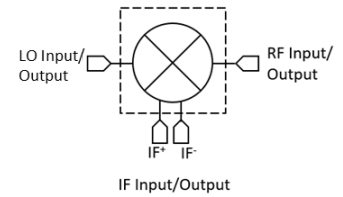
Features

N/A

Applications

N/A

Functional Block Diagram



Part Ordering Options

Part Number	Description	Package	Green Status	Product Lifecycle	Export Classification
MM2D-0528SCSM-2	GaAs MMIC Differential IF Triple Balanced Mixer	QFN	REACH RoHS	Released	EAR99
EVB-MM2D-0528SC	Evaluation Board, GaAs MMIC 5-28 GHz Differential IF Triple Balanced Mixer	EVB	REACH RoHS	Released	EAR99



www.markimicrowave.com

EVB-MM2D-0528SC

Evaluation Board, GaAs MMIC 5-28 GHz

Differential IF Triple Balanced Mixer

Table Of Contents

- **Device Overview**

- General Description

- Features

- Applications

- Functional Block Diagram

- **Specifications**

- **Mechanical Data**

- Outline Drawing

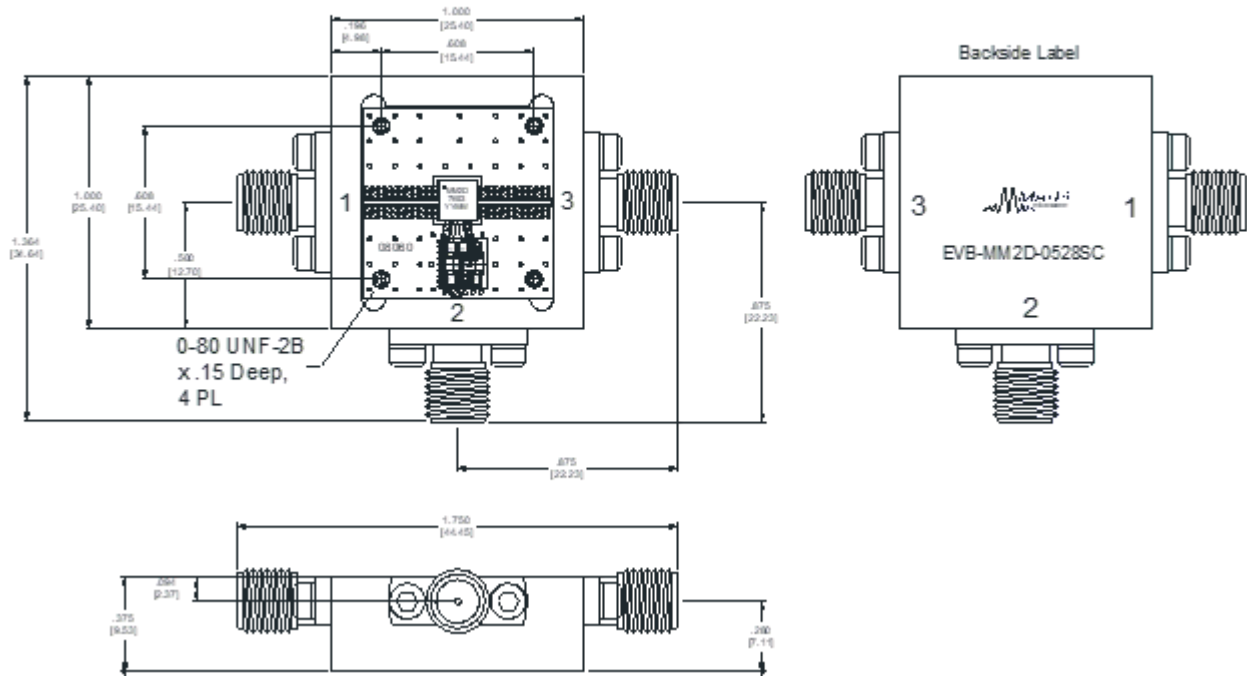
- **Evaluation Board**

- Evaluation Board Outline Drawing

Evaluation Board - Outline Drawing

Function	Configuration A Port Number	Configuration B Port Number	Connector Type
LO	1	3	2.50mm Female
IF	2	2	SMA Female
RF	3	1	2.50mm Female

Note: Connectors are in of mm available



EVB-MM2D-0528SC

Evaluation Board, GaAs MMIC 5-28 GHz

Differential IF Triple Balanced Mixer

DISCLAIMER

MARKI MICROWAVE, INC., ("MARKI") PROVIDES TECHNICAL SPECIFICATIONS AND DATA (INCLUDING DATASHEETS), APPLICATION OR OTHER DESIGN ADVICE, WEB TOOLS, AND OTHER INFORMATION AND RESOURCES "AS IS" AND WITH ALL FAULTS. MARKI DISCLAIMS ALL WARRANTIES, EXPRESS OR IMPLIED, INCLUDING, WITHOUT LIMITATION, ANY IMPLIED WARRANTIES OF MERCHANTABILITY, FITNESS FOR A PARTICULAR PURPOSE, OR NON-INFRINGEMENT. These resources are intended for developers skilled in the art designing with Marki products. You are solely responsible for (1) selecting the appropriate products for your application, (2) designing, validating, and testing your application, and (3) ensuring your application meets applicable standards and other requirements. Marki makes no guarantee regarding the suitability of its products for any particular purpose, nor does Marki assume any liability whatsoever arising out of your use or application of any Marki product.

Marki grants you permission to use these resources only for development of an application that uses Marki products. Other reproduction or use of these resources is strictly prohibited. No license is granted to any other Marki intellectual property or to any third-party intellectual property. Marki reserves the right to make changes to the product(s) or information contained herein without notice.

MARKI MICROWAVE and T3 MIXER are trademarks or registered trademarks of Marki Microwave, Inc. All other trademarks used are the property of their respective owners.

© 2022 - 2025, Marki Microwave, Inc