

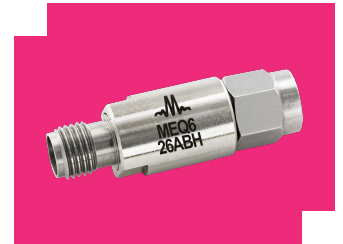
MEQ6-26ABH

Passive GaAs MMIC 6 dB DC to 26.5 GHz Equalizer

DEVICE OVERVIEW

General Description

The MEQ6-26ABH passive MMIC equalizer is an ideal solution for compensating for low pass filtering effects in RF/microwave and high speed digital systems. This equalizer provides positive slope from DC to 26.5 GHz with a DC attenuation value of 6 dB and a 50-ohm match maintained over the entire operating range. GaAs MMIC technology provides consistent unit-to-unit performance in a small, low cost form factor. The MEQ6-26ABH is available in a SMA connectorized housing. For wire-bondable die, refer to MEQ6-30ACH.



[Download s-parameters here](#)

Features

- DC Attenuation, 6 dB Typical
- Insertion Loss at 26.5 GHz, 0.9 dB Typical
- Return Loss, 26 dB Typical
- Bidirectional

Applications

- RF Transceivers
- High-Speed Data
- Telecom
- Cable Loss Compensation
- Amplifier Compensation

Functional Block Diagram



Part Ordering Options

Part Number	Description	Package	Connectors	Green Status	Product Lifecycle	Export Classification
MEQ6-26ABH	Passive GaAs MMIC 6 dB DC to 26.5 GHz Equalizer	BH	<u>Standard</u>	REACH RoHS	Released	EAR99

MEQ6-26ABH

Passive GaAs MMIC 6 dB DC to 26.5 GHz
Equalizer

Table Of Contents

- **Device Overview**
 - General Description
 - Features
 - Applications
 - Functional Block Diagram
- **Port Configuration and Functions**
 - Port Diagram
 - Port Functions
- **Revision History**
- **Specifications**
 - Absolute Maximum Ratings
 - Package Information
 - Electrical Specifications
 - Typical Performance Plot
- **Mechanical Data**
 - Outline Drawing

Revision History

Revision Code	Revision Date	Comment
-	2026-06-04	Initial Release

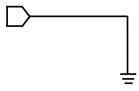
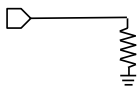
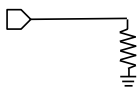
Port Configuration and Functions

Port Diagram

A top-down view of the MEQ6-26ABH package outline drawing is shown below.



Port Functions

Port	Function	Connector Type	Description	DC Equivalent Circuit
GND	Ground	-	BH package ground is provided through metal housing and outer coax conductor.	
Port 1	Input/Output	SMAF	Port 1 is DC connected to ground through a resistor. DC block is required if voltage present.	
Port 2	Input/Output	SMAM	Port 2 is DC connected to ground through a resistor. DC block is required if voltage present.	

MEQ6-26ABH

Passive GaAs MMIC 6 dB DC to 26.5 GHz
Equalizer

Specifications

Absolute Maximum Ratings

The Absolute Maximum Ratings indicate limits beyond which damage may occur to the device. If these limits are exceeded, the device may be inoperable or have a reduced lifetime.

Parameter	Maximum Rating	Unit
Maximum Operating Temperature	100	°C
Maximum Storage Temperature	125	°C
Minimum Operating Temperature	-55	°C
Minimum Storage Temperature	-65	°C
Port 1 DC Current	35	mA
Port 2 DC Current	35	mA
Power Handling, at any Port	30	dBm

Package Information

Parameter	Details	Rating
ESD	250 to < 500 Volts	HBM Class 1A
Weight	Package name: BH	9.2g
Dimensions	-	30.1 x 9.5 mm

MEQ6-26ABH

Passive GaAs MMIC 6 dB DC to 26.5 GHz
Equalizer

Electrical Specifications

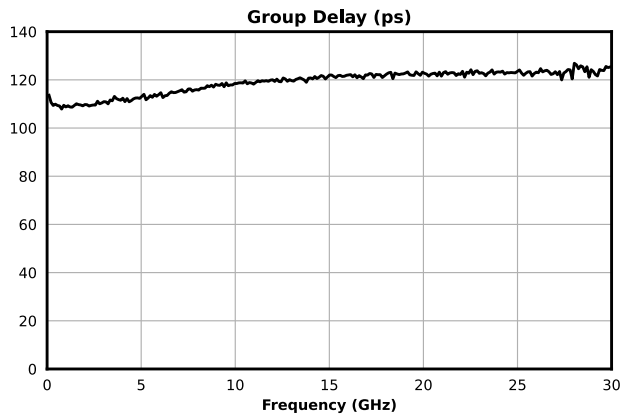
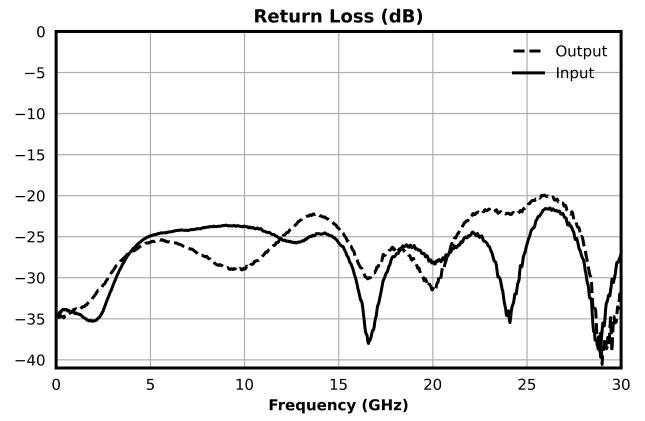
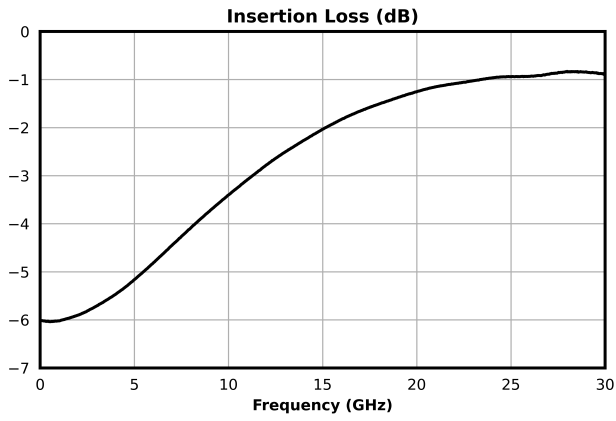
The electrical specifications apply at TA=+25°C in a 50Ω system. Typical data shown is for the equalizer in a BH package with a sine wave input applied to port 1. Min and Max limits are guaranteed at TA=+25°C.

Parameter	Test Conditions	Minimum Frequency (GHz)	Maximum Frequency (GHz)	Min	Typ	Max	Unit
Insertion Loss at DC	Temp = 25°C	0	0	-	6.0	-	dB
Insertion Loss	Temp = 25°C	13.25	13.25	-	2.5	-	dB
Insertion Loss	Temp = 25°C	26.5	26.5	-	0.9	-	dB
Equalization Value	Temp = 25°C	0	26.5	-	5.1	-	dB
Return Loss	Temp = 25°C	0	26.5	-	26	-	dB
Group Delay	Temp = 25°C	0	26.5	-	120	-	ps

MEQ6-26ABH

Passive GaAs MMIC 6 dB DC to 26.5 GHz
Equalizer

Typical Performance Plot



MEQ6-26ABH

Passive GaAs MMIC 6 dB DC to 26.5 GHz Equalizer


Mechanical Data

Outline Drawing

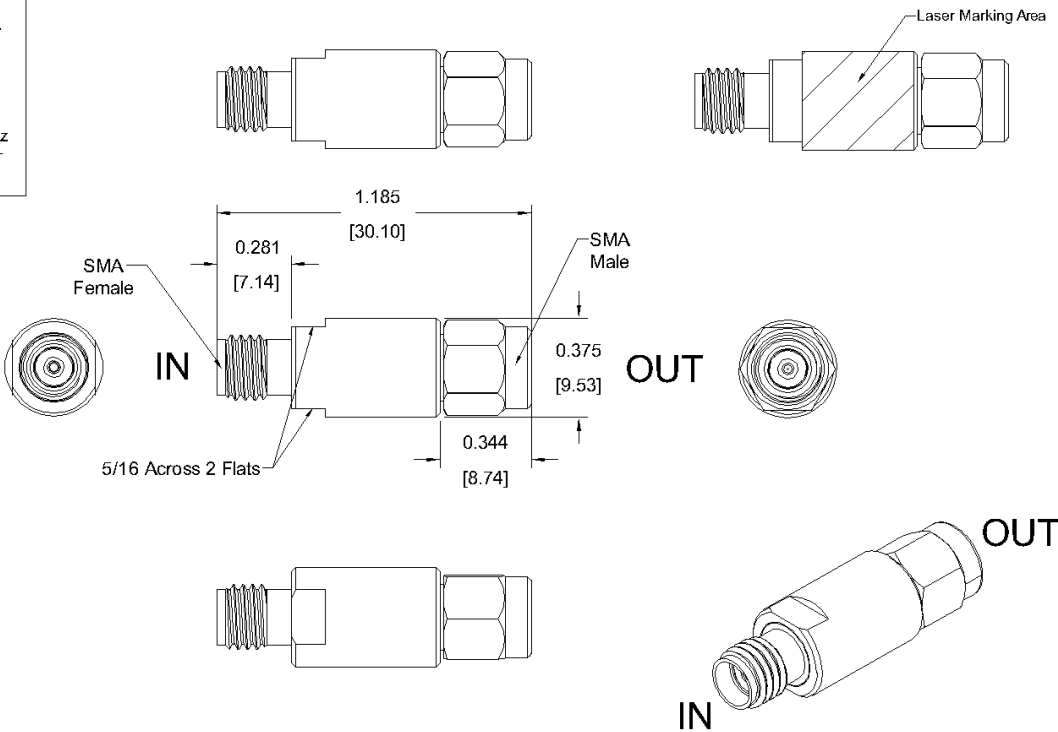
Download : [Outline 2D Drawing](#)

***All Dimensions are typical!**

Laser Marking on Part:



PROJECTION		REVISIONS			
INCH	[MM]	REV.	DESCRIPTION	DATE	APPROVALS
A			Initial Release	3/24/26	AT



Dimensions:
 Total length: 1.185 [30.10]
 SMA Female to start: 0.281 [7.14]
 SMA Male length: 0.375 [9.53]
 Distance from SMA Female to SMA Male: 0.344 [8.74]
 Flats: 5/16 Across 2 Flats

Port #	Setup	Ω	Connector Type
In	In to Gnd	TBD	SMA Female
Out	Out to Gnd	TBD	SMA Male
I to O	In to Out	TBD	SMA F-M

RoHS Compliant (SN96.5/AG3.5) Components/Assembly

Proprietary: This document was originated by and is the property of Marki Microwave. Unauthorized disclosure is prohibited.

NOTES:		Marki microwave www.markimicrowave.com		
DRAWN BY	DATE	Outline MEQ6-26ABH		
SK	3/4/2026			
OG	3/5/2026			
AN	3/5/2026	SIZE	CAGE CODE	DWG. NO.
DO NOT SCALE DRAWING		A	0UC32	MEQ6-26ABH
				SHEET 1 OF 1

DISCLAIMER

MARKI MICROWAVE, LLC., ("MARKI") PROVIDES TECHNICAL SPECIFICATIONS AND DATA (INCLUDING DATASHEETS), APPLICATION OR OTHER DESIGN ADVICE, WEB TOOLS, AND OTHER INFORMATION AND RESOURCES "AS IS" AND WITH ALL FAULTS. MARKI DISCLAIMS ALL WARRANTIES, EXPRESS OR IMPLIED, INCLUDING, WITHOUT LIMITATION, ANY IMPLIED WARRANTIES OF MERCHANTABILITY, FITNESS FOR A PARTICULAR PURPOSE, OR NON-INFRINGEMENT.

These resources are intended for developers skilled in the art designing with Marki products. You are solely responsible for (1) selecting the appropriate products for your application, (2) designing, validating, and testing your application, and (3) ensuring your application meets applicable standards and other requirements. Marki makes no guarantee regarding the suitability of its products for any particular purpose, nor does Marki assume any liability whatsoever arising out of your use or application of any Marki product.

Marki grants you permission to use these resources only for development of an application that uses Marki products. Other reproduction or use of these resources is strictly prohibited. No license is granted to any other Marki intellectual property or to any third-party intellectual property. Marki reserves the right to make changes to the product(s) or information contained herein without notice.

MARKI MICROWAVE and T3 MIXER are trademarks or registered trademarks of Marki Microwave, LLC. All other trademarks used are the property of their respective owners.

© 2026, Marki Microwave, LLC