

# EVB-ADM-8475P

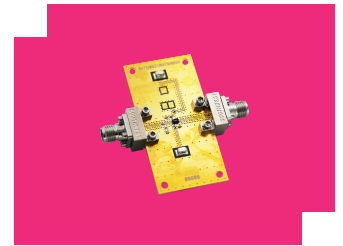
## Evaluation Board, 0.5 - 18 GHz High Dynamic Range Gain Block Amplifier

### DEVICE OVERVIEW

#### General Description

The EVB-ADM-8475P is a connectorized evaluation board for the ADM-8475PSM surface mount 0.5 - 18 GHz High Dynamic Range Gain Block Amplifier.

[Download s-parameters here](#)



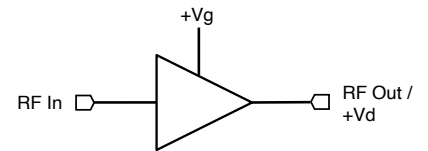
#### Features

N/A

#### Applications

N/A

#### Functional Block Diagram



#### Part Ordering Options

Part Number	Description	Package	Green Status	Product Lifecycle	Export Classification
<a href="#">ADM-8475PSM</a>	0.5 - 18 GHz High Dynamic Range Gain Block	DFN	REACH RoHS	Released	EAR99
EVB-ADM-8475P	Evaluation Board, 0.5 - 18 GHz High Dynamic Range Gain Block Amplifier	EVB	REACH RoHS	Released	EAR99



www.markimicrowave.com

## **EVB-ADM-8475P**

### **Evaluation Board, 0.5 - 18 GHz High Dynamic Range Gain Block Amplifier**

#### **Table Of Contents**

- **Device Overview**

- General Description
- Features
- Applications
- Functional Block Diagram

- **Specifications**

- Typical Performance Plots

- **Mechanical Data**

- Outline Drawing

- **Evaluation Board**

- Evaluation Board - Typical Performance Plots
- Evaluation Board Outline Drawing

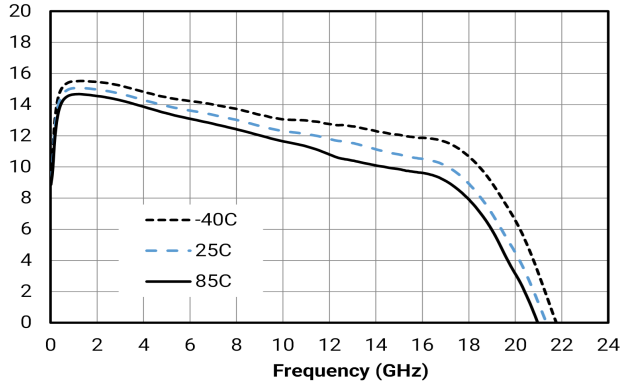
## EVB-ADM-8475P

Evaluation Board, 0.5 - 18 GHz High Dynamic Range Gain Block Amplifier

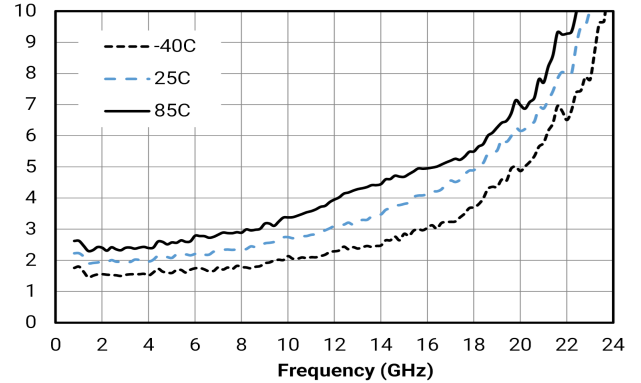
### Typical Performance Plots

Measurements are taken at the evaluation board connectors.

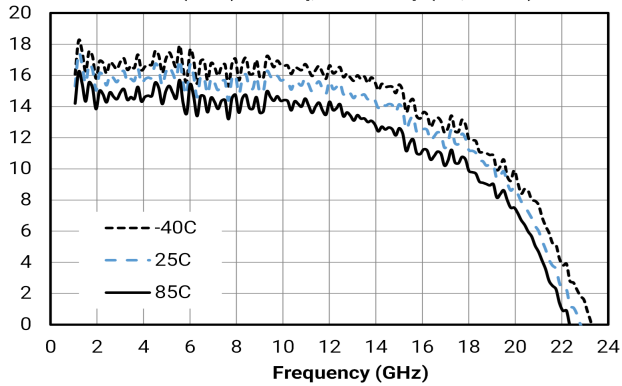
EVB Small Signal Gain (dB) vs Freq, Over Temp (Vd,Vb=5V)



EVB Noise Figure (dB) vs Freq, Over Temp (Vd,Vb=5V)



EVB P1dB (dBm) vs Freq, Over Temp (Vd,Vb=5V)

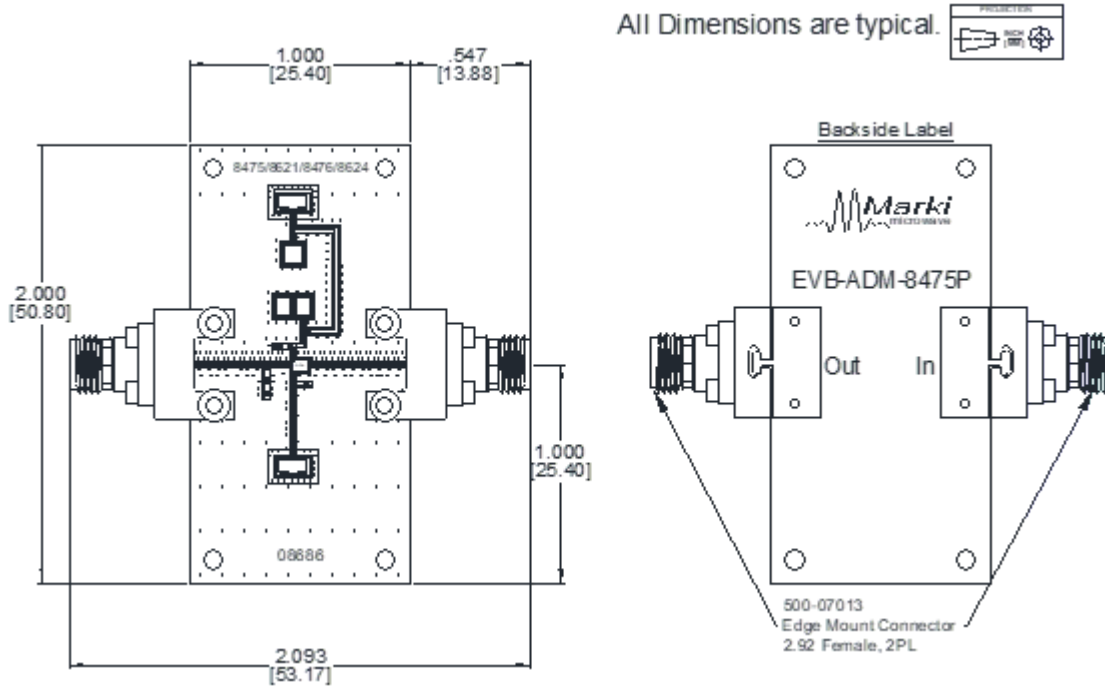


## EVB-ADM-8475P

Evaluation Board, 0.5 - 18 GHz High Dynamic Range Gain Block Amplifier

### Mechanical Data

### Outline Drawing

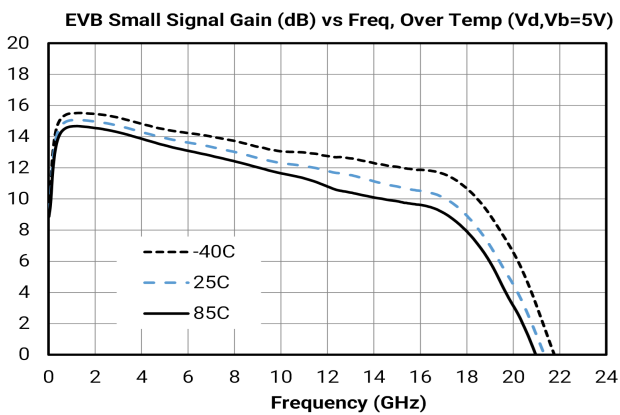
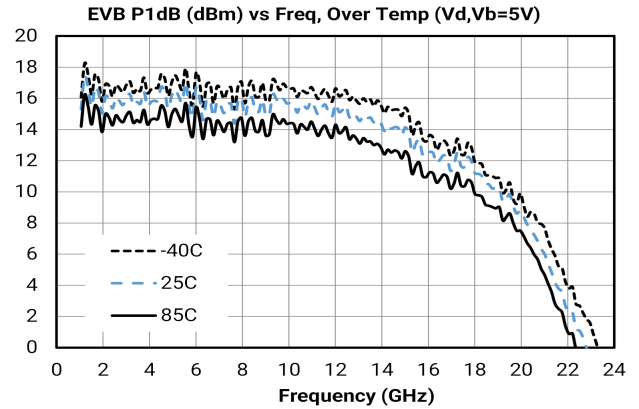
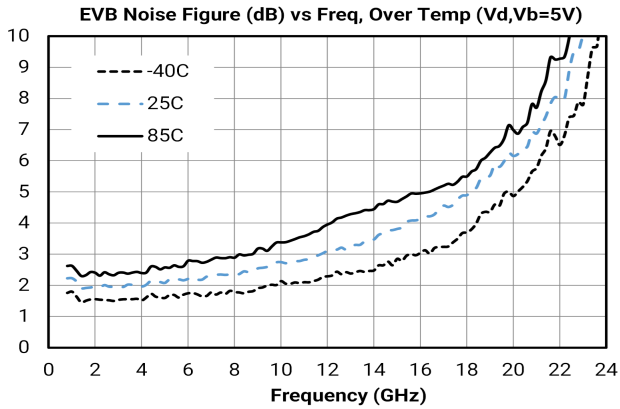


## EVB-ADM-8475P

Evaluation Board, 0.5 - 18 GHz High Dynamic Range Gain Block Amplifier

### Evaluation Board - Typical Performance Plots

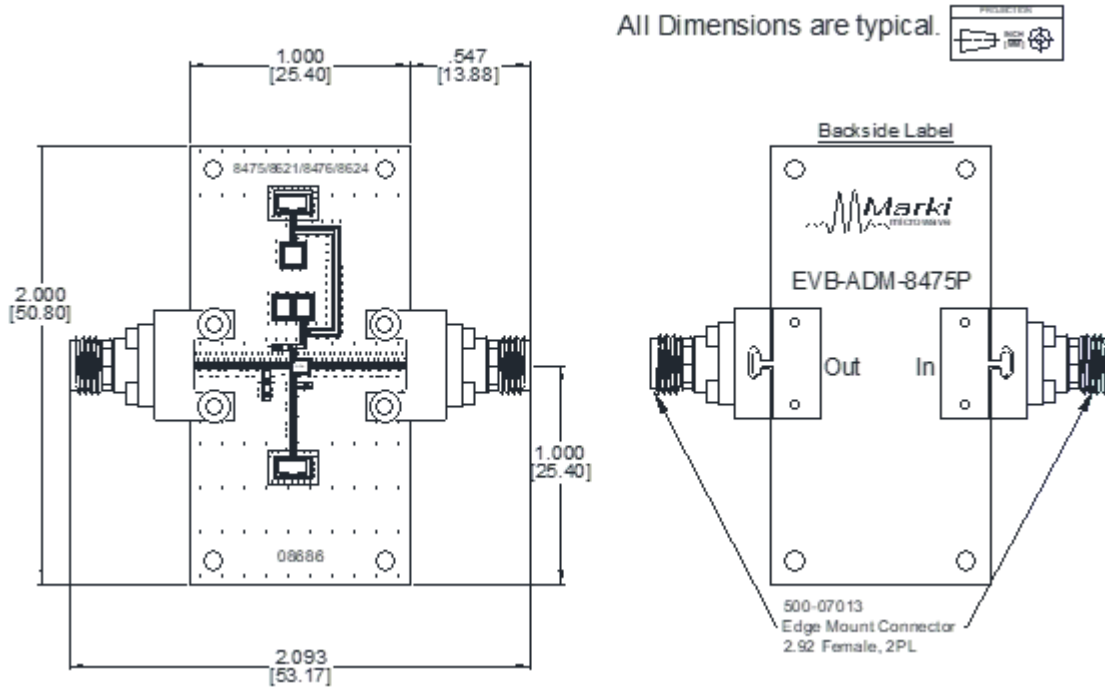
Measurements are taken at the evaluation board connectors.



## EVB-ADM-8475P

Evaluation Board, 0.5 - 18 GHz High Dynamic Range Gain Block Amplifier

### Evaluation Board - Outline Drawing



#### **DISCLAIMER**

MARKI MICROWAVE, INC., ("MARKI") PROVIDES TECHNICAL SPECIFICATIONS AND DATA (INCLUDING DATASHEETS), APPLICATION OR OTHER DESIGN ADVICE, WEB TOOLS, AND OTHER INFORMATION AND RESOURCES "AS IS" AND WITH ALL FAULTS. MARKI DISCLAIMS ALL WARRANTIES, EXPRESS OR IMPLIED, INCLUDING, WITHOUT LIMITATION, ANY IMPLIED WARRANTIES OF MERCHANTABILITY, FITNESS FOR A PARTICULAR PURPOSE, OR NON-INFRINGEMENT. These resources are intended for developers skilled in the art designing with Marki products. You are solely responsible for (1) selecting the appropriate products for your application, (2) designing, validating, and testing your application, and (3) ensuring your application meets applicable standards and other requirements. Marki makes no guarantee regarding the suitability of its products for any particular purpose, nor does Marki assume any liability whatsoever arising out of your use or application of any Marki product.

Marki grants you permission to use these resources only for development of an application that uses Marki products. Other reproduction or use of these resources is strictly prohibited. No license is granted to any other Marki intellectual property or to any third-party intellectual property. Marki reserves the right to make changes to the product(s) or information contained herein without notice.

MARKI MICROWAVE and T3 MIXER are trademarks or registered trademarks of Marki Microwave, Inc. All other trademarks used are the property of their respective owners.

© 2022 - 2025, Marki Microwave, Inc