

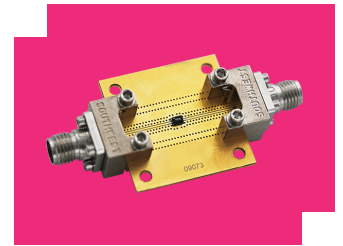
# EVB-ATN00-0040P

## Evaluation Board, 0dB DC-40 GHz Attenuator

### DEVICE OVERVIEW

#### General Description

The EVB-ATN00-0040P is a connectorized evaluation board for the ATN00-0040PSM DFN packaged surface mount DC-40GHz 0dB Attenuator.



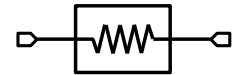
#### Features

N/A

#### Applications

- Test Equipment
- Precision Characterization
- High Channel Count Systems
- Amplitude Matching
- 5G transceivers

#### Functional Block Diagram



#### Part Ordering Options

Part Number	Description	Package	Green Status	Product Lifecycle	Export Classification
<u>ATN00-0040PSM</u>	0dB DC-40GHz MMIC Attenuator	DFN	RoHS REACH	Released	EAR99
EVB-ATN00-0040P	Evaluation Board, 0dB DC-40 GHz Attenuator	EVB	REACH RoHS	Released	EAR99

## Table Of Contents

### ■ Device Overview

- General Description
- Features
- Applications
- Functional Block Diagram

### ■ Revision History

### ■ Specifications

### ■ Mechanical Data

- Outline Drawing

### ■ Evaluation Board

- Evaluation Board Outline Drawing

## Revision History

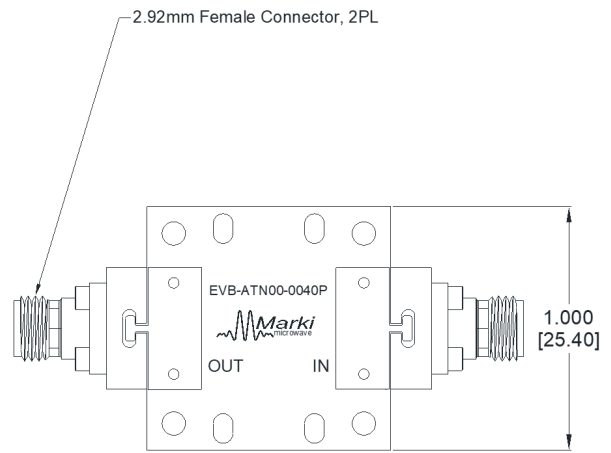
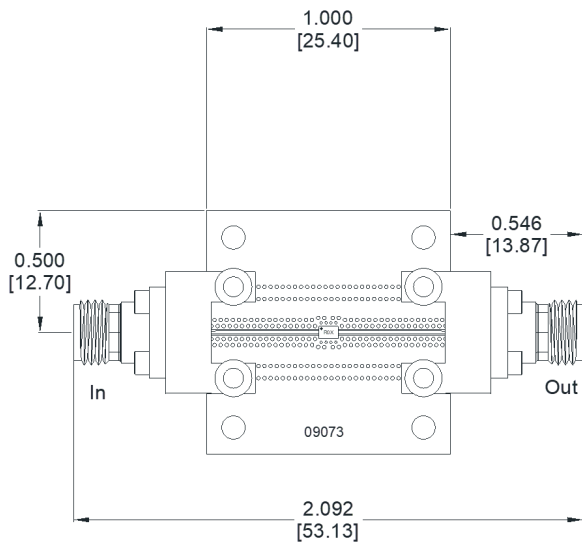
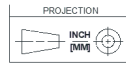
Revision Code	Revision Date	Comment
-	2023-10-30	Datasheet Initial Release

**Mechanical Data**

**Outline Drawing**

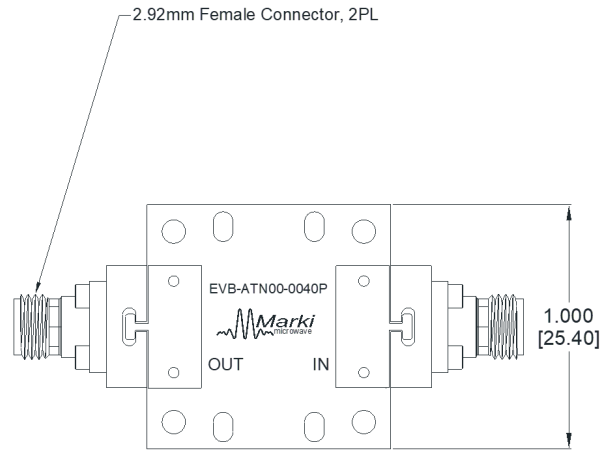
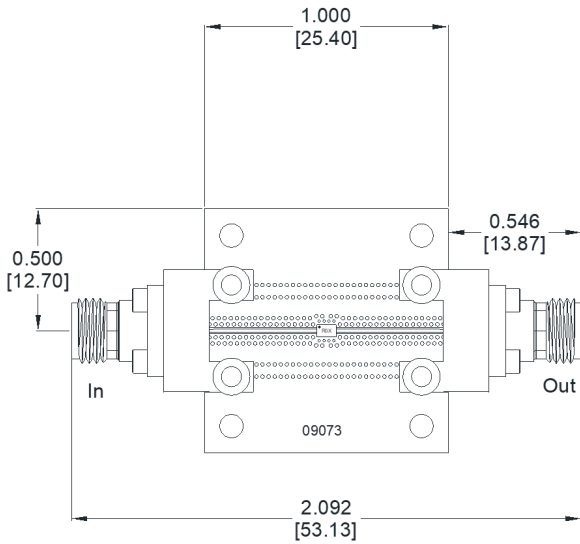
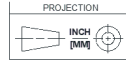
Download : [Outline 2D Drawing](#)

All measurements are typical



**Evaluation Board - Outline Drawing**

All measurements are typical



**DISCLAIMER**

MARKI MICROWAVE, INC., ("MARKI") PROVIDES TECHNICAL SPECIFICATIONS AND DATA (INCLUDING DATASHEETS), APPLICATION OR OTHER DESIGN ADVICE, WEB TOOLS, AND OTHER INFORMATION AND RESOURCES "AS IS" AND WITH ALL FAULTS. MARKI DISCLAIMS ALL WARRANTIES, EXPRESS OR IMPLIED, INCLUDING, WITHOUT LIMITATION, ANY IMPLIED WARRANTIES OF MERCHANTABILITY, FITNESS FOR A PARTICULAR PURPOSE, OR NON-INFRINGEMENT.

These resources are intended for developers skilled in the art designing with Marki products. You are solely responsible for (1) selecting the appropriate products for your application, (2) designing, validating, and testing your application, and (3) ensuring your application meets applicable standards and other requirements. Marki makes no guarantee regarding the suitability of its products for any particular purpose, nor does Marki assume any liability whatsoever arising out of your use or application of any Marki product.

Marki grants you permission to use these resources only for development of an application that uses Marki products. Other reproduction or use of these resources is strictly prohibited. No license is granted to any other Marki intellectual property or to any third-party intellectual property. Marki reserves the right to make changes to the product(s) or information contained herein without notice.

MARKI MICROWAVE and T3 MIXER are trademarks or registered trademarks of Marki Microwave, Inc. All other trademarks used are the property of their respective owners.

© 2023, Marki Microwave, Inc