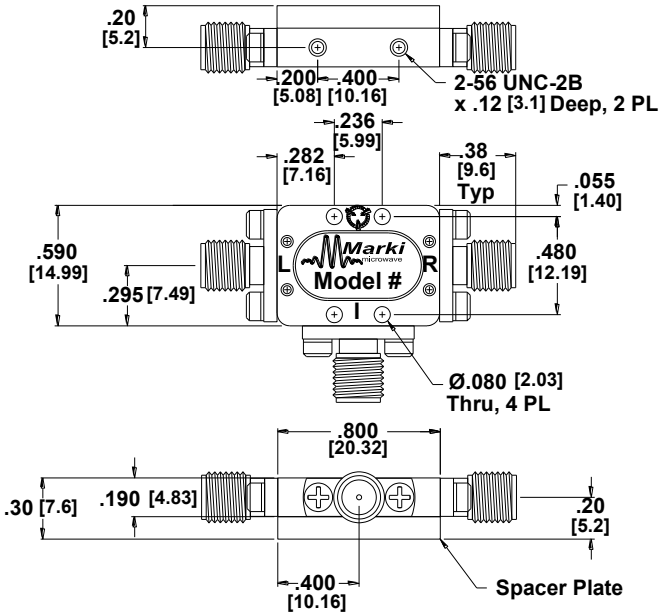


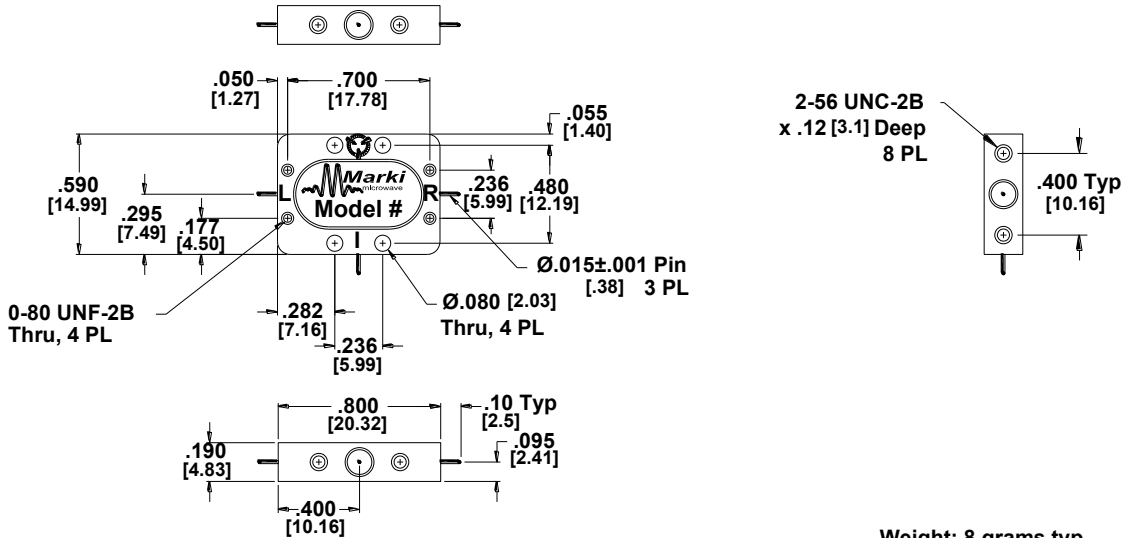


215 Vineyard Court, Morgan Hill, CA 95037  
 PHONE (408) 778-4200 FAX (408) 778-4300  
 Website: MarkiMicrowave.com



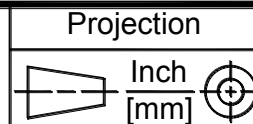
Port	Connector	Models >26.5 GHz
LO	SMA Female	2.92 mm Female
RF	SMA Female	2.92 mm Female
IF	SMA Female	SMA Female

Weight: 15 grams typ



Weight: 8 grams typ

## A-Style Mixer Outline



XXX=±.005  
 XX=±.02