

EVAL-HLM-20P

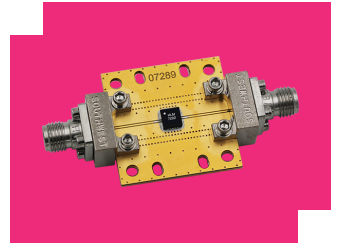
Evaluation Board, High Power DC - 20GHz Limiter

DEVICE OVERVIEW

General Description

The EVAL-HLM-20P is a connectorized evaluation board for the HLM-20PSM DC-40 GHz surface mount amplifier.

[Download s-parameters here](#)



Features

- Low 0.7dB loss at 10 GHz
- 50W Peak Power (pulsed), 5W CW
- +13 to +17 dBm Flat Leakage @ 1W CW
- Typical P1dB of +15dBm
- Small signal S2P data available

Applications

- RF Transceivers
- Test and Measurement Equipment
- SATCOM

Functional Block Diagram



Part Ordering Options

Part Number	Description	Package	Green Status	Product Lifecycle	Export Classification
HLM-20PSM	High Power DC - 20GHz Limiter	QFN	REACH RoHS	Released	EAR99
EVAL-HLM-20P	Evaluation Board, High Power DC - 20GHz Limiter	EVAL	REACH RoHS	Released	EAR99

EVAL-HLM-20P

Evaluation Board, High Power DC - 20GHz Limiter

Table Of Contents

- **Device Overview**

- General Description

- Features

- Applications

- Functional Block Diagram

- **Specifications**

- Package Information

- **Mechanical Data**

- Outline Drawing

- **Evaluation Board**

- Evaluation Board Outline Drawing

EVAL-HLM-20P

Evaluation Board, High Power DC - 20GHz Limiter

Specifications

Package Information

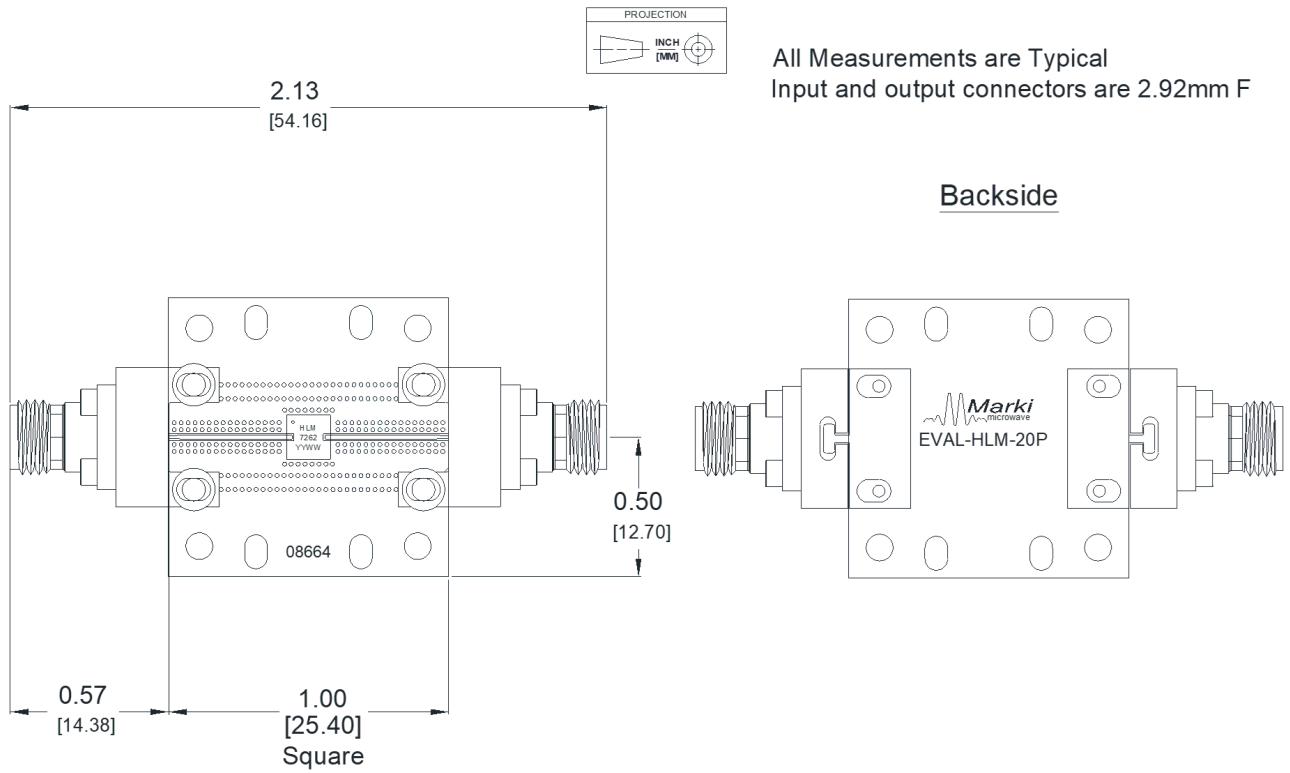
Parameter	Details	Rating
Weight	Package name: EVAL	23.5g

EVAL-HLM-20P

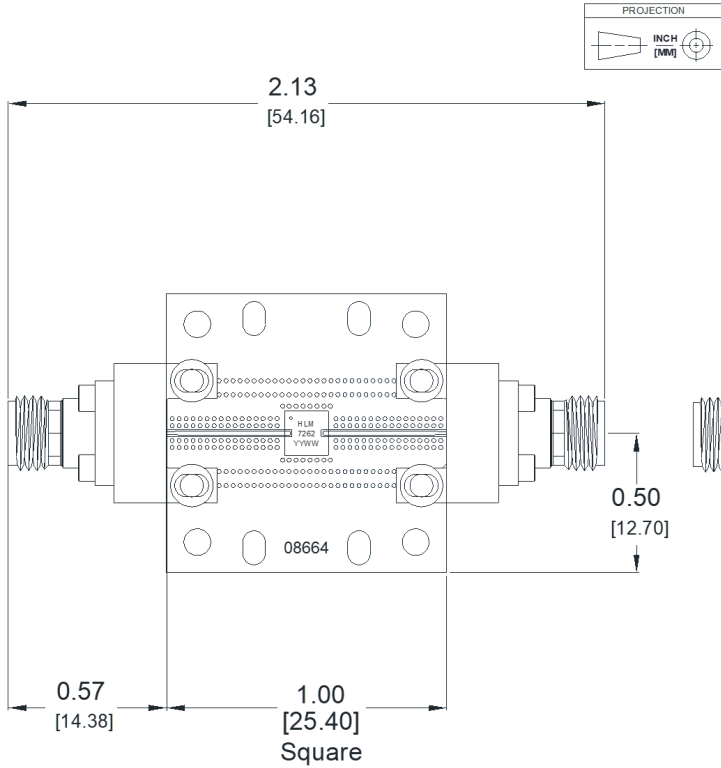
Evaluation Board, High Power DC - 20GHz Limiter

Mechanical Data

Outline Drawing

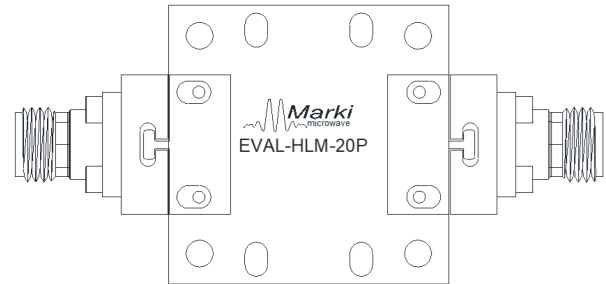


Evaluation Board - Outline Drawing



All Measurements are Typical
Input and output connectors are 2.92mm F

Backside



DISCLAIMER

MARKI MICROWAVE, INC., ("MARKI") PROVIDES TECHNICAL SPECIFICATIONS AND DATA (INCLUDING DATASHEETS), APPLICATION OR OTHER DESIGN ADVICE, WEB TOOLS, AND OTHER INFORMATION AND RESOURCES "AS IS" AND WITH ALL FAULTS. MARKI DISCLAIMS ALL WARRANTIES, EXPRESS OR IMPLIED, INCLUDING, WITHOUT LIMITATION, ANY IMPLIED WARRANTIES OF MERCHANTABILITY, FITNESS FOR A PARTICULAR PURPOSE, OR NON-INFRINGEMENT. These resources are intended for developers skilled in the art designing with Marki products. You are solely responsible for (1) selecting the appropriate products for your application, (2) designing, validating, and testing your application, and (3) ensuring your application meets applicable standards and other requirements. Marki makes no guarantee regarding the suitability of its products for any particular purpose, nor does Marki assume any liability whatsoever arising out of your use or application of any Marki product.

Marki grants you permission to use these resources only for development of an application that uses Marki products. Other reproduction or use of these resources is strictly prohibited. No license is granted to any other Marki intellectual property or to any third-party intellectual property. Marki reserves the right to make changes to the product(s) or information contained herein without notice.

MARKI MICROWAVE and T3 MIXER are trademarks or registered trademarks of Marki Microwave, Inc. All other trademarks used are the property of their respective owners.

© 2022 - 2025, Marki Microwave, Inc