

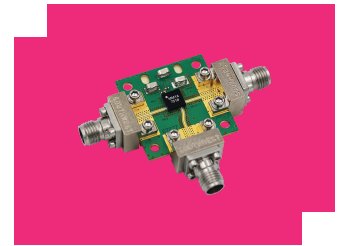
EVB-MM1A-0622HP

Evaluation Board, Double Balanced Mixer/LO Amplifier

DEVICE OVERVIEW

General Description

The EVB-MM1A-0622HP is a connectorized evaluation board for the MM1A-0622HPSM passive MMIC Surface mount 6 - 22 GHz Double Balanced Mixer.



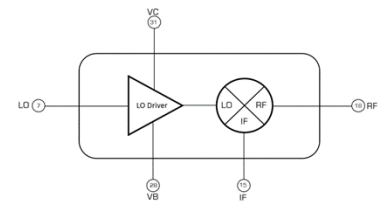
Features

N/A

Applications

N/A

Functional Block Diagram



Part Ordering Options

| Part Number | Description | Package | Green Status | Product Lifecycle | Export Classification |
|-----------------|--|---------|---------------|-------------------|-----------------------|
| MM1A-0622HPSM-2 | Double Balanced Mixer/LO Amplifier | QFN | REACH RoHS | Released | EAR99 |
| EVB-MM1A-0622HP | Evaluation Board, Double Balanced Mixer/LO Amplifier | EVB | REACH RoHS | Released | EAR99 |



www.markimicrowave.com

EVB-MM1A-0622HP

Evaluation Board, Double Balanced Mixer/LO Amplifier

Table Of Contents

- **Device Overview**

- General Description
- Features
- Applications
- Functional Block Diagram

- **Specifications**

- **Mechanical Data**

- Outline Drawing

- **Evaluation Board**

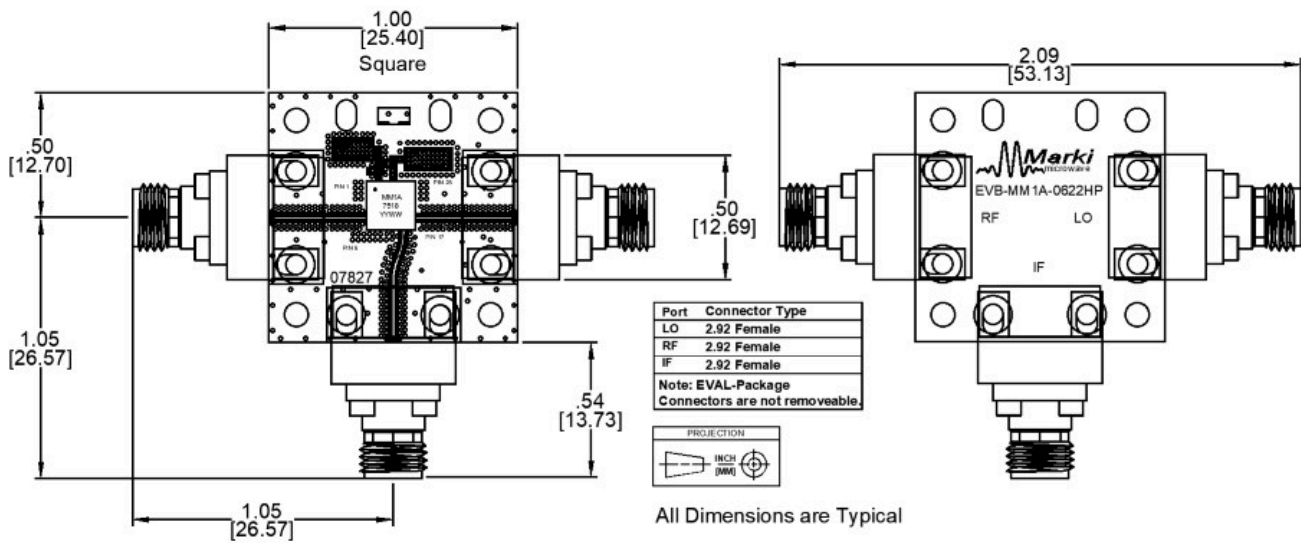
- Evaluation Board Outline Drawing

EVB-MM1A-0622HP

Evaluation Board, Double Balanced Mixer/LO Amplifier

Mechanical Data

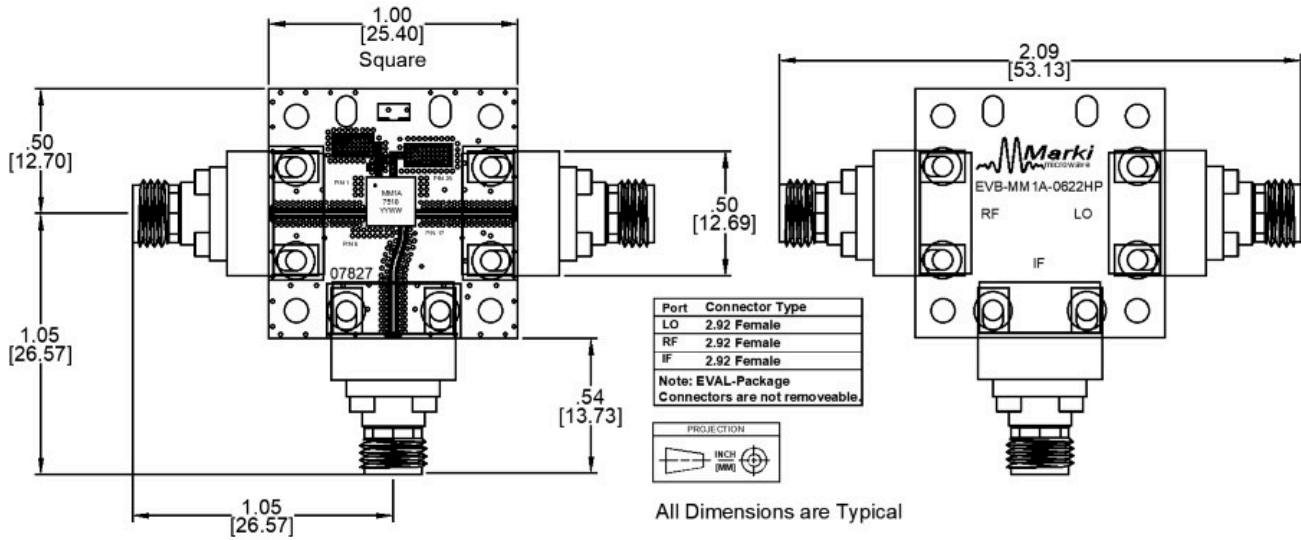
Outline Drawing



EVB-MM1A-0622HP

Evaluation Board, Double Balanced Mixer/LO Amplifier

Evaluation Board - Outline Drawing



EVB-MM1A-0622HP

Evaluation Board, Double Balanced Mixer/LO Amplifier

DISCLAIMER

MARKI MICROWAVE, INC., ("MARKI") PROVIDES TECHNICAL SPECIFICATIONS AND DATA (INCLUDING DATASHEETS), APPLICATION OR OTHER DESIGN ADVICE, WEB TOOLS, AND OTHER INFORMATION AND RESOURCES "AS IS" AND WITH ALL FAULTS. MARKI DISCLAIMS ALL WARRANTIES, EXPRESS OR IMPLIED, INCLUDING, WITHOUT LIMITATION, ANY IMPLIED WARRANTIES OF MERCHANTABILITY, FITNESS FOR A PARTICULAR PURPOSE, OR NON-INFRINGEMENT. These resources are intended for developers skilled in the art designing with Marki products. You are solely responsible for (1) selecting the appropriate products for your application, (2) designing, validating, and testing your application, and (3) ensuring your application meets applicable standards and other requirements. Marki makes no guarantee regarding the suitability of its products for any particular purpose, nor does Marki assume any liability whatsoever arising out of your use or application of any Marki product.

Marki grants you permission to use these resources only for development of an application that uses Marki products. Other reproduction or use of these resources is strictly prohibited. No license is granted to any other Marki intellectual property or to any third-party intellectual property. Marki reserves the right to make changes to the product(s) or information contained herein without notice.

MARKI MICROWAVE and T3 MIXER are trademarks or registered trademarks of Marki Microwave, Inc. All other trademarks used are the property of their respective owners.

© 2022 - 2025, Marki Microwave, Inc