

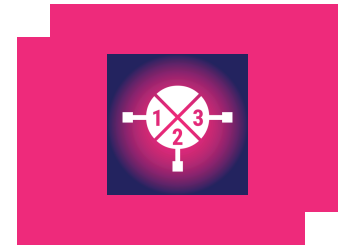
# EVB-MT3A-0113HC

## Evaluation Board, Two-Tone-Terminator 1.5 - 13 GHz Mixer.

### DEVICE OVERVIEW

#### General Description

The EVB-MT3A-0113HC is a connectorized evaluation board for the MT3A-0113HCSM Two-Tone-Terminator surface mount 1.5 - 13 GHz Mixer.



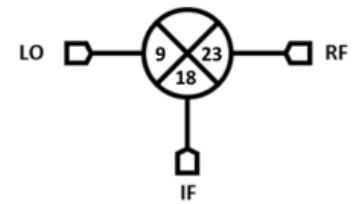
#### Features

N/A

#### Applications

N/A

#### Functional Block Diagram



#### Part Ordering Options

Part Number	Description	Package	Green Status	Product Lifecycle	Export Classification
<a href="#">MT3A-0113HCSM</a>	Two-Tone-Terminator Mixer/LO Amplifier	QFN	REACH RoHS	Released	EAR99
EVB-MT3A-0113HC	Evaluation Board, Two-Tone-Terminator 1.5 - 13 GHz Mixer.	EVB	Non-RoHS	Released	EAR99



www.markimicrowave.com

## **EVB-MT3A-0113HC**

**Evaluation Board, Two-Tone-Terminator 1.5 - 13 GHz Mixer.**

### **Table Of Contents**

- **Device Overview**

- General Description
- Features
- Applications
- Functional Block Diagram

- **Specifications**

- Package Information

- **Operation**

- Application Circuit

- **Mechanical Data**

- Outline Drawing

- **Evaluation Board**

- Evaluation Board Outline Drawing
- Evaluation Board - Application Circuit

## **EVB-MT3A-0113HC**

**Evaluation Board, Two-Tone-Terminator 1.5 - 13 GHz Mixer.**

### **Specifications**

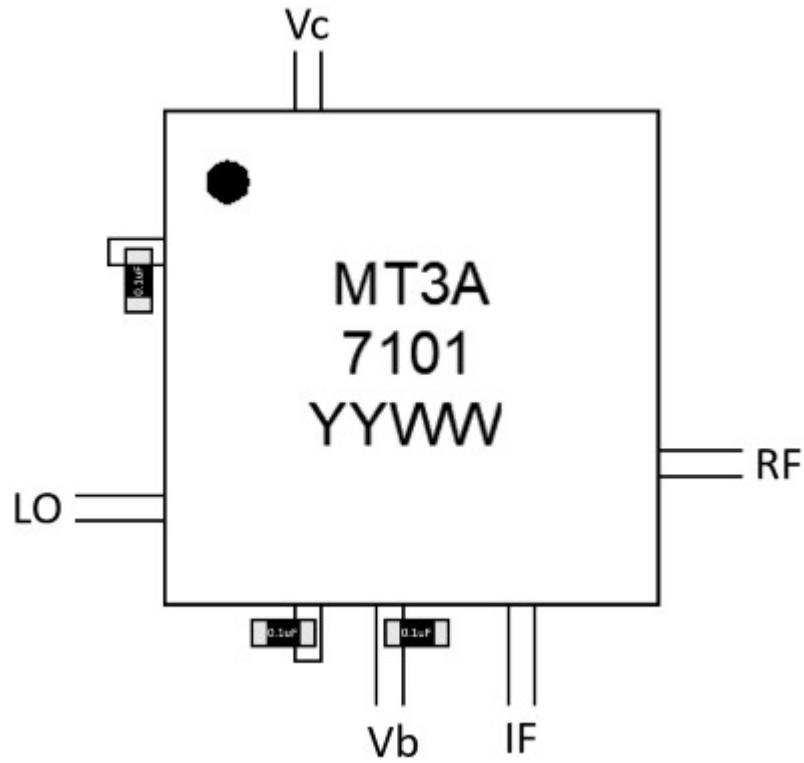
#### **Package Information**

<b>Parameter</b>	<b>Details</b>	<b>Rating</b>
Weight	Package name: EVB	33g

## EVb-MT3A-0113HC

Evaluation Board, Two-Tone-Terminator 1.5 - 13  
GHz Mixer.

### Application Circuit

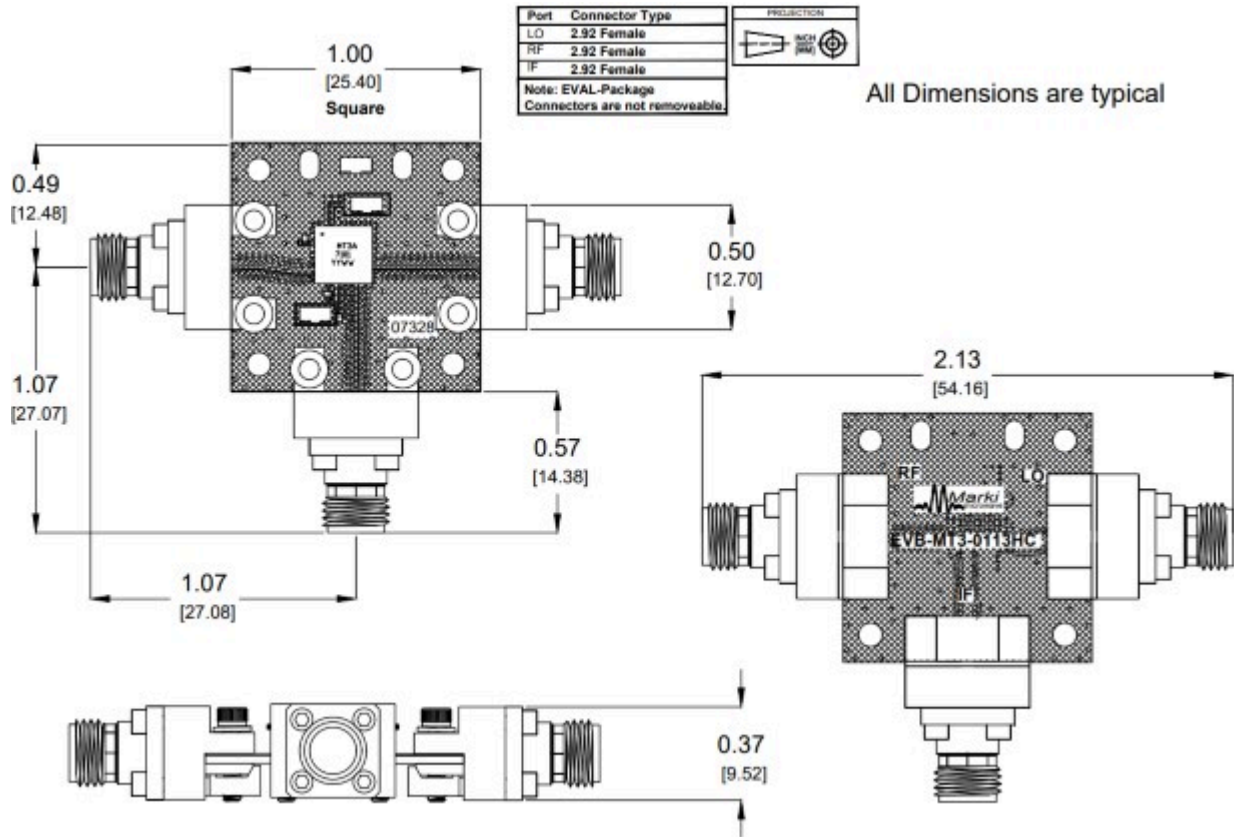


## EVB-MT3A-0113HC

Evaluation Board, Two-Tone-Terminator 1.5 - 13 GHz Mixer.

### Mechanical Data

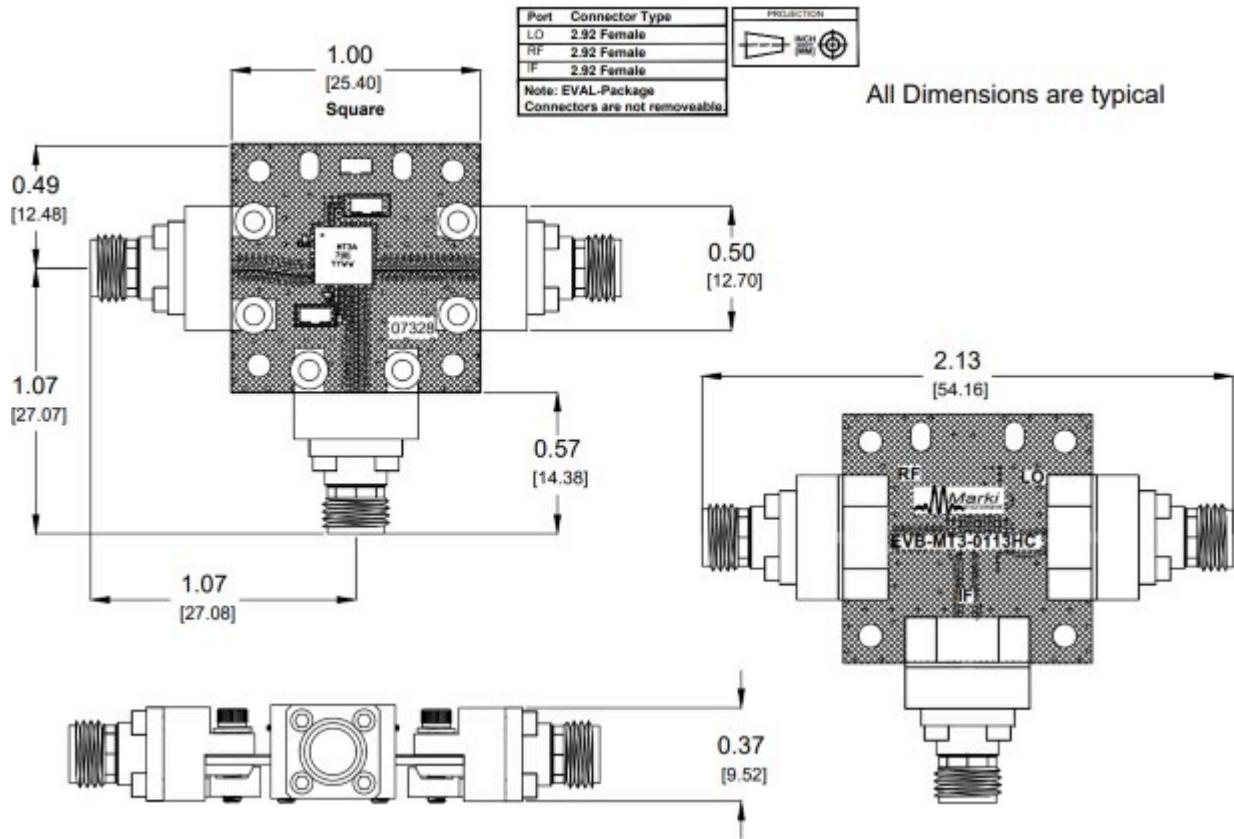
### Outline Drawing



## EVB-MT3A-0113HC

Evaluation Board, Two-Tone-Terminator 1.5 - 13 GHz Mixer.

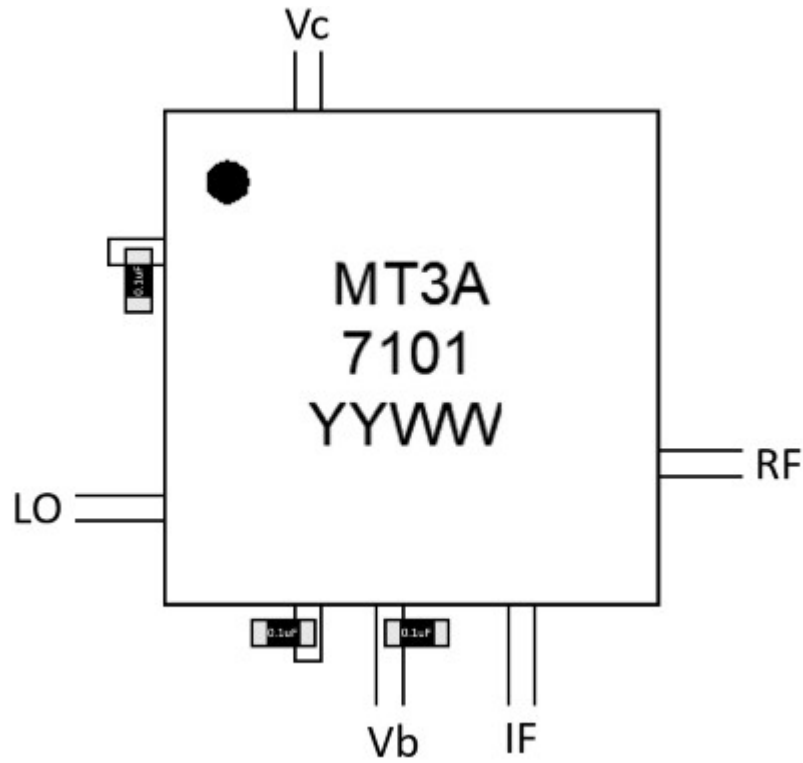
### Evaluation Board - Outline Drawing



## **EVB-MT3A-0113HC**

**Evaluation Board, Two-Tone-Terminator 1.5 - 13  
GHz Mixer.**

### **Evaluation Board - Application Circuit**



## **EVB-MT3A-0113HC**

**Evaluation Board, Two-Tone-Terminator 1.5 - 13 GHz Mixer.**

### **DISCLAIMER**

MARKI MICROWAVE, INC., ("MARKI") PROVIDES TECHNICAL SPECIFICATIONS AND DATA (INCLUDING DATASHEETS), APPLICATION OR OTHER DESIGN ADVICE, WEB TOOLS, AND OTHER INFORMATION AND RESOURCES "AS IS" AND WITH ALL FAULTS. MARKI DISCLAIMS ALL WARRANTIES, EXPRESS OR IMPLIED, INCLUDING, WITHOUT LIMITATION, ANY IMPLIED WARRANTIES OF MERCHANTABILITY, FITNESS FOR A PARTICULAR PURPOSE, OR NON-INFRINGEMENT. These resources are intended for developers skilled in the art designing with Marki products. You are solely responsible for (1) selecting the appropriate products for your application, (2) designing, validating, and testing your application, and (3) ensuring your application meets applicable standards and other requirements. Marki makes no guarantee regarding the suitability of its products for any particular purpose, nor does Marki assume any liability whatsoever arising out of your use or application of any Marki product.

Marki grants you permission to use these resources only for development of an application that uses Marki products. Other reproduction or use of these resources is strictly prohibited. No license is granted to any other Marki intellectual property or to any third-party intellectual property. Marki reserves the right to make changes to the product(s) or information contained herein without notice.

MARKI MICROWAVE and T3 MIXER are trademarks or registered trademarks of Marki Microwave, Inc. All other trademarks used are the property of their respective owners.

© 2022 - 2025, Marki Microwave, Inc