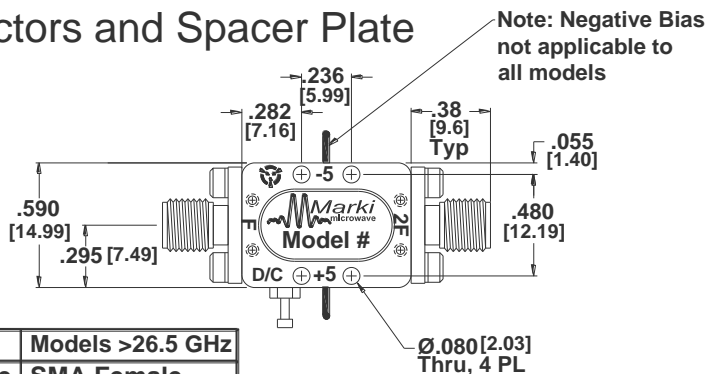




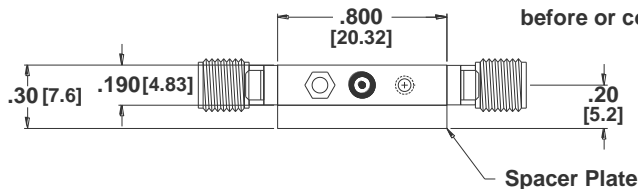
215 Vineyard Court, Morgan Hill, CA 95037
 PHONE (408) 778-4200 FAX (408) 778-4300
 Website: MarkiMicrowave.com

With Connectors and Spacer Plate



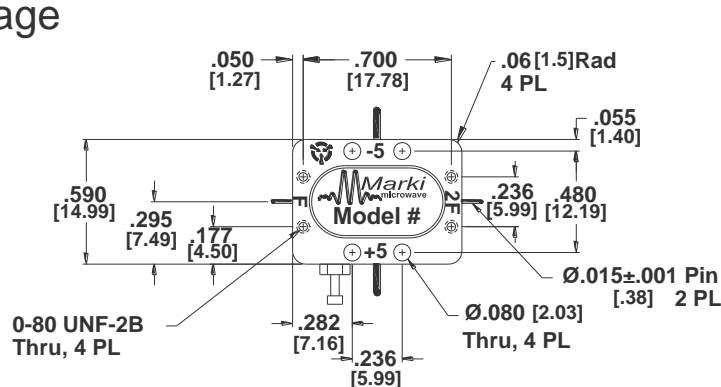
| Port | Connector | Models >26.5 GHz |
|------|------------|------------------|
| F | SMA Female | SMA Female |
| 2F | SMA Female | 2.92 mm Female |

It is recommended that the negative bias be applied before or concurrent with the positive bias.

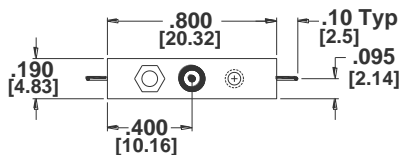
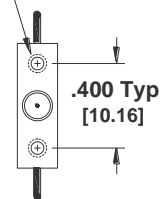


Weight: 15 grams typ

Pin-Package

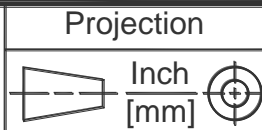


2-56 UNC-2B
 x .12 Deep
 4 PL



Weight: 8 grams typ

A-Style Amplified Doubler Outline



XXX=±.005
 XX=±.02