

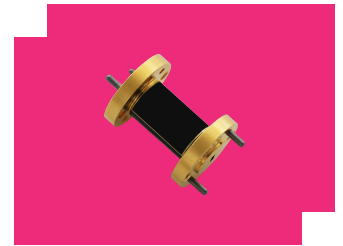
ATN25-12FH00WG

1" HP WR-12 25 dB Attenuator

DEVICE OVERVIEW

General Description

1" High Power WR-12 25 dB Fixed Attenuators, operating from 60-90 GHz, are built with high precision and gold plated for high corrosion resistance. They have great VSWR and accurate attenuation.



Features

- Power Handling 10 W
- Length = 1 in.
- UG-387/U Flange

Applications

- 5G
- Frequency Extenders
- Communication Systems

Functional Block Diagram

N/A

Part Ordering Options

Part Number	Description	Package	Green Status	Product Lifecycle	Export Classification
ATN25-12FH00WG	1" HP WR-12 25 dB Attenuator	WR-12	REACH RoHS	Released	EAR99

Table Of Contents

- **Device Overview**
 - General Description
 - Features
 - Applications
- **Port Configuration and Functions**
 - Port Functions
- **Revision History**
- **Specifications**
 - Absolute Maximum Ratings
 - Package Information
 - Electrical Specifications
- **Mechanical Data**
 - Outline Drawing

Revision History

Revision Code	Revision Date	Comment
-	2024-05-01	Initial Release

Port Configuration and Functions

Port Functions

Port	Function	Connector Type	Description	Equivalent Circuit for Package
Port 1	RF Input / Output	-	RF input/output.	-
Port 2	RF Input / Output	-	RF input/output.	-

Specifications

Absolute Maximum Ratings

Parameter	Maximum Rating	Unit
Power Handling	10	W

Package Information

Parameter	Details	Rating
Dimensions	-	L = 1 in.

Electrical Specifications

Parameter	Test Conditions	Minimum Frequency (GHz)	Maximum Frequency (GHz)	Min	Typ	Max	Unit
Attenuation	-	60	90	-	25	-	-
Return Loss	-	60	90	-	10	-	dB

Mechanical Data

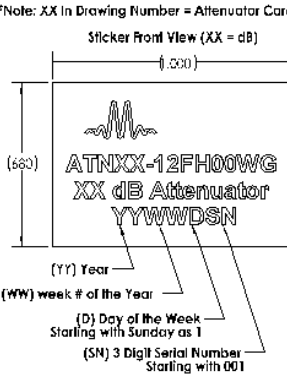
Outline Drawing

Download : [Outline 2D Drawing](#) | [Outline 3D STP](#)

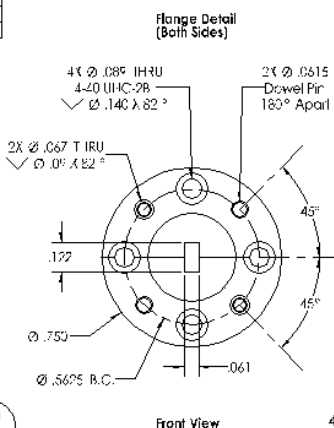
PART NUMBER	DESCRIPTION	REVISIONS			
ATN00-12FH00WG	1 HIGH POWER WR-12 FIXED ATTN	REV	DESCRIPTION	DATE	APPROVED
ATN05-12FH00WG	1 HIGH POWER WR-12 FIXED ATTN	1	INITIALS	12/22	CF
ATN06-12FH00WG	1 HIGH POWER WR-12 FIXED ATTN				
ATN10-12FH00WG	1 HIGH POWER WR-12 FIXED ATTN				
ATN15-12FH00WG	1 HIGH POWER WR-12 FIXED ATTN				
ATN20-12FH00WG	1 HIGH POWER WR-12 FIXED ATTN				
ATN25-12FH00WG	1 HIGH POWER WR-12 FIXED ATTN				
ATN30-12FH00WG	1 HIGH POWER WR-12 FIXED ATTN				

Note: XX in Drawing Number = Attenuator Card Tune

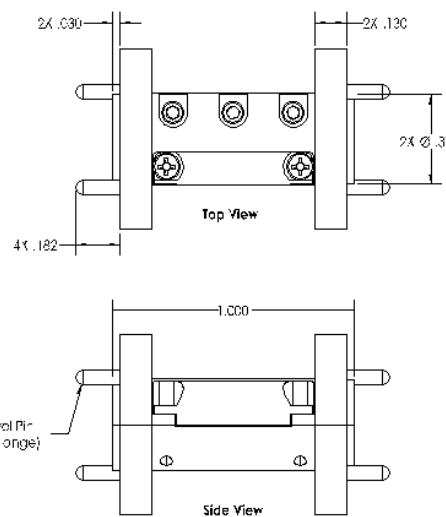
Sticker Front View (XX = dB)



Flange Detail (Both Sides)



Front View



Top View

Side View

NOTES: UNLESS OTHERWISE SPECIFIED

- Block Material: Half Hard Brass
- Finish: 100 microinches bright nickel, 10 microinches gold

<small>UNLESS OTHERWISE SPECIFIED, DIMENSIONS ARE IN INCHES AND DECIMALS THEREOF.</small>	<small>ALL DIMENSIONS UNLESS OTHERWISE SPECIFIED ARE TO BE TAKEN FROM THE UNFINISHED SURFACE.</small>	<small>ALL DIMENSIONS UNLESS OTHERWISE SPECIFIED ARE TO BE TAKEN FROM THE UNFINISHED SURFACE.</small>	<small>ALL DIMENSIONS UNLESS OTHERWISE SPECIFIED ARE TO BE TAKEN FROM THE UNFINISHED SURFACE.</small>	<small>ALL DIMENSIONS UNLESS OTHERWISE SPECIFIED ARE TO BE TAKEN FROM THE UNFINISHED SURFACE.</small>																
<table border="1" style="width:100%; border-collapse: collapse;"> <tr> <td style="width: 50%;">DESIGNED BY</td> <td style="width: 50%;">DATE</td> </tr> <tr> <td>CK</td> <td>12/21/2023</td> </tr> <tr> <td>CHECKED</td> <td></td> </tr> </table>		DESIGNED BY	DATE	CK	12/21/2023	CHECKED		<table border="1" style="width:100%; border-collapse: collapse;"> <tr> <td colspan="2" style="text-align: center;">Marki www.markimicrowave.com</td> </tr> <tr> <td colspan="2" style="text-align: center;">Outline, Waveguide High Power Fixed Attenuator, WR-12</td> </tr> <tr> <td>SIZE</td> <td>DATE TO BE</td> </tr> <tr> <td>B</td> <td>0UC32</td> </tr> <tr> <td colspan="2">DRAWN BY: ATNXX-12FH00WG-OUT</td> </tr> </table>			Marki www.markimicrowave.com		Outline, Waveguide High Power Fixed Attenuator, WR-12		SIZE	DATE TO BE	B	0UC32	DRAWN BY: ATNXX-12FH00WG-OUT	
DESIGNED BY	DATE																			
CK	12/21/2023																			
CHECKED																				
Marki www.markimicrowave.com																				
Outline, Waveguide High Power Fixed Attenuator, WR-12																				
SIZE	DATE TO BE																			
B	0UC32																			
DRAWN BY: ATNXX-12FH00WG-OUT																				
<small>PROPERTY: This document was originated by and is the property of Marki Microwave. Manufacture disclosure is prohibited.</small>		<small>SCALE: 1/16" = 1"</small>																		

DISCLAIMER

MARKI MICROWAVE, INC., ("MARKI") PROVIDES TECHNICAL SPECIFICATIONS AND DATA (INCLUDING DATASHEETS), APPLICATION OR OTHER DESIGN ADVICE, WEB TOOLS, AND OTHER INFORMATION AND RESOURCES "AS IS" AND WITH ALL FAULTS. MARKI DISCLAIMS ALL WARRANTIES, EXPRESS OR IMPLIED, INCLUDING, WITHOUT LIMITATION, ANY IMPLIED WARRANTIES OF MERCHANTABILITY, FITNESS FOR A PARTICULAR PURPOSE, OR NON-INFRINGEMENT. These resources are intended for developers skilled in the art designing with Marki products. You are solely responsible for (1) selecting the appropriate products for your application, (2) designing, validating, and testing your application, and (3) ensuring your application meets applicable standards and other requirements. Marki makes no guarantee regarding the suitability of its products for any particular purpose, nor does Marki assume any liability whatsoever arising out of your use or application of any Marki product.

Marki grants you permission to use these resources only for development of an application that uses Marki products. Other reproduction or use of these resources is strictly prohibited. No license is granted to any other Marki intellectual property or to any third-party intellectual property. Marki reserves the right to make changes to the product(s) or information contained herein without notice.

MARKI MICROWAVE and T3 MIXER are trademarks or registered trademarks of Marki Microwave, Inc. All other trademarks used are the property of their respective owners.

© 2024, Marki Microwave, Inc