

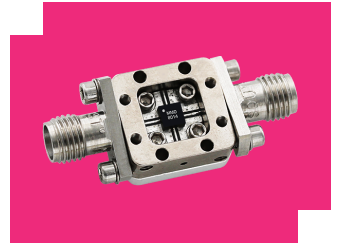
EVB-MMD-0415HP

Evaluation Board, GaAs MMIC 4 - 15 GHz Doubler

DEVICE OVERVIEW

General Description

The EVB-MMD-0415HP is a connectorized evaluation board for the MMD-0415HPSM passive MMIC surface mount 4 - 15 GHz Doubler.



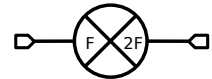
Features

N/A

Applications

N/A

Functional Block Diagram



Part Ordering Options

Part Number	Description	Package	Green Status	Product Lifecycle	Export Classification
MMD-0415HPSM	GaAs MMIC Doubler	QFN	REACH RoHS	Released	EAR99
EVB-MMD-0415HP	Evaluation Board, GaAs MMIC 4 - 15 GHz Doubler	EVB	REACH RoHS	Released	EAR99

EVB-MMD-0415HP

Evaluation Board, GaAs MMIC 4 - 15 GHz Doubler

Table Of Contents

■ **Device Overview**

General Description

Features

Applications

Functional Block Diagram

■ **Specifications**

Package Information

■ **Mechanical Data**

Outline Drawing

■ **Evaluation Board**

Evaluation Board Outline Drawing

EVB-MMD-0415HP

Evaluation Board, GaAs MMIC 4 - 15 GHz Doubler

Specifications

Package Information

Parameter	Details	Rating
Weight	Package name: EVB	10g

EVB-MMD-0415HP

Evaluation Board, GaAs MMIC 4 - 15 GHz Doubler

Mechanical Data

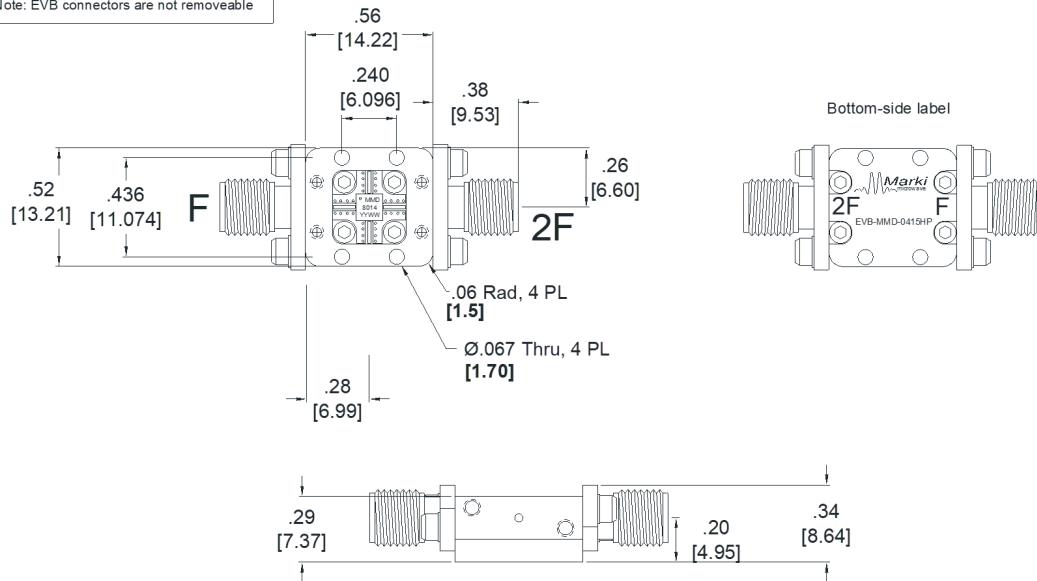
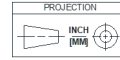
Outline Drawing

Download : [Outline 2D Drawing](#)

Port	Connector Type
F	SMA Female
2F	SMA Female

Note: EVB connectors are not removable

*All measurements are typical

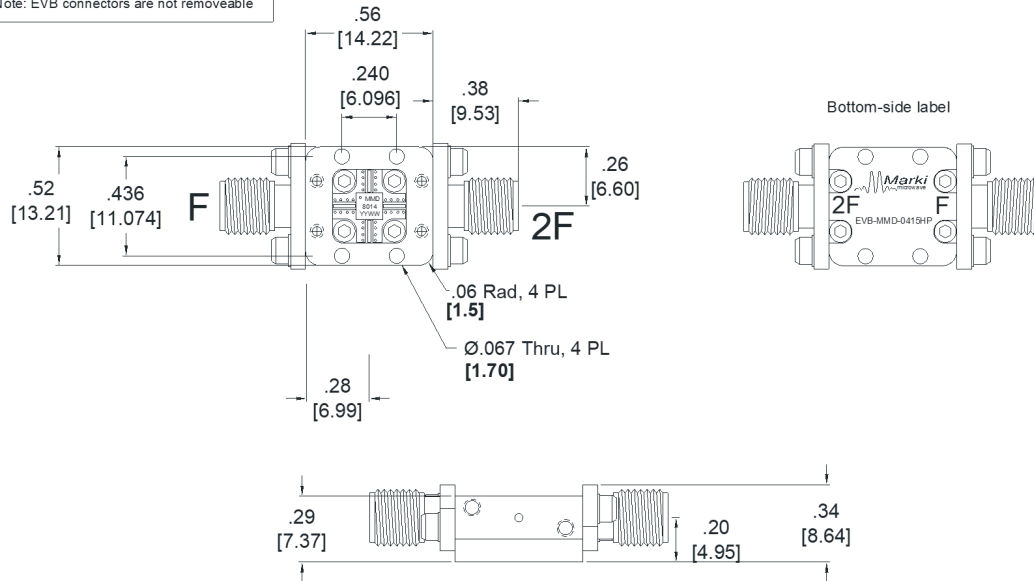
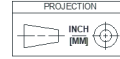


Evaluation Board - Outline Drawing

Port	Connector Type
F	SMA Female
2F	SMA Female

Note: EVB connectors are not removable

*All measurements are typical



DISCLAIMER

MARKI MICROWAVE, INC., ("MARKI") PROVIDES TECHNICAL SPECIFICATIONS AND DATA (INCLUDING DATASHEETS), APPLICATION OR OTHER DESIGN ADVICE, WEB TOOLS, AND OTHER INFORMATION AND RESOURCES "AS IS" AND WITH ALL FAULTS. MARKI DISCLAIMS ALL WARRANTIES, EXPRESS OR IMPLIED, INCLUDING, WITHOUT LIMITATION, ANY IMPLIED WARRANTIES OF MERCHANTABILITY, FITNESS FOR A PARTICULAR PURPOSE, OR NON-INFRINGEMENT.

These resources are intended for developers skilled in the art designing with Marki products. You are solely responsible for (1) selecting the appropriate products for your application, (2) designing, validating, and testing your application, and (3) ensuring your application meets applicable standards and other requirements. Marki makes no guarantee regarding the suitability of its products for any particular purpose, nor does Marki assume any liability whatsoever arising out of your use or application of any Marki product.

Marki grants you permission to use these resources only for development of an application that uses Marki products. Other reproduction or use of these resources is strictly prohibited. No license is granted to any other Marki intellectual property or to any third-party intellectual property. Marki reserves the right to make changes to the product(s) or information contained herein without notice.

MARKI MICROWAVE and T3 MIXER are trademarks or registered trademarks of Marki Microwave, Inc. All other trademarks used are the property of their respective owners.

© 2022 - 2025, Marki Microwave, Inc